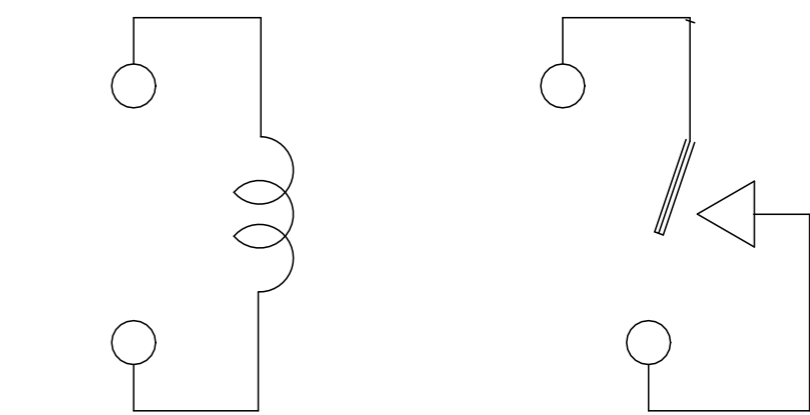
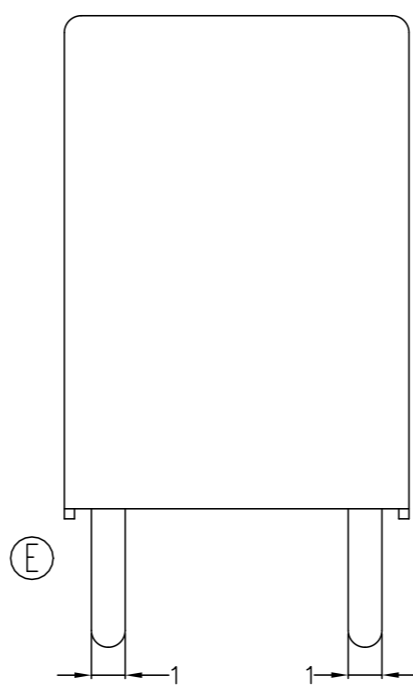
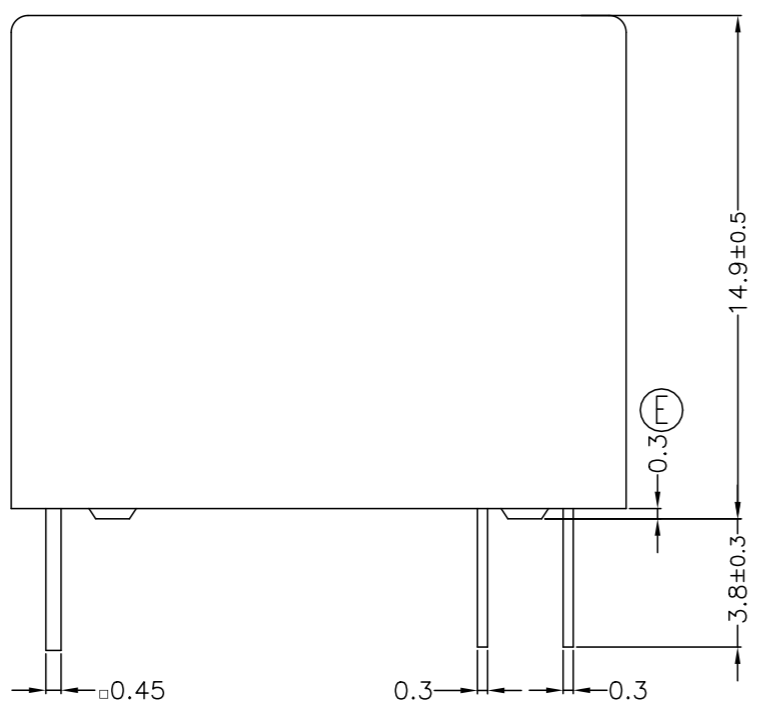


LOC	DIST	REVISIONS			
P	LTR	DESCRIPTION	DATE	DWN	APVD
HB	-				
	E	REMOVED THE RIB ON BASE TO CASE ECO-15-011310	29-Sep-15	YS.H	SM.C
	E1	ADD NEW PN ECO-19-017316	13-Nov-19	WQ.Y	K.T

**TE**  
 T77V1D10-12-02  
 10A 120V ~  
 10A 30V = Res.  
 P&B CHINA  
 LOT No



CONNECTION FIGURE

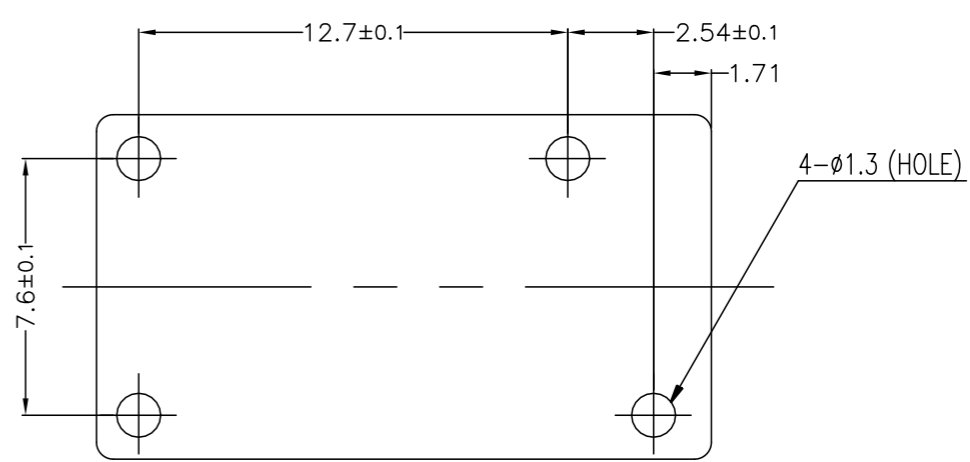
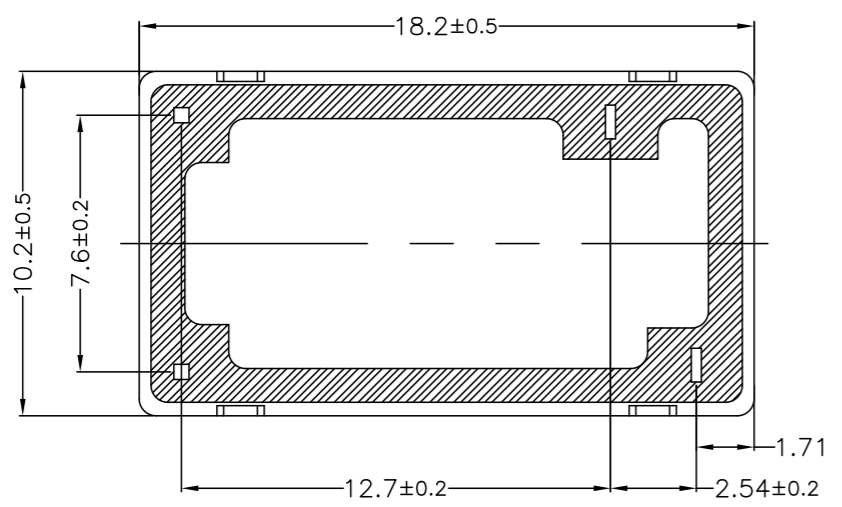


FIGURE FOR PRINTED CIRCUIT BOARD PROCESSING (BOTTOM VIEW)



THIS DRAWING IS A CONTROLLED DOCUMENT.		DWN	Fu Bo		<b>TE</b> TE Connectivity
DIMENSIONS: mm		CHK			
TOLERANCES UNLESS OTHERWISE SPECIFIED:		APVD	CH,HSU		NAME
0 PLC ±-		PRODUCT SPEC			T77*1D10-** CUSTOMER DRAWING
1 PLC ±-		APPLICATION SPEC			
2 PLC ±-		WEIGHT			SIZE
3 PLC ±-		CUSTOMER DRAWING	A3		CAGE CODE
4 PLC ±-			00779		DRAWING NO
ANGLES ±-		1-1393194-9		RESTRICTED TO	
FINISH		SCALE 5:1		SHEET 1 of 2	REV E1

4

3

2

1

THIS DRAWING IS UNPUBLISHED.      RELEASED FOR PUBLICATION      - , -

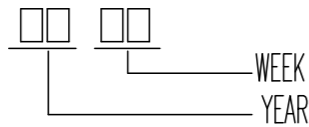
© COPYRIGHT - By - TE CONNECTIVITY      ALL RIGHTS RESERVED.

LOC	DIST	REVISIONS			
P	LTR	DESCRIPTION	DATE	DWN	APVD
HB	-	SEE SHEET 1	-	-	-

107-84030	4-1393194-2	T77V1D10-12	T77V1D10-12	r	E1
107-79010	3-1393194-8	T77V1D10-24-01	T77V1D10-24-01	q	
107-79010	2-1393194-2	T77V1D10-48	T77V1D10-48	p	
107-79010	2-1393194-1	T77V1D10-24	T77V1D10-24	o	
107-79010	2-1393194-0	T77V1D10-18	T77V1D10-18	n	
107-79010	1-1393194-9	T77V1D10-12	T77V1D10-12	m	
107-79010	1440005-1	T77V1D10-09	T77V1D10-09	l	
107-79010	8-1440009-1	T77V1D10-06	T77V1D10-06	k	
107-79010	1-1393194-8	T77V1D10-05	T77V1D10-05	j	
107-79010	1-1393194-7	T77V1D10-03	T77V1D10-03	i	
107-79010	9-1440004-7	T77S1D10-48	T77S1D10-48	h	
107-79010	1-1393194-0	T77S1D10-24	T77S1D10-24	g	
107-79010	9-1440004-5	T77S1D10-18	T77S1D10-18	f	
107-79010	1393194-9	T77S1D10-12	T77S1D10-12	e	
107-79010	1393194-8	T77S1D10-09	T77S1D10-09	d	
107-79010	9-1440004-2	T77S1D10-06	T77S1D10-06	c	
107-79010	1393194-7	T77S1D10-05	T77S1D10-05	b	
107-79010	1393194-6	T77S1D10-03	T77S1D10-03	a	
PACKAGE SPEC.	PART NO	DESCRIPTION	PART A	TYPE	

RELAY TYPE

NOTE  
1.LOT NO SYSTEM AS FOLLOWING:



- 2.TERMINAL DIMENSION IS BEFORE SOLDER DIP;
- 3.FOR THE TIN-PLATING OF THE PINS:  
+0.1mm FOR WIDTH,THICKENSS AND DIAMETER.  
+0.5mm FOR LENGTH.
- 4.MARKING FROM INK TO LASER AND USING WELDED CONTACT

5.ADD LOT NO. SYSTEM AS FOLLOWING;



- I, DIGITS FOR DAY OF THE WEEK  
1...MONDAY IN THIS WEEK;  
2...TUESDAY IN THIS WEEK;  
.....  
7...SUNDAY IN THIS WEEK
- II, DIGITS FOR SHIFT OF THE DAY  
1...DAY SHIFT IN THIS DAY;  
2...NIGHT SHIFT IN THIS DAY;
- III, ONE CHARACTER DISTINGUISH THE LINE IDENTITY, SUCH AS: A,B,....Z

		EPOXY RESIN	SEAL (BASE & BOBBIN)	15
		MW79	MAGNETIC WIRE	14
94V-0		P.B.T	CASE	13
94V-0		P.B.T	BASE	12
94VHB		P.B.T	BOBBIN	11
	SOLDER DIP	C.P WIRE	COIL TERMINAL	10
94V-0		P.P.S	CARD	9
		Ag ALLOY	MOVABLE CONTACT	8
		Ag	NO.CONTACT	7
		STEEL	HINGE SPRING	6
	SOLDER DIP	CU ALLOY	NO.TERMINAL	5
	SOLDER DIP	CU ALLOY	MOVABLE SPRING	4
	NIP	STEEL	CORE	3
	NIP	STEEL	ARMATURE	2
	NIP	STEEL	YOKE	1
INCOMBUSTIBILITY	TREATMENT	MATERIAL	DESCRIPTION	ITEM

THIS DRAWING IS A CONTROLLED DOCUMENT.		DWN	Fu Bo	-		TE Connectivity		
DIMENSIONS: mm		CHK	Xiaoning.Zhang	-		NAME		
TOLERANCES UNLESS OTHERWISE SPECIFIED:		APVD	CH,HSU	-		T77*1D10-** CUSTOMER DRAWING		
		PRODUCT SPEC	-	-		APPLICATION SPEC		
MATERIAL		WEIGHT	-	-	SIZE	CAGE CODE	DRAWING NO	RESTRICTED TO
FINISH		CUSTOMER DRAWING		A3	00779	C=	1-1393194-9	-
				SCALE	5:1	SHEET	2 of 2	REV E1