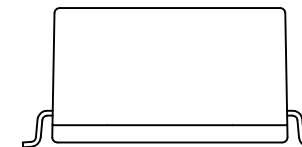
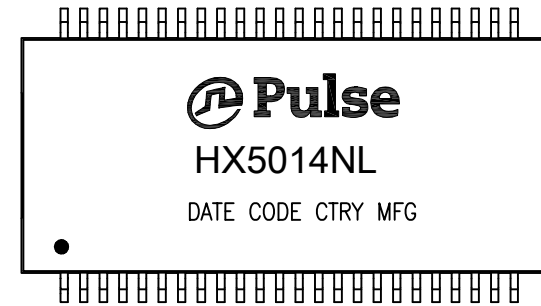


NOTES:

1. ROHS COMPLIANT
2. HEADER: THERMOSET PLASTIC MATERIAL WITH FLAMMABILITY RATING UL 94V-0 OR BETTER.
3. STORAGE TEMPERATURE: -50°C TO +125°C
4. COMPLIANCE TO J-STD:
 - A. J-STD-002: SOLDERABILITY AT 245°C REFLOW PROFILE
 - B. J-STD-020: LEVEL 1, NO MOISTURE SENSITIVE
 - C. J-STD-075: R7, 245°C MAXIMUM THROUGH REFLOW SOLDER
5. TO ORDER TAPE & REEL PACKAGING ADD A "T" SUFFIX TO THE PART NUMBER(i.e HX5014NL BECOMES HX5014NLT).

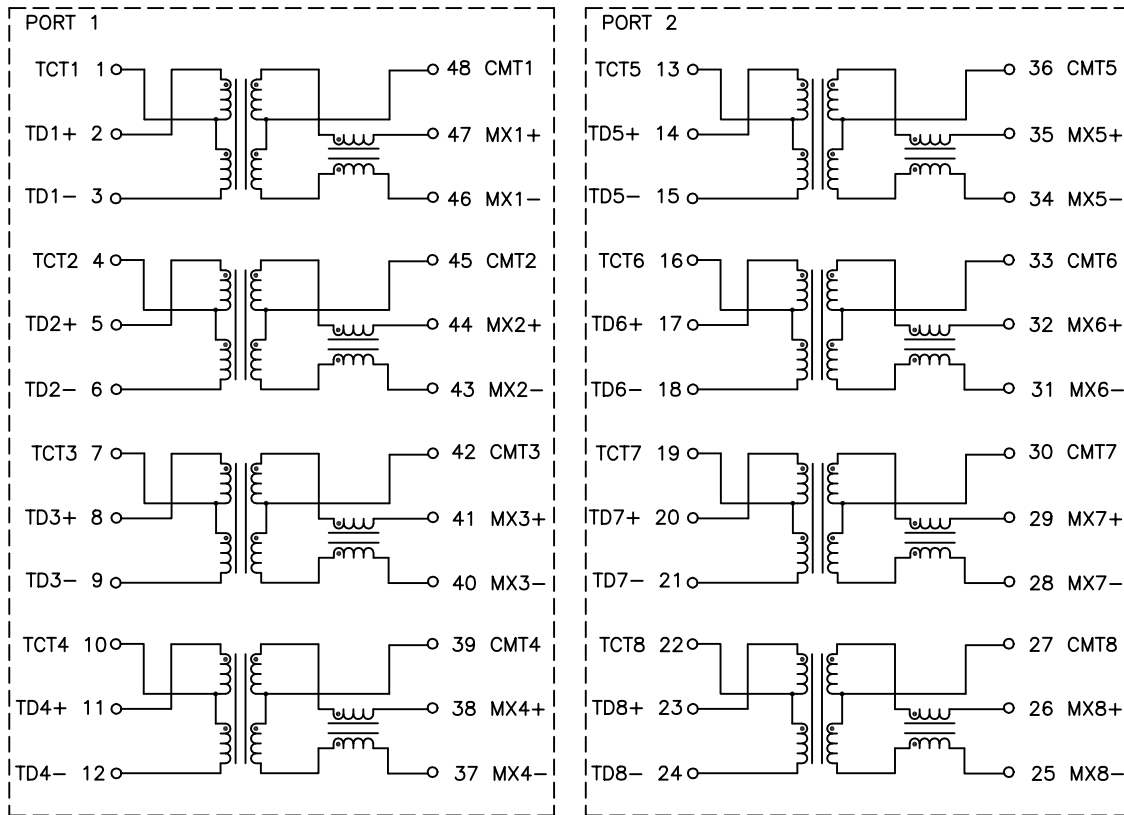


FINAL OUTLINE

© Copyright, 2015. Pulse Electronics Corp. All rights reserved. Pulse confidential & proprietary. (07/30/15)

| PRODUCT DESCRIPTION | TLA DRAWING | PS DRAWING | SHEET | PART NO. | DATASHEET REV. |
|------------------------|-------------|---------------|--------|----------|----------------|
| MDL,DUAL,1GD,1:1,SM,TU | HX5014NL-12 | PS-2007.001-C | 1 OF 3 | HX5014NL | A |

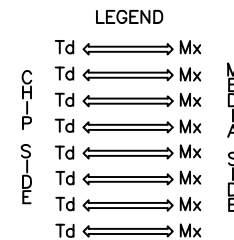
ELECTRICAL CHARACTERISTICS AT +25°C UNLESS OTHER SPECIFIED
MEETS IEEE 802.3 SPECIFICATION



SCHEMATIC

| PARAMETER | SPECIFICATIONS | |
|---|---|--|
| OPERATING TEMP | -40°C ~ +85°C | |
| URNS RATIO | 1.0 ± 2% | |
| POLARITY | PER SCHEMATIC | |
| INSERTION LOSS | 100 KHz | 1-125 MHz |
| | -1.2 dB MAX | -0.2-0.002*f ^{1.4} dB MAX |
| RETURN LOSS (Z OUT = 100 OHM ±15%) | .1-40 MHz | 40-100 MHz |
| | -16 dB MIN | -10+20*LOG ₁₀ (f/80 MHz) dB MIN |
| INDUCTANCE (OCL) (MEDIA SIDE, -40°C~+85°C) | 350 uH MIN (MEASURED AT 100 KHz, 100 mVRMS AND WITH 8 mA DC BIAS) | |
| CROSSTALK, ADJACENT CHANNELS | 1 MHz | 10-100 MHz |
| | -50 dB MIN | -55+22*LOG ₁₀ (f/10) dB MIN |
| COMMON MODE REJECTION RATIO | 2 MHz | 30-200 MHz |
| | -50 dB MIN | -15+20*LOG ₁₀ (f/200) dB MIN |
| DC RESISTANCE, 1/2 WINDING | .65 OHMS MAX | |
| DC RESISTANCE IMBALANCE | ±.065 OHMS MAX (CENTER TAP SYMMETRY) | |
| INPUT - OUTPUT ISOLATION | 1500 VRMS MIN @ 60 SECONDS | |

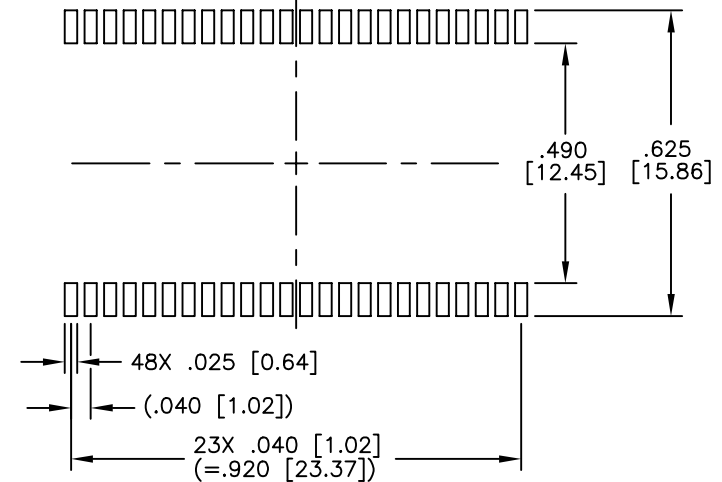
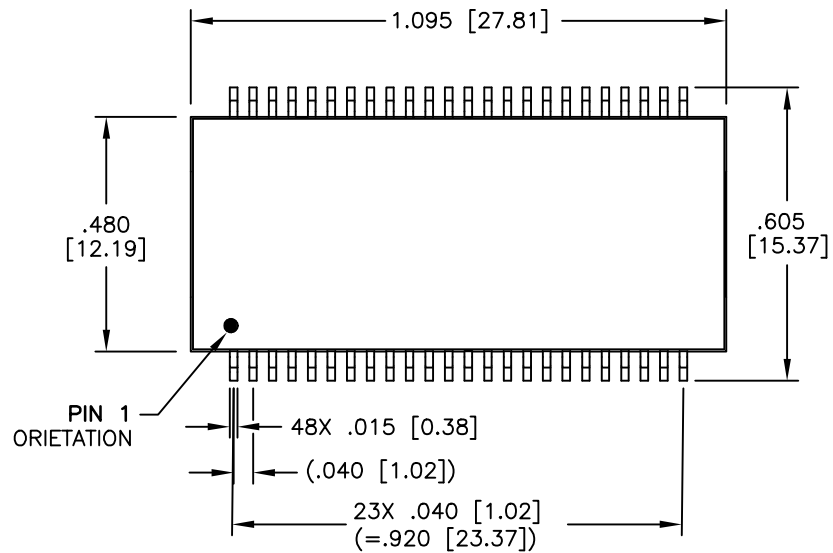
NOTE: f IS FREQUENCY IN MHZ.



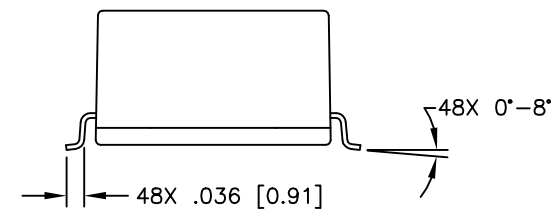
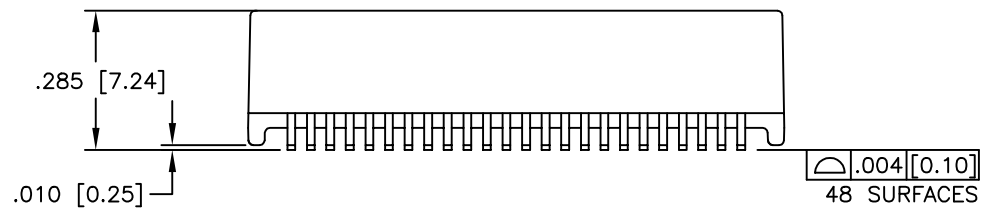
ALL CHANNELS ARE IN PHASE BETWEEN INPUT AND OUTPUT

© Copyright, 2015. Pulse Electronics Corp. All rights reserved. Pulse confidential & proprietary. (07/30/15)

| PRODUCT DESCRIPTION | TLA DRAWING | PS DRAWING | SHEET | PART NO. | DATASHEET REV. |
|------------------------|-------------|---------------|--------|----------|----------------|
| MDL,DUAL,1GD,1:1,SM,TU | HX5014NL-12 | PS-2007.001-C | 2 OF 3 | HX5014NL | A |



SUGGESTED LAND PATTERN



DIMENSIONS ARE IN INCHES [MILLIMETERS] WITH THE FOLLOWING TOLERANCES: [MILLIMETERS] ARE FOR REFERENCE ONLY.
.XX= ±.02 [±0.5]
.XXX= ±.010 [±0.25]

© Copyright, 2015. Pulse Electronics Corp. All rights reserved. Pulse confidential & proprietary. (07/30/15)

| PRODUCT DESCRIPTION | TLA DRAWING | PS DRAWING | SHEET | PART NO. | DATASHEET REV. |
|------------------------|-------------|---------------|--------|----------|----------------|
| MDL,DUAL,1GD,1:1,SM,TU | HX5014NL-12 | PS-2007.001-C | 3 OF 3 | HX5014NL | A |