

# 1A, LI-ION, LI-POL BATTERY CHARGER WITH ADJUSTABLE BATTERY VOLTAGE

## FEATURES

- Pin Select Battery Voltage (4.06V/4.2V)
- Integrated Power FET and Current Sensor for Up to 1A Charge Applications From AC Adapter
- Precharge Conditioning With Safety Timer
- Charge and Power-Good Status Output
- Automatic Sleep Mode for Low Power Consumption
- Integrated Charge-Current Monitor
- Fixed 7-Hour Fast Charge Safety Timer
- Ideal for Low-Dropout Charger Designs for Single-Cell Li-Ion or Li-Pol Packs in Space-Limited Portable Applications
- Small 3-mm × 3-mm SON Package

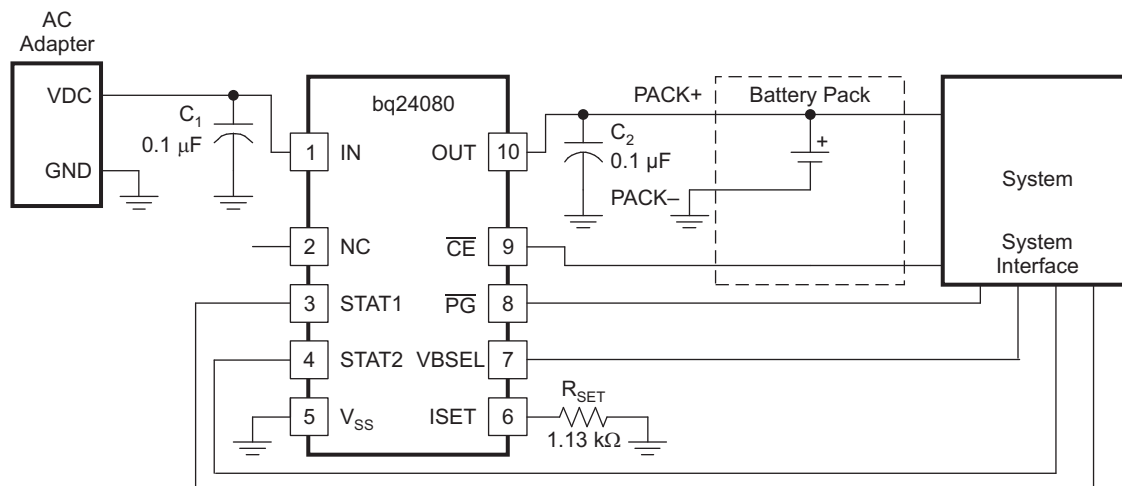
## DESCRIPTION

The bq24083 is highly integrated and flexible Li-Ion linear charge device targeted at space-limited charger applications. It offers an integrated power FET and current sensor, high-accuracy current and voltage regulation, charge status, and charge termination, in a single monolithic device. An external resistor sets the magnitude of the charge current. The bq24083 has an option of two output battery charge voltages: 4.06 V and 4.2 V.

The device charges the battery in three phases: conditioning, constant current, and constant voltage. Charge is terminated based on minimum current. An internal charge timer provides a backup safety for charge termination. The device automatically restarts the charge if the battery voltage falls below an internal threshold. The device automatically enters sleep mode when the ac adapter is removed.

## APPLICATIONS

- PDAs, MP3 Players
- Digital Cameras
- Internet Appliances
- Smartphones



Please be aware that an important notice concerning availability, standard warranty, and use in critical applications of Texas Instruments semiconductor products and disclaimers thereto appears at the end of this data sheet.

PowerPAD is a trademark of Texas Instruments.



These devices have limited built-in ESD protection. The leads should be shorted together or the device placed in conductive foam during storage or handling to prevent electrostatic damage to the MOS gates.

### ORDERING INFORMATION

T <sub>J</sub>	CHARGE REGULATION VOLTAGE (V)	FUNCTIONS	FAST-CHARGE TIMER (HOURS)	PART NUMBER <sup>(1)(2)</sup>	MARKINGS
–40°C to 125°C	4.2/ 4.06	$\overline{CE}$ , $\overline{PG}$ , and VBSEL	7	bq24083DRCT	CFZ
				bq24083DRCR	

(1) The DRC package is available taped and reeled only in quantities of 3,000 devices per reel.

(2) For the most current package and ordering information, see the Package Option Addendum at the end of this document, or see the TI Web site at [www.ti.com](http://www.ti.com).

### DISSIPATION RATINGS

PACKAGE	R <sub>θJA</sub>	R <sub>θJC</sub>	T <sub>A</sub> < 40°C POWER RATING	DERATING FACTOR ABOVE T <sub>A</sub> = 40°C
DRC <sup>(1)</sup>	46.87 °C/W	4.95 °C/W	1.5 W	0.021 W/°C

(1) This data is based on using the JEDEC High-K board and the exposed die pad is connected to a copper pad on the board. This is connected to the ground plane by a 2- x 3-via matrix.

### ABSOLUTE MAXIMUM RATINGS

over operating free-air temperature range unless otherwise noted <sup>(1)</sup>

		VALUE	UNIT	
V <sub>I</sub>	Input voltage <sup>(2)</sup>	IN, $\overline{CE}$ , ISET, OUT, $\overline{PG}$ , STAT1, STAT2, VBSEL	–0.3 to 7	V
	Output sink/source current	STAT1, STAT2, $\overline{PG}$	15	mA
	Output current	OUT	1.5	A
T <sub>A</sub>	Operating free-air temperature range	–40 to 125		°C
T <sub>J</sub>	Junction temperature range			°C
T <sub>stg</sub>	Storage temperature	–65 to 150		°C

(1) Stresses beyond those listed under absolute maximum ratings may cause permanent damage to the device. These are stress ratings only, and functional operation of the device at these or any other conditions beyond those indicated under recommended operating conditions is not implied. Exposure to absolute-maximum-rated conditions for extended periods may affect device reliability.

(2) All voltages are with respect to V<sub>SS</sub>.

### RECOMMENDED OPERATING CONDITIONS

		MIN	MAX	UNIT
V <sub>CC</sub>	Supply voltage	4.5	6.5	V
T <sub>J</sub>	Operating junction temperature range	0	125	°C

## ELECTRICAL CHARACTERISTICS

over  $0^{\circ}\text{C} \leq T_J \leq 125^{\circ}\text{C}$  and recommended supply voltage (unless otherwise noted)

PARAMETER		TEST CONDITIONS	MIN	TYP	MAX	UNIT
<b>INPUT CURRENT</b>						
$I_{CC(VCC)}$	$V_{CC}$ current	$V_{CC} > V_{CC(\text{min})}$		1.2	2	mA
$I_{CC(\text{SLP})}$	Sleep current	Sum of currents into OUT pin, $V_{CC} < V_{(\text{SLP})}$		2	5	μA
$I_{CC(\text{STBY})}$	Standby current	$\overline{\text{CE}} = \text{High}$ , $0^{\circ}\text{C} \leq T_J \leq 85^{\circ}\text{C}$			150	
$I_{B(\text{OUT})}$	Input current on OUT pin	Charge DONE, $V_{CC} > V_{CC(\text{MIN})}$		1	5	
<b>VOLTAGE REGULATION</b> $V_{O(\text{REG})} + V_{(\text{DO-MAX})} \leq V_{CC}$ , $I_{(\text{TERM})} < I_{O(\text{OUT})} \leq 1 \text{ A}$						
$V_{O(\text{REG})}$	Output voltage	VBSEL = HI		4.06		V
		VBSEL = LO		4.2		
	Voltage regulation accuracy	$T_A = 25^{\circ}\text{C}$	-0.35%		0.35%	
			-1%		1%	
$V_{(\text{DO})}$	Dropout voltage ( $V_{(\text{IN})} - V_{(\text{OUT})}$ )	$V_{O(\text{OUT})} = V_{O(\text{REG})}$ , $I_{O(\text{OUT})} = 1 \text{ A}$ $V_{O(\text{REG})} + V_{(\text{DO})} \leq V_{CC}$		350	500	mV
<b>CURRENT REGULATION</b>						
$I_{O(\text{OUT})}$	Output current range <sup>(1)</sup>	$V_{I(\text{OUT})} > V_{(\text{LOWV})}$ , $V_{I(\text{IN})} - V_{I(\text{OUT})} > V_{(\text{DO})}$ , $V_{CC} \geq 4.5 \text{ V}$	50		1000	mA
$V_{(\text{SET})}$	Output current set voltage	Voltage on ISET pin, $V_{CC} \geq 4.5 \text{ V}$ , $V_I \geq 4.5 \text{ V}$ , $V_{I(\text{OUT})} > V_{(\text{LOWV})}$ , $V_I - V_{I(\text{OUT})} > V_{(\text{DO})}$	2.463	2.5	2.538	V
$K_{(\text{SET})}$	Output current set factor	$50 \text{ mA} \leq I_{O(\text{OUT})} \leq 1 \text{ A}$	307	322	337	
		$10 \text{ mA} \leq I_{O(\text{OUT})} < 50 \text{ mA}$	296	320	346	
		$1 \text{ mA} \leq I_{O(\text{OUT})} < 10 \text{ mA}$	246	320	416	
<b>PRECHARGE AND SHORT-CIRCUIT CURRENT REGULATION</b>						
$V_{(\text{LOWV})}$	Precharge to fast-charge transition threshold	Voltage on OUT pin	2.8	3	3.2	V
	Deglintch time for fast-charge to precharge transition	$V_{CC(\text{MIN})} \geq 4.5 \text{ V}$ , $t_{\text{FALL}} = 100 \text{ ns}$ , 10-mV overdrive, $V_{I(\text{OUT})}$ decreasing below threshold	250	375	500	ms
$I_{O(\text{PRECHG})}$	Precharge range <sup>(2)</sup>	$0 \text{ V} < V_{I(\text{OUT})} < V_{(\text{LOWV})}$ , $t < t_{(\text{PRECHG})}$	5		100	mA
$V_{(\text{PRECHG})}$	Precharge set voltage	Voltage on ISET pin, $V_{O(\text{REG})} = 4.2 \text{ V}$ , $0 \text{ V} < V_{I(\text{OUT})} > V_{(\text{LOWV})}$ , $t < t_{(\text{PRECHG})}$	240	255	270	mV
<b>TERMINATION DETECTION</b>						
$I_{(\text{TERM})}$	Charge termination detection range <sup>(3)</sup>	$V_{I(\text{OUT})} > V_{(\text{RCH})}$ , $t < t_{(\text{TRMDET})}$	5		100	mA
$V_{(\text{TERM})}$	Charge termination detection set voltage	Voltage on ISET pin, $V_{O(\text{REG})} = 4.2 \text{ V}$ , $V_{I(\text{OUT})} > V_{(\text{RCH})}$ , $t < t_{(\text{TRMDET})}$	235	250	265	mV
$t_{\text{TRMDET}}$	Deglintch time for termination detection	$V_{CC(\text{MIN})} \geq 4.5 \text{ V}$ , $t_{\text{FALL}} = 100 \text{ ns}$ charging current decreasing below 10-mV overdrive	250	375	500	ms

(1) See Equation 2 in the Function Description section.

(2) See Equation 1 in the Function Description section.

(3) See Equation 4 in the Function Description section.

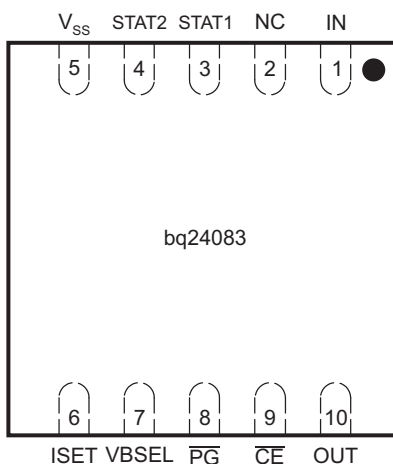
**ELECTRICAL CHARACTERISTICS (continued)**

 over  $0^{\circ}\text{C} \leq T_J \leq 125^{\circ}\text{C}$  and recommended supply voltage (unless otherwise noted)

PARAMETER		TEST CONDITIONS	MIN	TYP	MAX	UNIT
<b>BATTERY RECHARGE THRESHOLD</b>						
$V_{(RCH)}$	Recharge threshold		$V_{O(REG)} - 0.115$	$V_{O(REG)} - 0.10$	$V_{O(REG)} - 0.085$	V
$t_{(DEGL)}$	Deglintch time for recharge detect	$V_{CC(MIN)} \geq 4.5\text{ V}$ , $t_{FALL} = 100\text{ ns}$ decreasing below or increasing above threshold, 10-mV overdrive	250	375	500	ms
<b>STAT1, STAT2, and <math>\overline{\text{PG}}</math> OUTPUTS</b>						
$V_{OL}$	Low-level output saturation voltage	$I_O = 5\text{ mA}$			0.25	V
<b>VBSEL, <math>\overline{\text{CE}}</math> and <math>\overline{\text{TE}}</math> INPUTS</b>						
$V_{IL}$	Low-level input voltage		0		0.4	V
$V_{IH}$	High-level input voltage		1.4			
$I_{IL}$	$\overline{\text{CE}}$ and $\overline{\text{TE}}$ low-level input current		-1			$\mu\text{A}$
$I_{IH}$	$\overline{\text{CE}}$ and $\overline{\text{TE}}$ high-level input current				1	
$I_{iL}$	VBSEL low-level input current	VBSEL = 0 (LOW)	-20			$\mu\text{A}$
$I_{iH}$	VBSEL high-level input current	VBSEL = $V_{CC}$ (HI)			40	
<b>TIMERS</b>						
$t_{(PRECHG)}$	Precharge time		1,584	1,800	2,016	s
$t_{(CHG)}$	Charge time		22,176	25,200	28,224	s
$I_{(FAULT)}$	Timer fault recovery current			200		$\mu\text{A}$
<b>SLEEP COMPARATOR</b>						
$V_{(SLP)}$	Sleep-mode entry threshold voltage	$2.3\text{ V} \leq V_{I(OUT)} \leq V_{O(REG)}$	$V_{CC} \leq V_{I(OUT)} + 80\text{ mV}$			V
$V_{(SLPEXIT)}$	Sleep-mode exit threshold voltage		$V_{CC} \geq V_{I(OUT)} + 190$			
	Sleep-mode entry deglintch time	$V_{(IN)}$ decreasing below threshold, $t_{FALL} = 100\text{ ns}$ , 10-mV overdrive	250	375	500	ms
<b>THERMAL SHUTDOWN THRESHOLDS</b>						
$T_{(SHTDWN)}$	Thermal trip threshold	$T_J$ increasing	165			$^{\circ}\text{C}$
	Thermal hysteresis		15			
<b>UNDERVOLTAGE LOCKOUT</b>						
UVLO	Undervoltage lockout	Decreasing $V_{CC}$	2.4	2.5	2.6	V
	Hysteresis		27			mV

## PIN CONFIGURATION

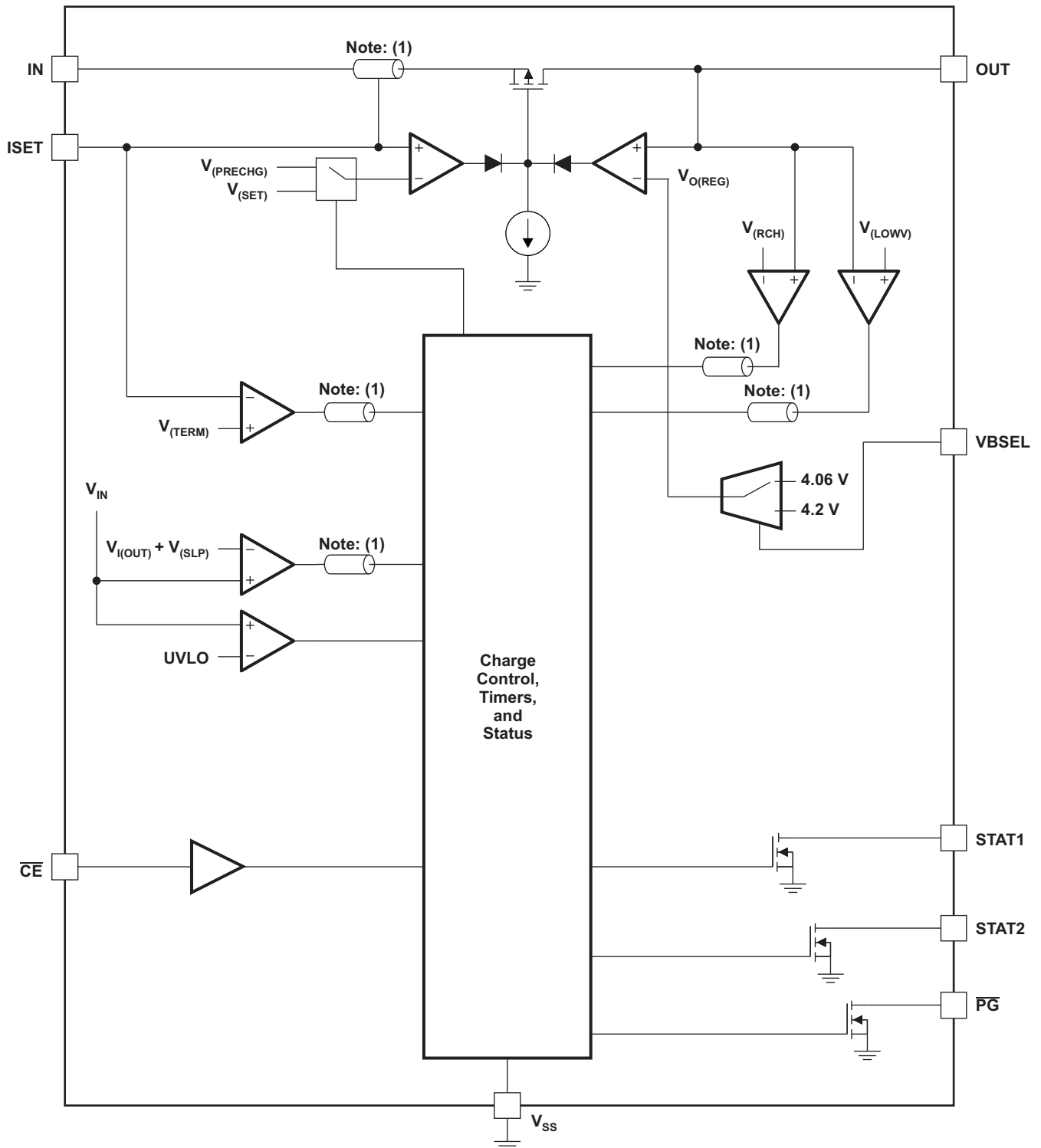
### DRC PACKAGE (TOP VIEW)



## TERMINAL FUNCTIONS

TERMINAL		I/O	DESCRIPTION
NAME	NO.		
$\overline{\text{CE}}$	9	I	Charge enable input (active-low)
N.C.	2	–	No Connection. Leave this pin unconnected. Used for internal test purposes.
IN	1	I	Adapter dc voltage. Connect minimum 0.1- $\mu\text{F}$ capacitor to $V_{\text{SS}}$ .
ISET	6	I	Charge current. External resistor to $V_{\text{SS}}$ sets precharge and fast-charge current, and also the termination current value. Can be used to monitor the charge current.
OUT	10	O	Charge current output. Connect minimum 0.1- $\mu\text{F}$ capacitor to $V_{\text{SS}}$ .
$\overline{\text{PG}}$	8	O	Power-good status output (open-drain)
STAT1	3	O	Charge status outputs (open-drain)
STAT2	4	O	
VBSEL	7	I	Voltage output selection. (HI = 4.06 V, LO = 4.2 V)
$V_{\text{SS}}$	5	–	Ground
Thermal pad	–	–	There is an internal electrical connection between the exposed thermal pad and the VSS pin of the device. The exposed thermal pad must be connected to the same potential as the VSS pin on the printed-circuit board. <b>Do not use the thermal pad as the primary ground input for the device.</b> The VSS pin must be connected to ground at all times.

FUNCTIONAL BLOCK DIAGRAM



(1) Signal deglitched

### TYPICAL CHARACTERISTICS DROPOUT VOLTAGE vs JUNCTION TEMPERATURE

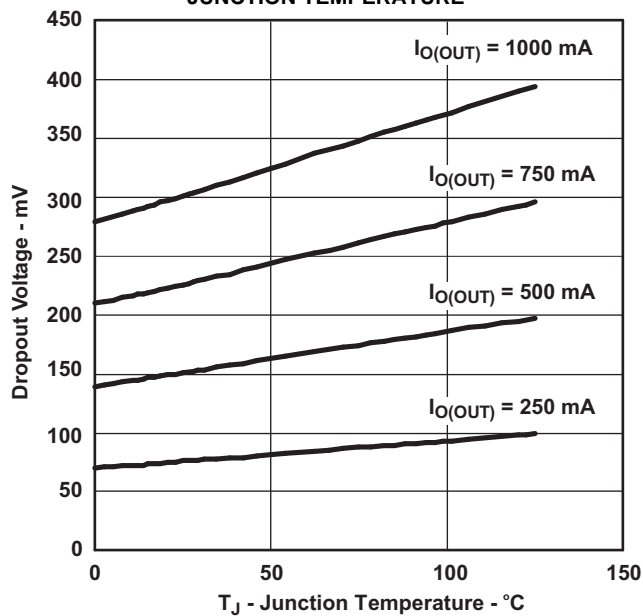


Figure 1.

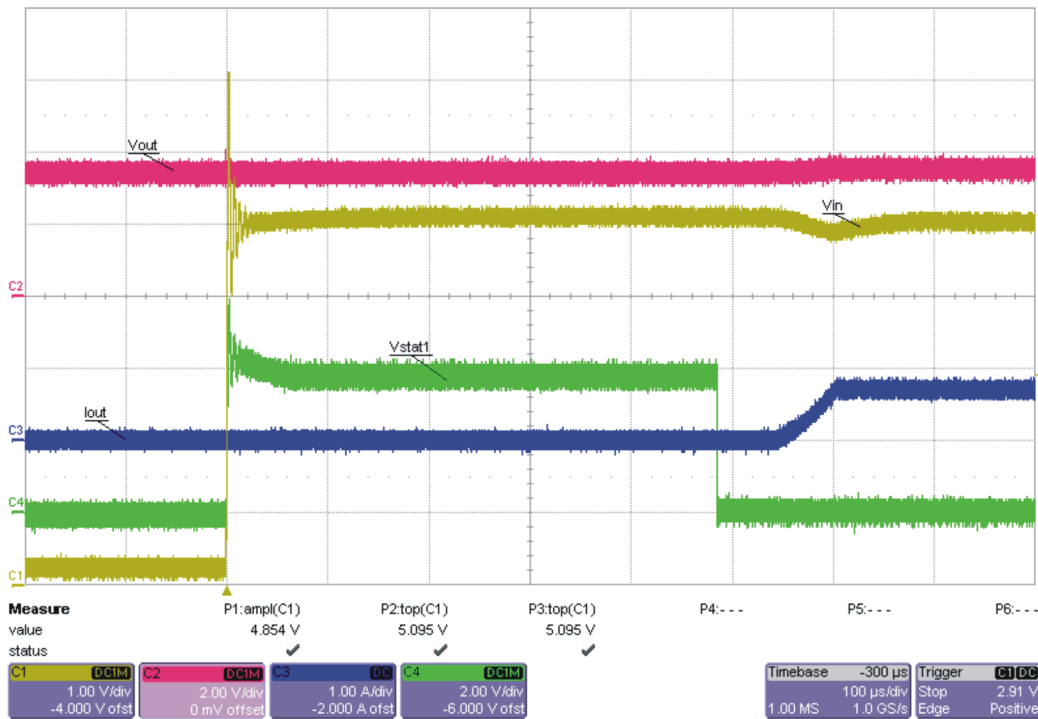


Figure 2.  $V_{IN}$  Hot-Plug Power-Up Sequence

C001

TYPICAL CHARACTERISTICS (continued)

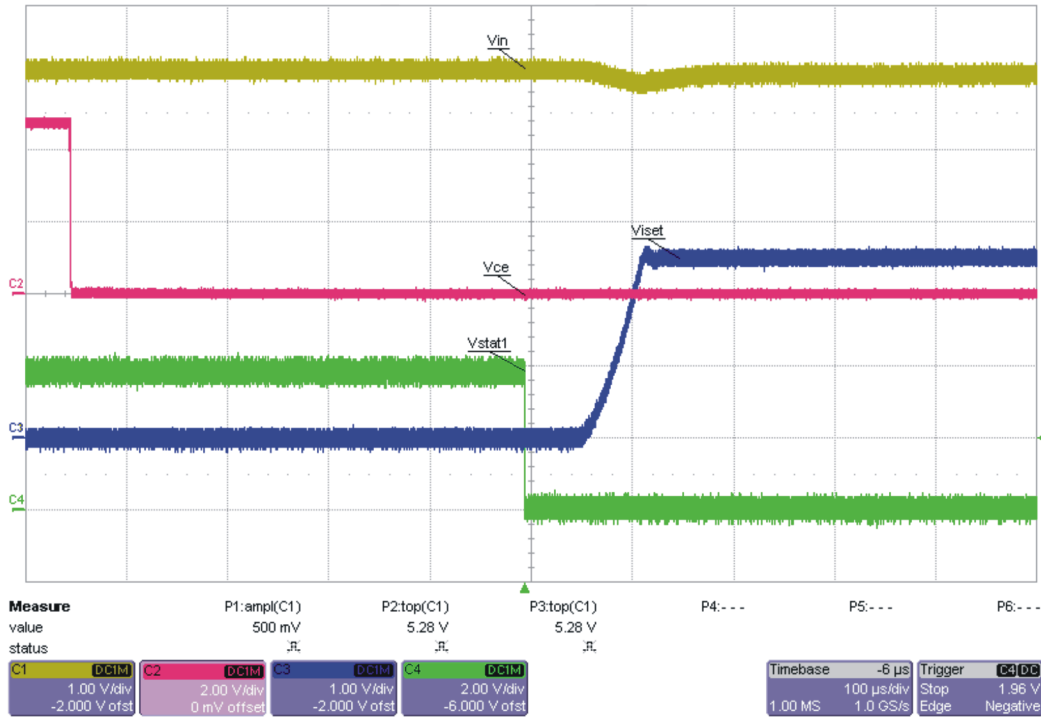


Figure 3. Charge Enable Power-Up Sequence ( $\overline{CE}$  = High-to-Low)

C002

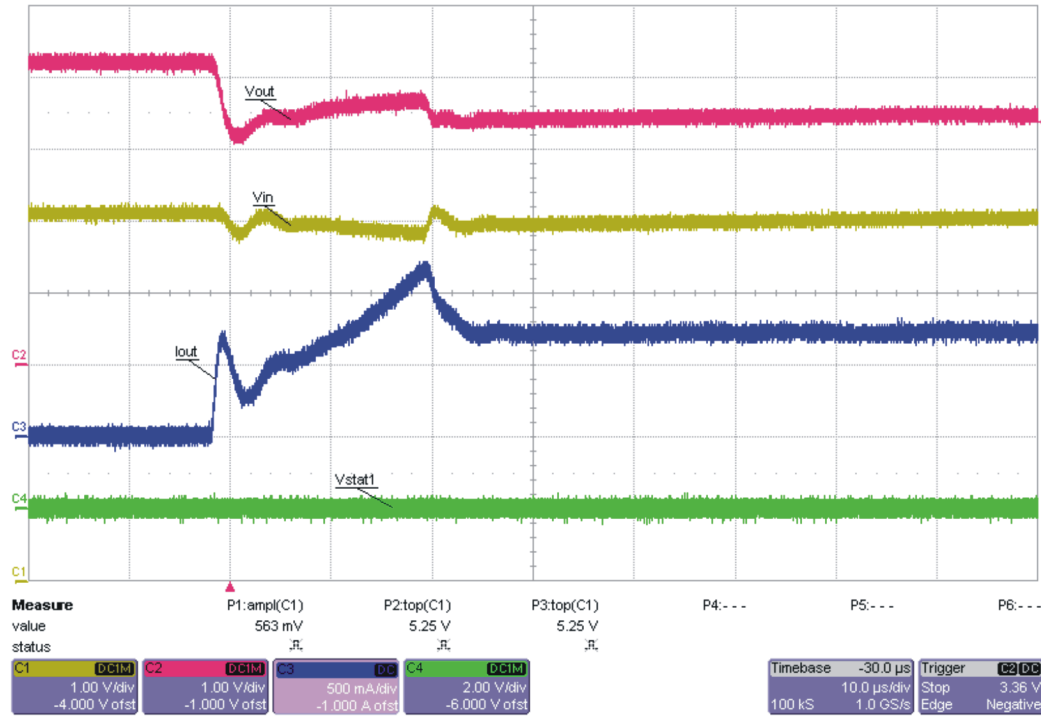
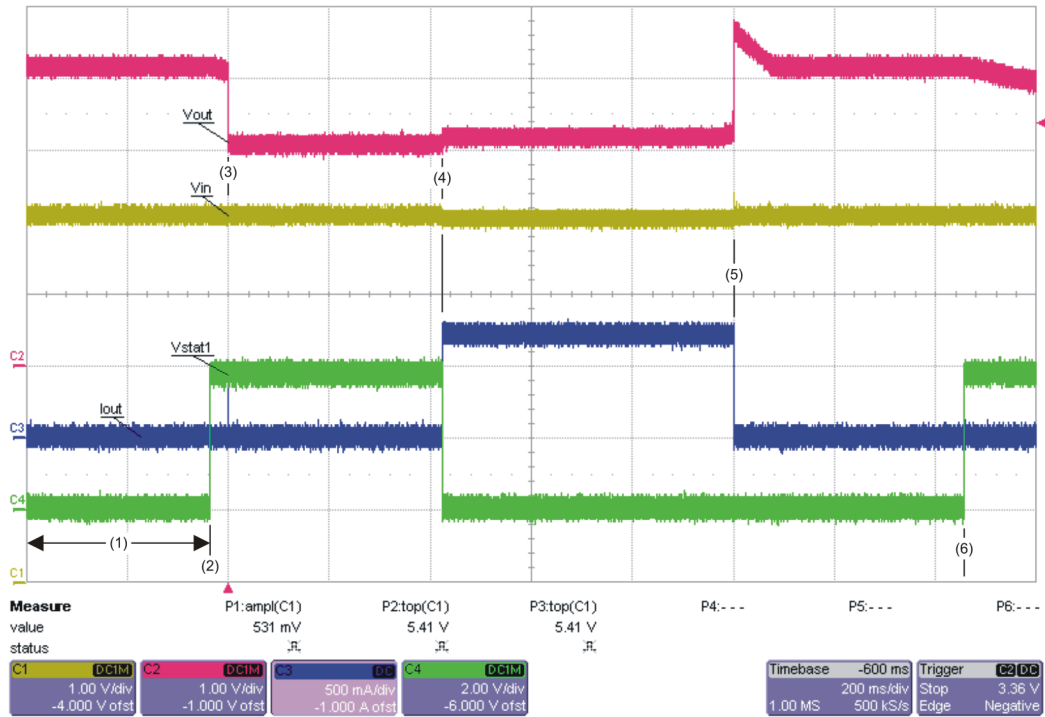


Figure 4. Battery Hot-Plug During Charging Phase

C003



TYPICAL CHARACTERISTICS (continued)



C004

- (1) No battery – In termination deglitch prior to STAT1 going high.  $V_{OUT}$  ( $V_{BAT}$ ) cycling between *charge* and *done* prior to screen capture.
- (2) Stat1 goes high – In *done* state
- (3) 2-V battery is inserted during the *charge done* state.
- (4) Charging is initiated – STAT1 goes low and charge current is applied.
- (5) Battery is removed –  $V_{OUT}$  goes into regulation,  $I_{OUT}$  goes to zero, and termination deglitch timer starts running (same as state 1).
- (6) Deglitch timer expires – *charge done* is declared.

Figure 5. Battery Hot-Plug and Removal Power Sequence

### FUNCTIONAL DESCRIPTION

The device supports a precision Li-Ion, Li-Pol charging system suitable for single cells. [Figure 6](#) shows a typical charge profile, and [Figure 7](#) shows an operational flow chart.

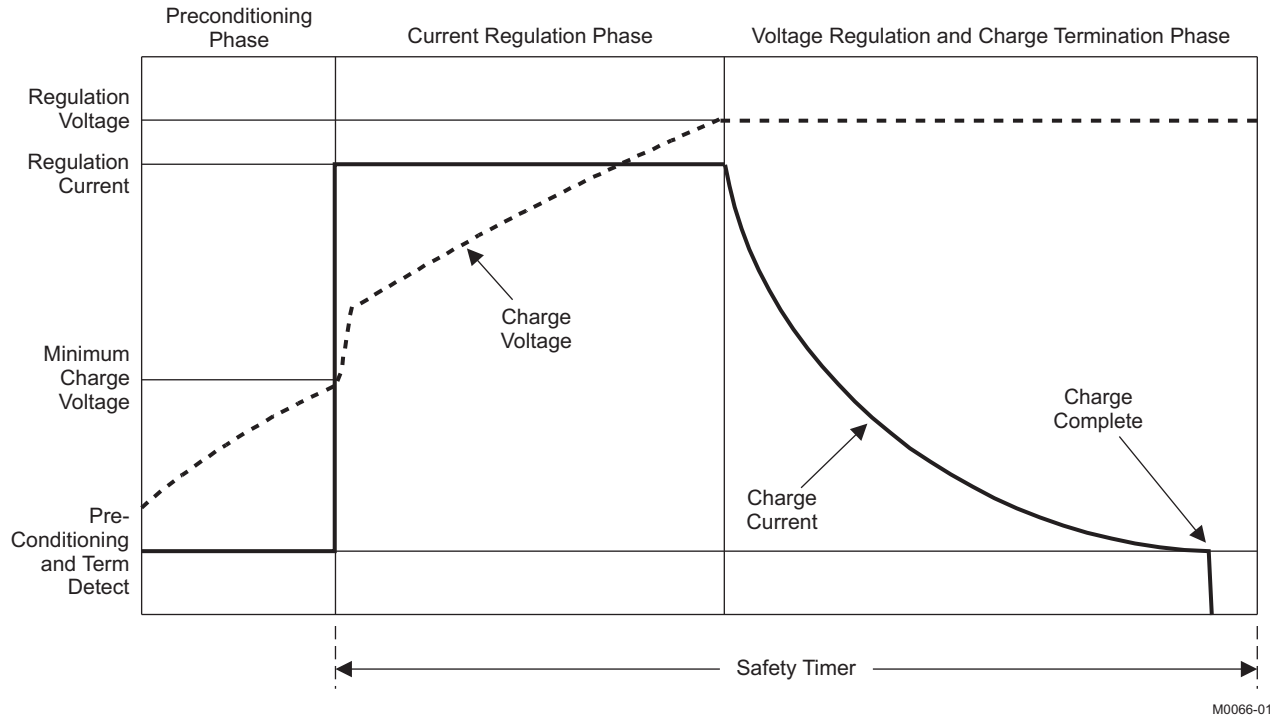
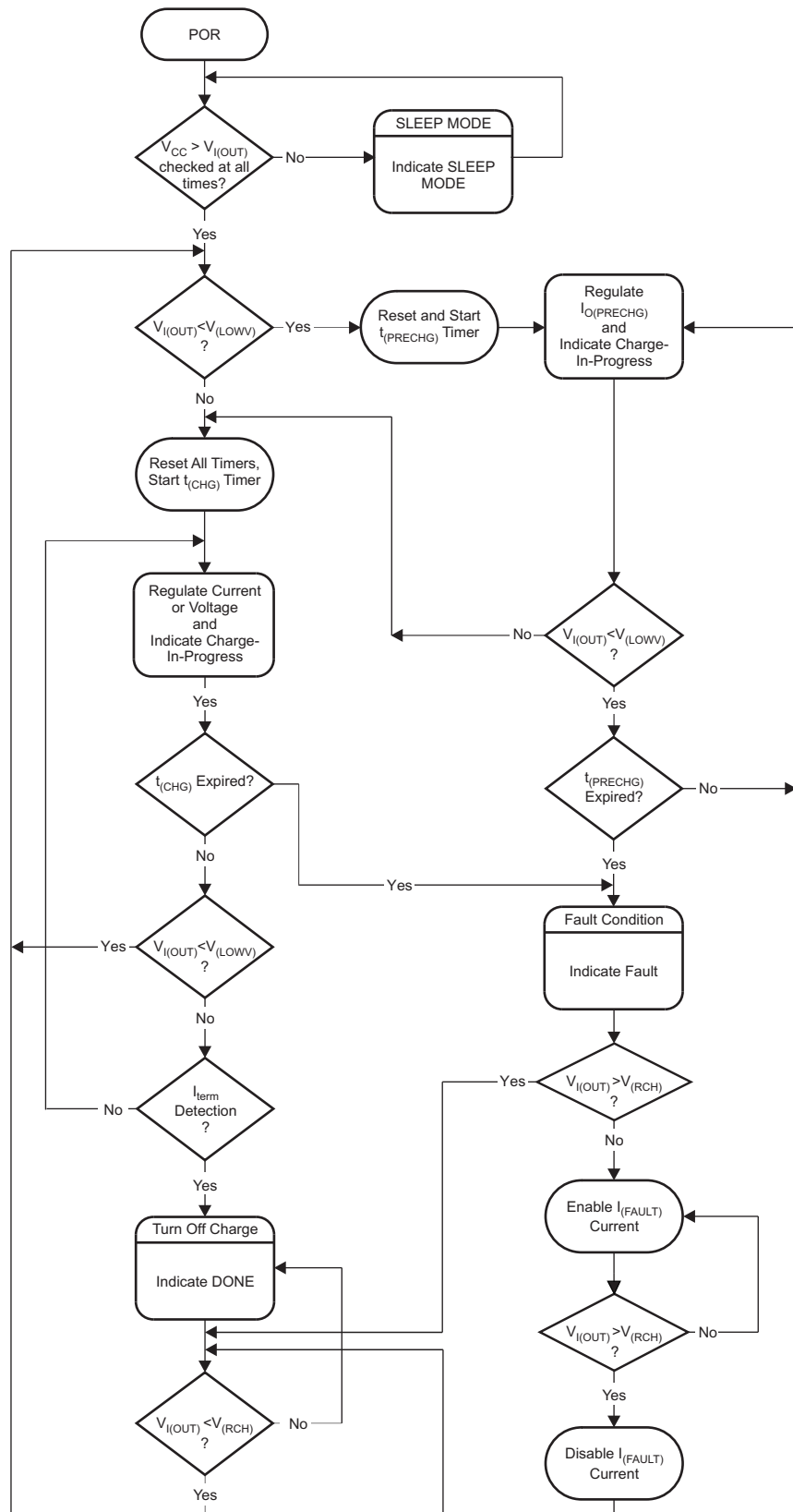


Figure 6. Typical Charging Profile



F0018-01

Figure 7. Operational Flow Chart

## Battery Preconditioning

During a charge cycle, if the battery voltage is below the  $V_{(LOWV)}$  threshold, the device applies a precharge current,  $I_{O(PRECHG)}$ , to the battery. This feature revives deeply discharged cells. Resistor  $R_{SET}$ , connected between the ISET and  $V_{SS}$ , determines the precharge rate. The  $V_{(PRECHG)}$  and  $K_{(SET)}$  parameters are specified in the *Electrical Characteristics* table.

$$I_{O(PRECHG)} = \frac{K_{(SET)} \times V_{(PRECHG)}}{R_{SET}} \quad (1)$$

The device activates a safety timer,  $t_{(PRECHG)}$ , during the conditioning phase. If the  $V_{(LOWV)}$  threshold is not reached within the timer period, the device turns off the charger and enunciates FAULT on the STATx pins. See the *Timer Fault Recovery* section for additional details.

## Battery Fast-Charge Constant Current

The device offers on-chip current regulation with programmable set point. Resistor  $R_{SET}$ , connected between the ISET and  $V_{SS}$ , determines the charge rate. The  $V_{(SET)}$  and  $K_{(SET)}$  parameters are specified in the specifications table.

$$I_{O(OUT)} = \frac{K_{(SET)} \times V_{(SET)}}{R_{SET}} \quad (2)$$

## Charge-Current Monitor

When the charge function is enabled internal circuits generate a current proportional to the charge current at the ISET pin. This current, when applied to the external charge current programming resistor  $R_{ISET}$  generates an analog voltage that can be monitored by an external host to calculate the current sourced from the OUT pin.

$$V(ISET) = I(OUT) \times \frac{R_{ISET}}{K_{(SET)}} \quad (3)$$

## Battery Fast-Charge Voltage Regulation

The voltage regulation feedback is through the OUT pin. This input is tied directly to the positive side of the battery pack. The device monitors the battery-pack voltage between the OUT and  $V_{SS}$  pins. When the battery voltage rises to the  $V_{O(REG)}$  threshold, the voltage regulation phase begins and the charging current begins to taper down.

As a safety backup, the device also monitors the charge time in the charge mode. If charge is not terminated within this time period,  $t_{(CHG)}$ , the charger is turned off and FAULT is set on the STATx pins. See the *Timer Fault and Recovery* section for additional details.

## Charge Termination Detection and Recharge

The device monitors the charging current during the voltage regulation phase. Once the termination threshold,  $I_{(TERM)}$ , is detected, charge is terminated. The  $V_{(TERM)}$  and  $K_{(SET)}$  parameters are specified in the specifications table.

$$I_{O(TERM)} = \frac{K_{(SET)} \times V_{(TERM)}}{R_{SET}} \quad (4)$$

After charge termination, the device restarts the charge once the voltage on the OUT pin falls below the  $V_{(RCH)}$  threshold. This feature keeps the battery at full capacity at all times.

The device monitors the charging current during the voltage regulation phase. Once the termination threshold,  $I_{(TERM)}$ , is detected, the charge is terminated immediately.

Resistor  $R_{SET}$ , connected between the ISET and  $V_{SS}$ , determines the current level at the termination threshold.

## Sleep Mode

The device enters the low-power sleep mode if the input power (IN) is removed from the circuit. This feature prevents draining the battery during the absence of input supply.

## Charge Status Outputs

The open-drain STAT1 and STAT2 outputs indicate various charger operations as shown in the following table. These status pins can be used to drive LEDs or communicate to the host processor. Note that *OFF* indicates the open-drain transistor is turned off.

**Table 1. Status Pin Summary**

CHANGE STATE	STAT1	STAT2
Precharge in progress	ON	ON
Fast charge in progress	ON	OFF
Charge done	OFF	ON
Charge suspend (temperature)	OFF	OFF
Timer fault		
Sleep mode		

## $\overline{\text{PG}}$ Output

The open-drain power-good ( $\overline{\text{PG}}$ ) output pulls low when a valid input voltage is present. This output is turned off (high-impedance) in sleep mode. The  $\overline{\text{PG}}$  pin can be used to drive an LED or communicate to the host processor.

## Charge-Enabled ( $\overline{\text{CE}}$ ) Input

The  $\overline{\text{CE}}$  digital input is used to disable or enable the charge process. A low-level signal on this pin enables the charge and a high-level signal disables the charge and places the device in a low-power mode. A high-to-low transition on this pin also resets all timers and timer fault conditions.

## Battery Voltage Selection, (VBSEL) Input

The VBSEL input is used to select the output voltage of bq24083. A low level signal on this pin selects the charge voltage of 4.2 V. A high level voltage selects the charge voltage of 4.06 V. If VBSEL is left open, an internal current source flowdown ensures the charge voltage is set to 4.2 V (typical).

## Timer Fault and Recovery

As shown in [Figure 7](#), the device provides a recovery method to deal with timer fault conditions. The following summarizes this method:

### Condition Number 1

OUT pin voltage is above the recharge threshold ( $V_{\text{RCH}}$ ), and a timeout fault occurs.

Recovery method: the device waits for the OUT pin voltage to fall below the recharge threshold. This could happen as a result of a load on the battery, self-discharge, or battery removal. Once the OUT pin voltage falls below the recharge threshold, the device clears the fault and starts a new charge cycle. A POR or  $\overline{\text{CE}}$  toggle also clears the fault.

### Condition Number 2

OUT pin voltage is below the recharge threshold ( $V_{\text{RCH}}$ ), and a timeout fault occurs

Recovery method: Under this scenario, the device applies the  $I_{\text{(FAULT)}}$  current. This small current is used to detect a battery removal condition and remains on as long as the battery voltage stays below the recharge threshold. If the OUT pin voltage goes above the recharge threshold, then the device disables the  $I_{\text{(FAULT)}}$  current and executes the recovery method described for condition number 1. Once the OUT pin voltage falls below the recharge threshold, the bq24083 clears the fault and starts a new charge cycle. A POR or  $\overline{\text{CE}}$  toggle also clears the fault.

## APPLICATION INFORMATION

### bq24083 CHARGER DESIGN EXAMPLE

#### Requirements

- Supply voltage = 5 V
- Fast-charge current of approximately 750 mA

#### Calculations

Program the charge current for 750 mA:

$$R_{\text{ISET}} = [V_{(\text{SET})} \times K_{(\text{SET})} / I_{(\text{OUT})}]$$

From electrical characteristics table,  $V_{(\text{SET})} = 2.5 \text{ V}$ .

From electrical characteristics table,  $K_{(\text{SET})} = 322$ .

$$R_{\text{ISET}} = [2.5 \text{ V} \times 322 / 0.75 \text{ A}] = 1.073 \text{ k}\Omega$$

Selecting the closest standard value, use a 1.07-k $\Omega$  resistor connected between ISET (pin 6) and ground.

#### STAT Pins and PG Pin

Status pins Monitored by Processor:

Select a pullup resistor that can source more than the input bias (leakage) current of both the processor and status pins and still provide a logic high.  $R_{\text{PULLUP}} \leq [V_{(\text{CC-pullup})} - V_{(\text{logic hi-min})} / (I_{(\text{P-monitor})} + I_{(\text{STAT-OpenDrain})})] = (3.3 \text{ V} - 1.9 \text{ V}) / (1 \mu\text{A} + 1 \mu\text{A}) \leq 700 \text{ k}\Omega$ ; Connect a 100-k $\Omega$  pullup between each status pin and the  $V_{\text{CC}}$  of the processor. Connect each status pin to a  $\mu\text{P}$  monitor pin.

Status viewed by LED:

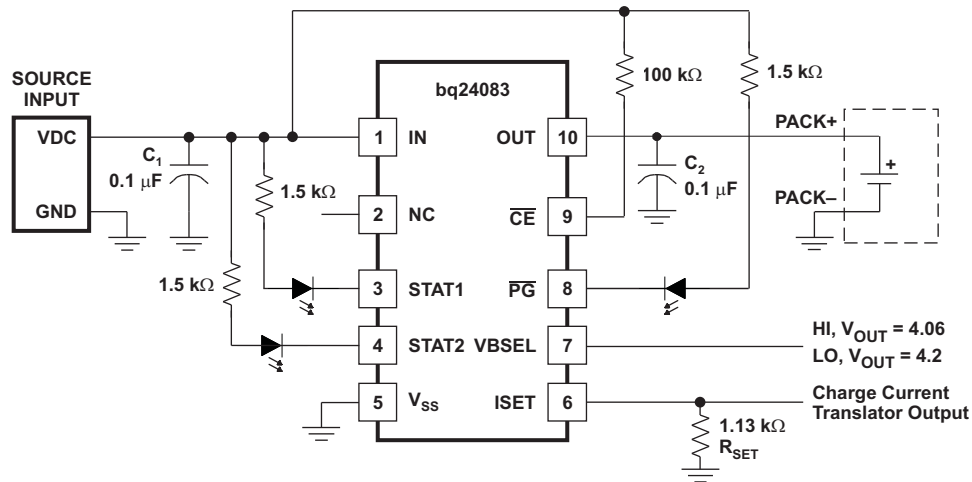
Select an LED with a current rating less than 10 mA and select a resistor to place in series with the LED to limit the current to the desired current value (brightness).  $R_{\text{LED}} = [(V_{(\text{IN})} - V_{(\text{LED-on})}) / I_{(\text{LED})}] = (5 \text{ V} - 2 \text{ V}) / 1.5 \text{ mA} = 2 \text{ k}\Omega$ . Place an LED and resistor in series between the input and each status pin.

#### Selecting Input and Output Capacitors

In most applications, all that is needed is a high-frequency decoupling capacitor on the input power pin. A 0.1- $\mu\text{F}$  ceramic capacitor, placed in close proximity to the IN pin and GND pad works well. In some applications, it may be necessary to protect against a hot plug input voltage overshoot. This is done in three ways:

1. The best way is to add an input zener, 6.2 V, between the IN pin and VSS.
2. A low-power zener is adequate for the single event transient. Increasing the input capacitance lowers the characteristic impedance which makes the input resistance more effective at damping the overshoot, but risks damaging the input contacts by the high inrush current.
3. Placing a resistor in series with the input dampens the overshoot, but causes excess power dissipation.

The device only requires a small capacitor for loop stability. A 0.1- $\mu\text{F}$  ceramic capacitor placed between the OUT and GND pad is typically sufficient.



## Thermal Considerations

The bq24083 is in a thermally enhanced MLP package. The package includes a thermal pad to provide an effective thermal contact between the device and the printed-circuit board (PCB). Full PCB design guidelines for this package are provided in the application report entitled, *QFN/SON PCB Attachment* (TI Literature Number [SLUA271](#)).

The most common measure of package thermal performance is thermal impedance ( $R_{\theta JA}$ ) measured (or modeled) from the device junction to the air surrounding the package surface (ambient). The mathematical expression for  $R_{\theta JA}$  is:

$$R_{\theta JA} = \frac{T_J - T_A}{P} \quad (5)$$

Where:

- $T_J$  = device junction temperature
- $T_A$  = ambient temperature
- $P$  = device power dissipation

Factors that can greatly influence the measurement and calculation of  $R_{\theta JA}$  include:

- Orientation of the device (horizontal or vertical)
- Volume of the ambient air surrounding the device under test and airflow
- Whether other surfaces are in close proximity to the device being tested
- Use multiple 10–13 mil vias in the PowerPAD™ to copper ground plane.
- Avoid cutting the ground plane with a signal trace near the power IC.
- The PCB must be sized to have adequate surface area for heat dissipation.
- FR4 (figerglass) thickness should be minimized.

The device power dissipation,  $P$ , is a function of the charge rate and the voltage drop across the internal Power FET. It can be calculated from the following equation:

$$P = (V_{(IN)} - V_{(OUT)}) \times I_{O(OUT)} \quad (6)$$

Due to the charge profile of Li-xx batteries, the maximum power dissipation is typically seen at the beginning of the charge cycle when the battery voltage is at its lowest. See [Figure 6](#).

## PCB Layout Considerations

It is important to pay special attention to the PCB layout. The following provides some guidelines:

- To obtain optimal performance, the decoupling capacitor from  $V_{CC}$  to  $V_{(IN)}$  and the output filter capacitors from OUT to  $V_{SS}$  should be placed as close as possible to the device, with short trace runs to both signal and  $V_{SS}$  pins. The  $V_{SS}$  pin should have short trace runs to the GND pin.
- All low-current  $V_{SS}$  connections should be kept separate from the high-current charge or discharge paths from the battery. Use a single-point ground technique incorporating both the small-signal ground path and the power ground path.
- The high-current charge paths into IN and from the OUT pins must be sized appropriately for the maximum charge current in order to avoid voltage drops in these traces.
- The device is packaged in a thermally enhanced MLP package. The package includes a thermal pad to provide an effective thermal contact between the device and the printed circuit board (PCB). Full PCB design guidelines for this package are provided in the application report entitled, *QFN/SON PCB Attachment* (TI Literature Number [SLUA271](#)).



**PACKAGING INFORMATION**

Orderable Device	Status (1)	Package Type	Package Drawing	Pins	Package Qty	Eco Plan (2)	Lead finish/ Ball material (6)	MSL Peak Temp (3)	Op Temp (°C)	Device Marking (4/5)	Samples
BQ24083DRCCR	ACTIVE	VSON	DRC	10	3000	RoHS & Green	NIPDAU	Level-2-260C-1 YEAR	-40 to 125	CFZ	<a href="#">Samples</a>
BQ24083DRCT	ACTIVE	VSON	DRC	10	250	RoHS & Green	NIPDAU	Level-2-260C-1 YEAR	-40 to 125	CFZ	<a href="#">Samples</a>
BQ24083DRCTG4	ACTIVE	VSON	DRC	10	250	RoHS & Green	NIPDAU	Level-2-260C-1 YEAR	-40 to 125	CFZ	<a href="#">Samples</a>

(1) The marketing status values are defined as follows:

**ACTIVE:** Product device recommended for new designs.

**LIFEBUY:** TI has announced that the device will be discontinued, and a lifetime-buy period is in effect.

**NRND:** Not recommended for new designs. Device is in production to support existing customers, but TI does not recommend using this part in a new design.

**PREVIEW:** Device has been announced but is not in production. Samples may or may not be available.

**OBSELETE:** TI has discontinued the production of the device.

(2) **RoHS:** TI defines "RoHS" to mean semiconductor products that are compliant with the current EU RoHS requirements for all 10 RoHS substances, including the requirement that RoHS substance do not exceed 0.1% by weight in homogeneous materials. Where designed to be soldered at high temperatures, "RoHS" products are suitable for use in specified lead-free processes. TI may reference these types of products as "Pb-Free".

**RoHS Exempt:** TI defines "RoHS Exempt" to mean products that contain lead but are compliant with EU RoHS pursuant to a specific EU RoHS exemption.

**Green:** TI defines "Green" to mean the content of Chlorine (Cl) and Bromine (Br) based flame retardants meet JS709B low halogen requirements of <=1000ppm threshold. Antimony trioxide based flame retardants must also meet the <=1000ppm threshold requirement.

(3) MSL, Peak Temp. - The Moisture Sensitivity Level rating according to the JEDEC industry standard classifications, and peak solder temperature.

(4) There may be additional marking, which relates to the logo, the lot trace code information, or the environmental category on the device.

(5) Multiple Device Markings will be inside parentheses. Only one Device Marking contained in parentheses and separated by a "~" will appear on a device. If a line is indented then it is a continuation of the previous line and the two combined represent the entire Device Marking for that device.

(6) Lead finish/Ball material - Orderable Devices may have multiple material finish options. Finish options are separated by a vertical ruled line. Lead finish/Ball material values may wrap to two lines if the finish value exceeds the maximum column width.

**Important Information and Disclaimer:**The information provided on this page represents TI's knowledge and belief as of the date that it is provided. TI bases its knowledge and belief on information provided by third parties, and makes no representation or warranty as to the accuracy of such information. Efforts are underway to better integrate information from third parties. TI has taken and continues to take reasonable steps to provide representative and accurate information but may not have conducted destructive testing or chemical analysis on incoming materials and chemicals. TI and TI suppliers consider certain information to be proprietary, and thus CAS numbers and other limited information may not be available for release.

In no event shall TI's liability arising out of such information exceed the total purchase price of the TI part(s) at issue in this document sold by TI to Customer on an annual basis.

## TAPE AND REEL INFORMATION



### QUADRANT ASSIGNMENTS FOR PIN 1 ORIENTATION IN TAPE



\*All dimensions are nominal

Device	Package Type	Package Drawing	Pins	SPQ	Reel Diameter (mm)	Reel Width W1 (mm)	A0 (mm)	B0 (mm)	K0 (mm)	P1 (mm)	W (mm)	Pin1 Quadrant
BQ24083DRCR	VSON	DRC	10	3000	330.0	12.4	3.3	3.3	1.1	8.0	12.0	Q2
BQ24083DRCT	VSON	DRC	10	250	180.0	12.4	3.3	3.3	1.1	8.0	12.0	Q2

**TAPE AND REEL BOX DIMENSIONS**


\*All dimensions are nominal

Device	Package Type	Package Drawing	Pins	SPQ	Length (mm)	Width (mm)	Height (mm)
BQ24083DRCR	VSON	DRC	10	3000	367.0	367.0	35.0
BQ24083DRCT	VSON	DRC	10	250	210.0	185.0	35.0

## GENERIC PACKAGE VIEW

**DRC 10**

**VSON - 1 mm max height**

3 x 3, 0.5 mm pitch

PLASTIC SMALL OUTLINE - NO LEAD

This image is a representation of the package family, actual package may vary.  
Refer to the product data sheet for package details.



4226193/A



# EXAMPLE BOARD LAYOUT

DRC0010J

VSON - 1 mm max height

PLASTIC SMALL OUTLINE - NO LEAD



LAND PATTERN EXAMPLE  
EXPOSED METAL SHOWN  
SCALE:20X



SOLDER MASK DETAILS

4218878/B 07/2018

NOTES: (continued)

4. This package is designed to be soldered to a thermal pad on the board. For more information, see Texas Instruments literature number SLUA271 ([www.ti.com/lit/sluea271](http://www.ti.com/lit/sluea271)).
5. Vias are optional depending on application, refer to device data sheet. If any vias are implemented, refer to their locations shown on this view. It is recommended that vias under paste be filled, plugged or tented.

# EXAMPLE STENCIL DESIGN

DRC0010J

VSON - 1 mm max height

PLASTIC SMALL OUTLINE - NO LEAD



SOLDER PASTE EXAMPLE  
BASED ON 0.125 mm THICK STENCIL

EXPOSED PAD 11:  
80% PRINTED SOLDER COVERAGE BY AREA  
SCALE:25X

4218878/B 07/2018

NOTES: (continued)

6. Laser cutting apertures with trapezoidal walls and rounded corners may offer better paste release. IPC-7525 may have alternate design recommendations.



## IMPORTANT NOTICE AND DISCLAIMER

TI PROVIDES TECHNICAL AND RELIABILITY DATA (INCLUDING DATASHEETS), DESIGN RESOURCES (INCLUDING REFERENCE DESIGNS), APPLICATION OR OTHER DESIGN ADVICE, WEB TOOLS, SAFETY INFORMATION, AND OTHER RESOURCES "AS IS" AND WITH ALL FAULTS, AND DISCLAIMS ALL WARRANTIES, EXPRESS AND IMPLIED, INCLUDING WITHOUT LIMITATION ANY IMPLIED WARRANTIES OF MERCHANTABILITY, FITNESS FOR A PARTICULAR PURPOSE OR NON-INFRINGEMENT OF THIRD PARTY INTELLECTUAL PROPERTY RIGHTS.

These resources are intended for skilled developers designing with TI products. You are solely responsible for (1) selecting the appropriate TI products for your application, (2) designing, validating and testing your application, and (3) ensuring your application meets applicable standards, and any other safety, security, or other requirements. These resources are subject to change without notice. TI grants you permission to use these resources only for development of an application that uses the TI products described in the resource. Other reproduction and display of these resources is prohibited. No license is granted to any other TI intellectual property right or to any third party intellectual property right. TI disclaims responsibility for, and you will fully indemnify TI and its representatives against, any claims, damages, costs, losses, and liabilities arising out of your use of these resources.

TI's products are provided subject to TI's Terms of Sale (<https://www.ti.com/legal/termsofsale.html>) or other applicable terms available either on [ti.com](https://www.ti.com) or provided in conjunction with such TI products. TI's provision of these resources does not expand or otherwise alter TI's applicable warranties or warranty disclaimers for TI products.

Mailing Address: Texas Instruments, Post Office Box 655303, Dallas, Texas 75265  
Copyright © 2021, Texas Instruments Incorporated