



Is Now Part of



ON Semiconductor®

To learn more about ON Semiconductor, please visit our website at
www.onsemi.com

Please note: As part of the Fairchild Semiconductor integration, some of the Fairchild orderable part numbers will need to change in order to meet ON Semiconductor's system requirements. Since the ON Semiconductor product management systems do not have the ability to manage part nomenclature that utilizes an underscore (_), the underscore (_) in the Fairchild part numbers will be changed to a dash (-). This document may contain device numbers with an underscore (_). Please check the ON Semiconductor website to verify the updated device numbers. The most current and up-to-date ordering information can be found at www.onsemi.com. Please email any questions regarding the system integration to Fairchild_questions@onsemi.com.

ON Semiconductor and the ON Semiconductor logo are trademarks of Semiconductor Components Industries, LLC dba ON Semiconductor or its subsidiaries in the United States and/or other countries. ON Semiconductor owns the rights to a number of patents, trademarks, copyrights, trade secrets, and other intellectual property. A listing of ON Semiconductor's product/patent coverage may be accessed at www.onsemi.com/site/pdf/Patent-Marking.pdf. ON Semiconductor reserves the right to make changes without further notice to any products herein. ON Semiconductor makes no warranty, representation or guarantee regarding the suitability of its products for any particular purpose, nor does ON Semiconductor assume any liability arising out of the application or use of any product or circuit, and specifically disclaims any and all liability, including without limitation special, consequential or incidental damages. Buyer is responsible for its products and applications using ON Semiconductor products, including compliance with all laws, regulations and safety requirements or standards, regardless of any support or applications information provided by ON Semiconductor. "Typical" parameters which may be provided in ON Semiconductor data sheets and/or specifications can and do vary in different applications and actual performance may vary over time. All operating parameters, including "Typicals" must be validated for each customer application by customer's technical experts. ON Semiconductor does not convey any license under its patent rights nor the rights of others. ON Semiconductor products are not designed, intended, or authorized for use as a critical component in life support systems or any FDA Class 3 medical devices or medical devices with a same or similar classification in a foreign jurisdiction or any devices intended for implantation in the human body. Should Buyer purchase or use ON Semiconductor products for any such unintended or unauthorized application, Buyer shall indemnify and hold ON Semiconductor and its officers, employees, subsidiaries, affiliates, and distributors harmless against all claims, costs, damages, and expenses, and reasonable attorney fees arising out of, directly or indirectly, any claim of personal injury or death associated with such unintended or unauthorized use, even if such claim alleges that ON Semiconductor was negligent regarding the design or manufacture of the part. ON Semiconductor is an Equal Opportunity/Affirmative Action Employer. This literature is subject to all applicable copyright laws and is not for resale in any manner.



FAN7388

3 Half-Bridge Gate-Drive IC

Features

- Floating Channel for Bootstrap Operation to +600 V
- Typically 350 mA / 650 mA Sourcing/Sinking Current Driving Capability for All Channels
- 3 Half-Bridge Gate Driver
- Extended Allowable Negative V_S Swing to -9.8 V for Signal Propagation at $V_{BS}=15$ V
- Matched Propagation Delay Time Maximum: 50 ns
- 3.3 V and 5 V Input Logic Compatible
- Built-in Shoot-Through Prevention Circuit for All Channels with 270 ns Typical Dead Time
- Built-in Common Mode dv/dt Noise Canceling Circuit
- Built-in UVLO Functions for All Channels

Applications

- 3-Phase Motor Inverter Driver

Related Resources

- [AN-6076 - Design and Application Guide of Bootstrap Circuit for High-Voltage Gate-Drive IC](#)
- [AN-9052 - Design Guide for Selection of Bootstrap Components](#)
- [AN-8102 - Recommendations to Avoid Short Pulse Width Issues in HVIC Gate Driver Applications](#)

Description

The FAN7388 is a monolithic three half-bridge gate-drive IC designed for high-voltage, high-speed driving MOS-FETs and IGBTs operating up to +600 V.

Fairchild's high-voltage process and common-mode noise canceling technique provide stable operation of high-side drivers under high-dv/dt noise circumstances.

An advanced level-shift circuit allows high-side gate driver operation up to $V_S=-9.8$ V (typical) for $V_{BS}=15$ V.

The UVLO circuits prevent malfunction when V_{DD} and V_{BS} are lower than the specified threshold voltage.

Output drivers typically source/sink 350 mA / 650 mA, respectively, which is suitable for three-phase half-bridge applications in motor drive systems.

20-SOIC



Ordering Information

| Part Number | Package | Operating Temperature Range | Packing Method |
|-------------|---------|-----------------------------|----------------|
| FAN7388MX | 20-SOIC | -40°C to +125°C | Tape & Reel |

Typical Application Circuit

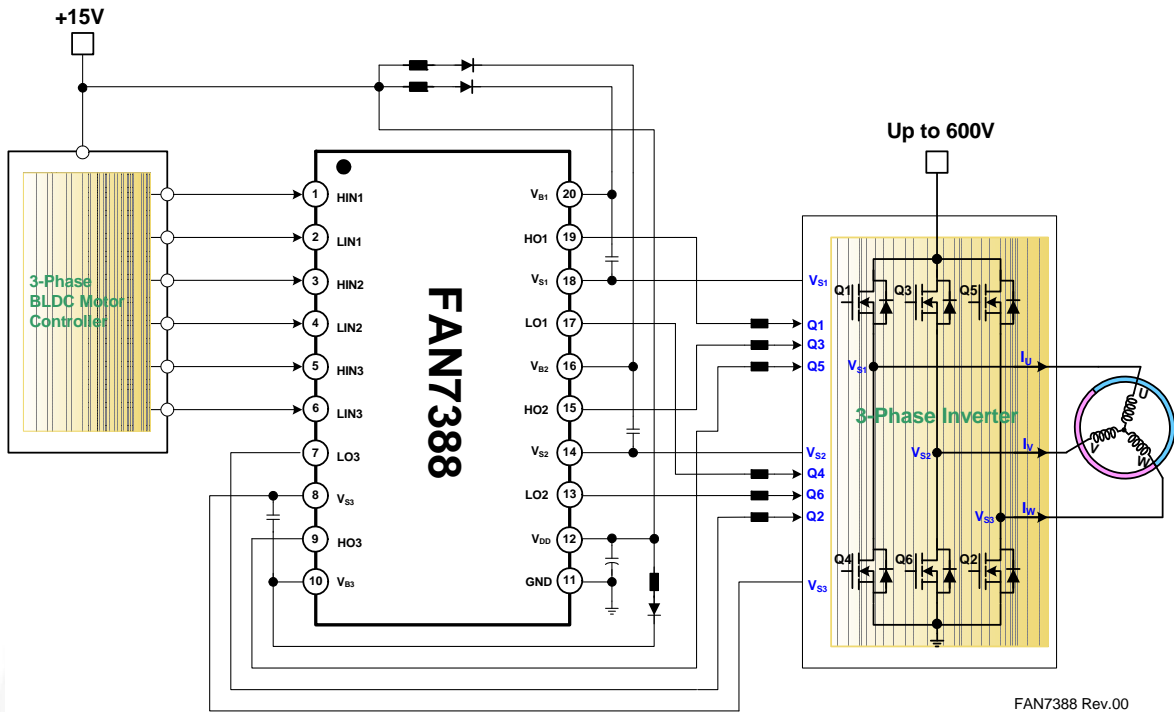


Figure 1. 3-Phase BLDC Motor Drive Application

Internal Block Diagram

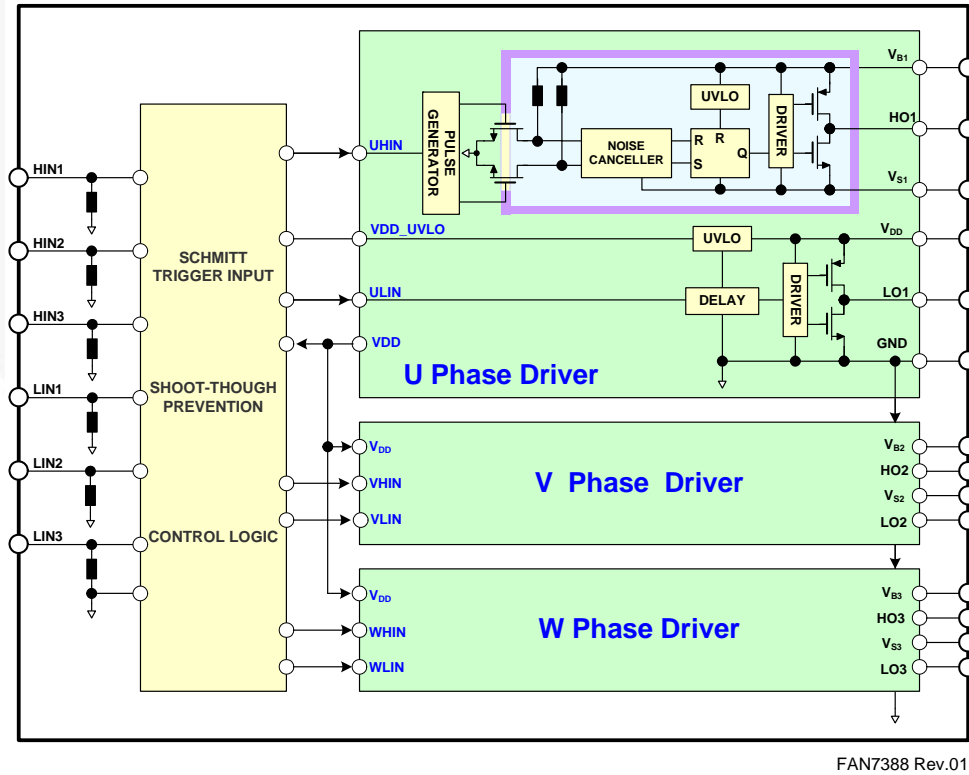
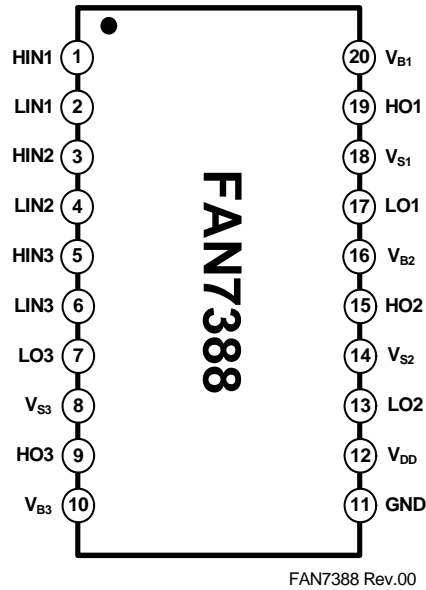


Figure 2. Functional Block Diagram

Pin Configuration



FAN7388 Rev.00

Figure 3. Pin Configuration (Top View)

Pin Definitions

| Pin # | Name | Description |
|-------|----------|--|
| 1 | HIN1 | Logic input 1 for high-side gate 1 driver |
| 2 | LIN1 | Logic input 1 for low-side gate 1 driver |
| 3 | HIN2 | Logic input 2 for high-side gate 2 driver |
| 4 | LIN2 | Logic input 2 for low-side gate 2 driver |
| 5 | HIN3 | Logic input 3 for high-side gate 3 driver |
| 6 | LIN3 | Logic input 3 for low-side gate 3 driver |
| 7 | LO3 | Low-side gate driver 3 output |
| 8 | V_{S3} | High-side driver 3 floating supply offset voltage |
| 9 | HO3 | High-side driver 3 gate driver output |
| 10 | V_{B3} | High-side driver 3 floating supply voltage |
| 11 | GND | Ground |
| 12 | V_{DD} | Logic and all low-side gate drivers power supply voltage |
| 13 | LO2 | Low-side gate driver 2 output |
| 14 | V_{S2} | High-side driver 2 floating supply offset voltage |
| 15 | HO2 | High-side driver 2 gate driver output |
| 16 | V_{B2} | High-side driver 2 floating supply voltage |
| 17 | LO1 | Low-side gate driver 1 output |
| 18 | V_{S1} | High-side driver 1 floating supply offset voltage |
| 19 | HO1 | High-side driver 1 gate driver output |
| 20 | V_{B1} | High-side driver 1 floating supply voltage |

Absolute Maximum Ratings

Stresses exceeding the absolute maximum ratings may damage the device. The device may not function or be operable above the recommended operating conditions and stressing the parts to these levels is not recommended. In addition, extended exposure to stresses above the recommended operating conditions may affect device reliability. The absolute maximum ratings are stress ratings only. $T_A=25^{\circ}\text{C}$, unless otherwise specified.

| Symbol | Parameter | Min. | Max. | Unit |
|---------------|--|------------------|------------------|-----------------------------|
| V_B | High-Side Floating Supply Voltage of $V_{B1,2,3}$ | -0.3 | 625.0 | V |
| V_S | High-Side Floating Supply Offset Voltage of $V_{S1,2,3}$ | $V_{B1,2,3}-25$ | $V_{B1,2,3}+0.3$ | V |
| $V_{HO1,2,3}$ | High-Side Floating Output Voltage | $V_{S1,2,3}-0.3$ | $V_{B1,2,3}+0.3$ | V |
| V_{DD} | Low-Side and Logic-fixed Supply Voltage | -0.3 | 25.0 | V |
| $V_{LO1,2,3}$ | Low-Side Output Voltage | -0.3 | $V_{DD}+0.3$ | V |
| V_{IN} | Logic Input Voltage (HIN1,2,3 and LIN1,2,3) | -0.3 | $V_{DD}+0.3$ | V |
| dV_S/dt | Allowable Offset Voltage Slew Rate | | 50 | V/ns |
| P_D | Power Dissipation ⁽¹⁾⁽²⁾⁽³⁾ | | 1.47 | W |
| θ_{JA} | Thermal Resistance, Junction-to-ambient | | 85 | $^{\circ}\text{C}/\text{W}$ |
| T_J | Junction Temperature | | +150 | $^{\circ}\text{C}$ |
| T_{STG} | Storage Temperature | -55 | +150 | $^{\circ}\text{C}$ |

Notes:

- Mounted on 76.2 x 114.3 x 1.6 mm PCB (FR-4 glass epoxy material).
- Refer to the following standards:
 - JESD51-2: Integral circuits thermal test method environmental conditions - natural convection
 - JESD51-3: Low effective thermal conductivity test board for leaded surface-mount packages.
- Do not exceed P_D under any circumstances.

Recommended Operating Conditions

The Recommended Operating Conditions table defines the conditions for actual device operation. Recommended operating conditions are specified to ensure optimal performance to the datasheet specifications. Fairchild does not recommend exceeding them or designing to Absolute Maximum Ratings.

| Symbol | Parameter | Min. | Max. | Unit |
|---------------|---|-----------------|-----------------|--------------------|
| $V_{B1,2,3}$ | High-Side Floating Supply Voltage | $V_{S1,2,3}+10$ | $V_{S1,2,3}+20$ | V |
| $V_{S1,2,3}$ | High-Side Floating Supply Offset Voltage | $6-V_{DD}$ | 600 | V |
| V_{DD} | Supply Voltage | 10 | 20 | V |
| $V_{HO1,2,3}$ | High-Side Output Voltage | $V_{S1,2,3}$ | $V_{B1,2,3}$ | V |
| $V_{LO1,2,3}$ | Low-Side Output Voltage | GND | V_{DD} | V |
| V_{IN} | Logic Input Voltage (HIN1,2,3 and LIN1,2,3) | GND | V_{DD} | V |
| T_A | Ambient Temperature | -40 | +125 | $^{\circ}\text{C}$ |

Electrical Characteristics

V_{BIAS} (V_{DD} , $V_{BS1,2,3}$)=15.0 V, T_A =25°C, unless otherwise specified. The V_{IN} and I_{IN} parameters are referenced to GND. The V_O and I_O parameters are referenced to GND and $V_{S1,2,3}$ and are applicable to the respective outputs LO1,2,3 and HO1,2,3.

| Symbol | Characteristics | Condition | Min. | Typ. | Max. | Unit |
|--|---|--|------|------|------|------------|
| LOW-SIDE POWER SUPPLY SECTION | | | | | | |
| I_{QDD} | Quiescent V_{DD} Supply Current | $V_{LIN1,2,3}=0$ V or 5 V | | 160 | 350 | μ A |
| $I_{PDD1,2,3}$ | Operating V_{DD} Supply Current for each Channel | $f_{LIN1,2,3}=20$ kHz, rms Value | | 500 | 900 | μ A |
| V_{DDUV+} | V_{DD} Supply Under-Voltage Positive-Going Threshold | $V_{DD}=\text{Sweep}$, $V_{BS}=15$ V | 7.2 | 8.2 | 9.0 | V |
| V_{DDUV-} | V_{DD} Supply Under-Voltage Negative-Going Threshold | $V_{DD}=\text{Sweep}$, $V_{BS}=15$ V | 6.8 | 7.8 | 8.5 | V |
| V_{DDHYS} | V_{DD} Supply Under-Voltage Lockout Hysteresis | $V_{DD}=\text{Sweep}$, $V_{BS}=15$ V | | 0.4 | | V |
| BOOTSTRAPPED POWER SUPPLY SECTION | | | | | | |
| $I_{QBS1,2,3}$ | Quiescent V_{BS} Supply Current for each Channel | $V_{HIN1,2,3}=0$ V or 5 V | | 50 | 120 | μ A |
| $I_{PBS1,2,3}$ | Operating V_{BS} Supply Current for each Channel | $f_{HIN1,2,3}=20$ kHz, rms Value | | 400 | 800 | μ A |
| V_{BSUV+} | V_{BS} Supply Under-Voltage Positive-going Threshold | $V_{DD}=15$ V, $V_{BS}=\text{Sweep}$ | 7.2 | 8.2 | 9.0 | V |
| V_{BSUV-} | V_{BS} Supply Under-Voltage Negative-going Threshold | $V_{DD}=15$ V, $V_{BS}=\text{Sweep}$ | 6.8 | 7.8 | 8.5 | V |
| V_{BSHYS} | V_{BS} Supply Under-Voltage Lockout Hysteresis | $V_{DD}=15$ V, $V_{BS}=\text{Sweep}$ | | 0.4 | | V |
| I_{LK} | Offset Supply Leakage Current | $V_{B1,2,3}=V_{S1,2,3}=600$ V | | | 10 | μ A |
| GATE DRIVER OUTPUT SECTION | | | | | | |
| V_{OH} | High-Level Output Voltage, $V_{BIAS}-V_O$ | $I_O=20$ mA | | | 1.0 | V |
| V_{OL} | Low-Level Output Voltage, V_O | $I_O=20$ mA | | | 0.6 | V |
| I_{O+} | Output HIGH Short-Circuit Pulsed Current ⁽⁴⁾ | $V_O=0$ V, $V_{IN}=5$ V with PW <10 μ s | 250 | 350 | | mA |
| I_{O-} | Output LOW Short-Circuit Pulsed Current ⁽⁴⁾ | $V_O=15$ V, $V_{IN}=0$ V with PW <10 μ s | 500 | 650 | | mA |
| V_S | Allowable Negative V_S Pin Voltage for IN Signal Propagation to H_O | | | -9.8 | -7.0 | V |
| LOGIC INPUT SECTION (HIN, LIN) | | | | | | |
| V_{IH} | Logic "1" Input Voltage | | 2.5 | | | V |
| V_{IL} | Logic "0" Input Voltage | | | | 1.0 | V |
| I_{IN+} | Logic "1" Input Bias Current | $V_{IN}=5$ V | | 25 | 50 | μ A |
| I_{IN-} | Logic "0" Input Bias Current ⁽⁴⁾ | $V_{IN}=0$ V | | | 2.0 | μ A |
| R_{IN} | Input Pull-Down Resistance | | 100 | 200 | 300 | K Ω |

Note:

4. This parameter is guaranteed by design.

Dynamic Electrical Characteristics

$T_A=25^\circ\text{C}$, $V_{\text{BIAS}} (V_{\text{DD}}, V_{\text{BS1,2,3}})=15.0\text{ V}$, $V_{\text{S1,2,3}}=\text{GND}$, $C_{\text{Load}}=1000\text{ pF}$ unless otherwise specified.

| Symbol | Parameter | Conditions | Min. | Typ. | Max. | Unit |
|------------------|--|--------------------------------|------|------|------|------|
| t_{ON} | Turn-on Propagation Delay | $V_{\text{S1,2,3}}=0\text{ V}$ | | 130 | 220 | ns |
| t_{OFF} | Turn-off Propagation Delay | $V_{\text{S1,2,3}}=0\text{ V}$ | | 150 | 240 | ns |
| t_{R} | Turn-on Rise Time | | | 50 | 120 | ns |
| t_{F} | Turn-off Fall Time | | | 30 | 80 | ns |
| MT1 | Turn-on Delay Matching $t_{\text{ON(H)}} - t_{\text{OFF(L)}} $ | | | | 50 | ns |
| MT2 | Turn-off Delay Matching $t_{\text{OFF(H)}} - t_{\text{ON(L)}} $ | | | | 50 | ns |
| DT | Dead Time | | 100 | 270 | 440 | ns |
| MDT | Dead-time Matching $t_{\text{DT1}} - t_{\text{DT2}} $ | | | | 60 | ns |

Typical Characteristics

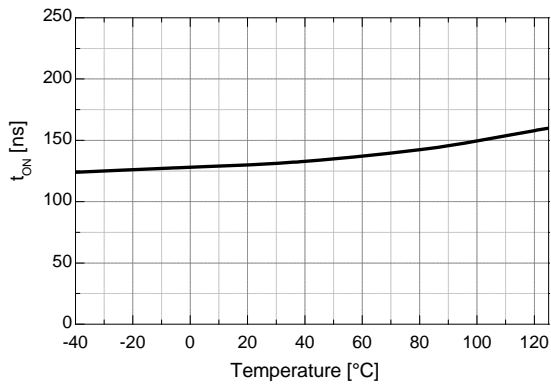


Figure 4. Turn-on Propagation Delay vs. Temp.

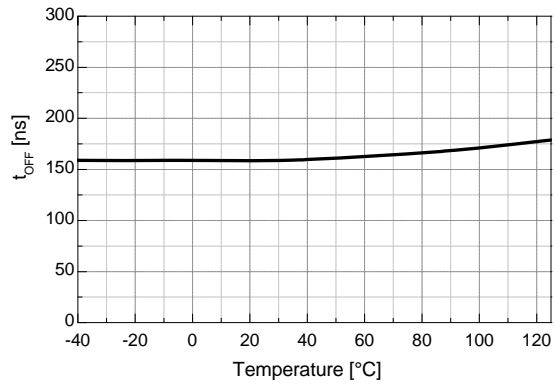


Figure 5. Turn-off Propagation Delay vs. Temp.

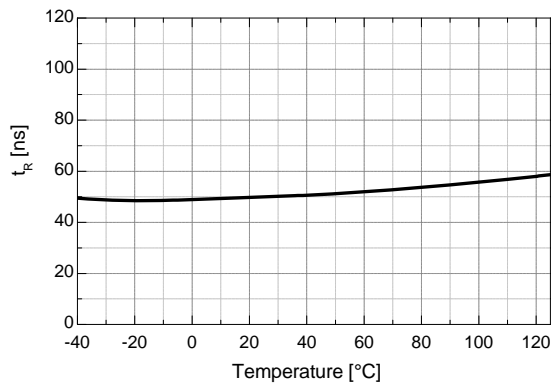


Figure 6. Turn-on Rise Time vs. Temp.

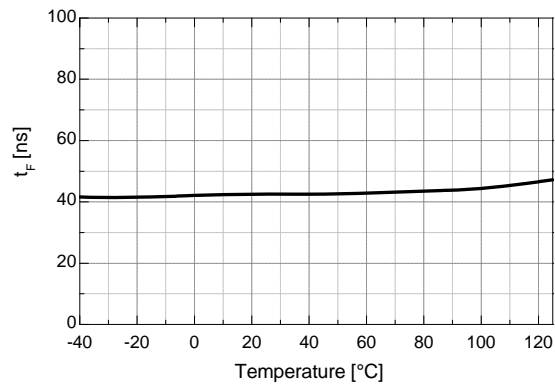


Figure 7. Turn-off Fall Time vs. Temp.

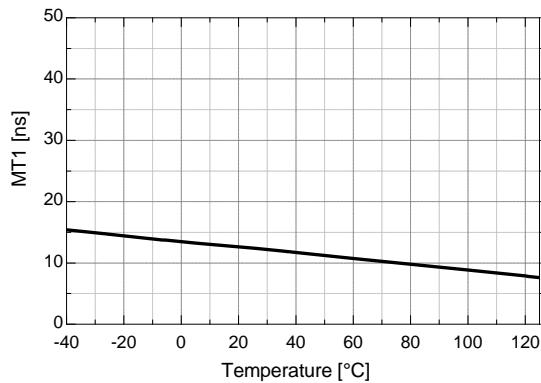


Figure 8. Turn-on Delay Matching vs. Temp.

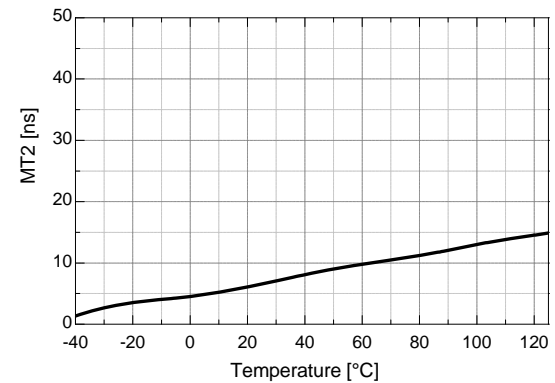


Figure 9. Turn-off Delay Matching vs. Temp.

Typical Characteristics (Continued)

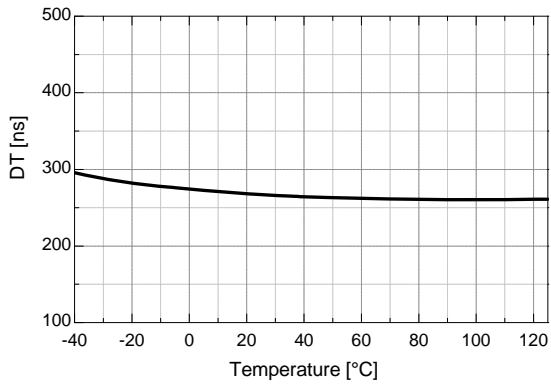


Figure 10. Dead Time vs. Temp.

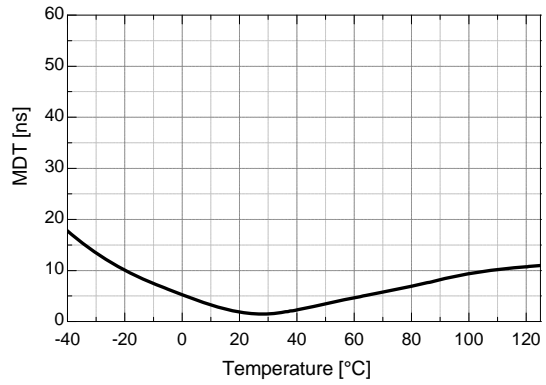


Figure 11. Dead-Time Matching vs. Temp.

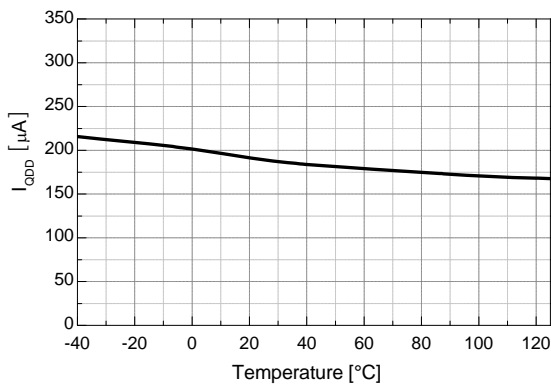


Figure 12. Quiescent V_{DD} Supply Current vs. Temp.

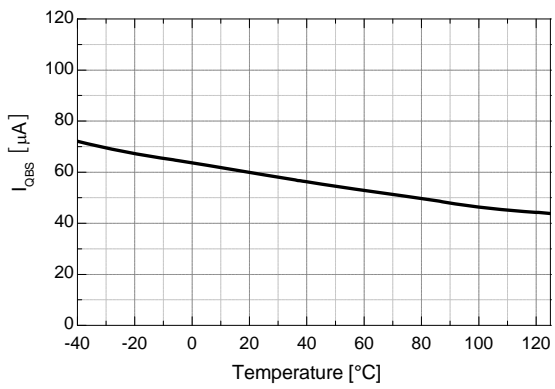


Figure 13. Quiescent V_{BS} Supply Current vs. Temp.

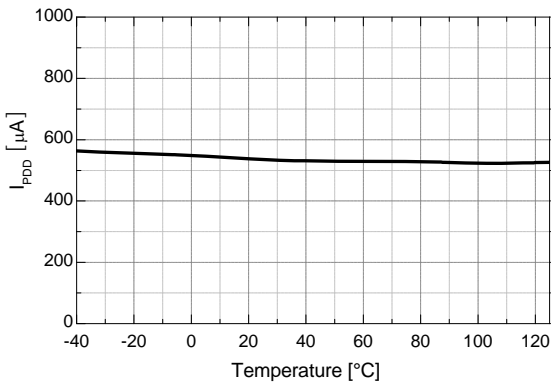


Figure 14. Operating V_{DD} Supply Current vs. Temp.

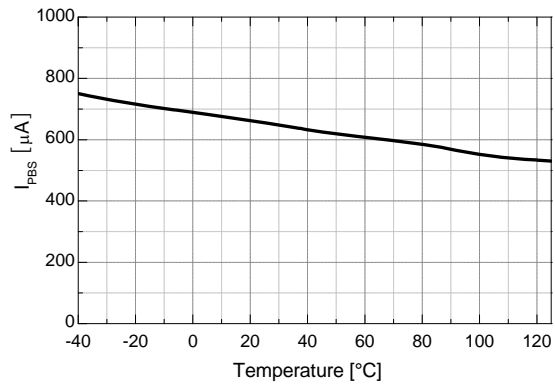


Figure 15. Operating V_{BS} Supply Current vs. Temp.

Typical Characteristics (Continued)

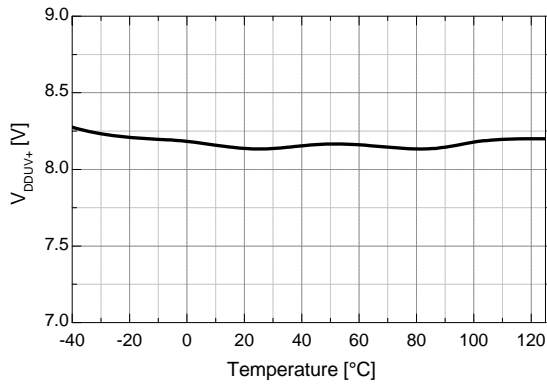


Figure 16. V_{DD} UVLO+ vs. Temp.

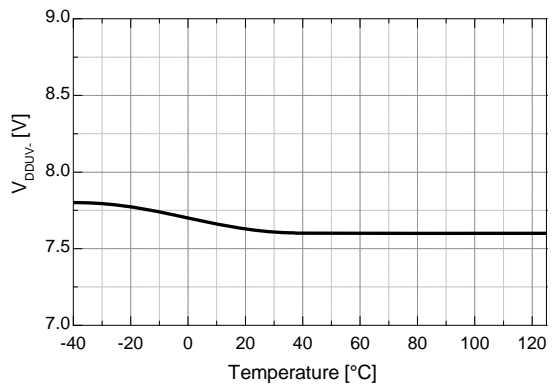


Figure 17. V_{DD} UVLO- vs. Temp.

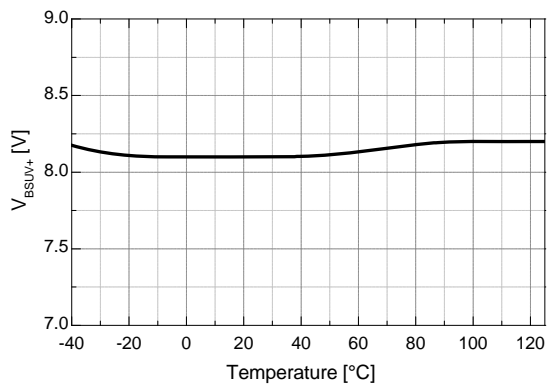


Figure 18. V_{BS} UVLO+ vs. Temp.

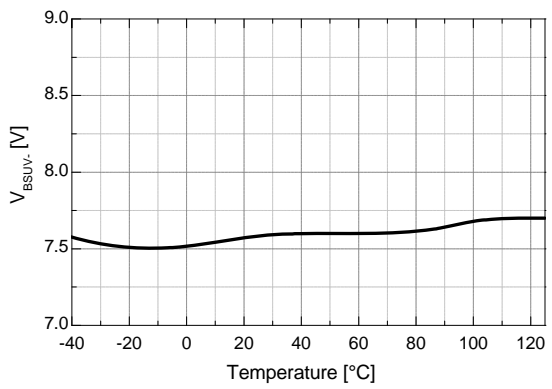


Figure 19. V_{BS} UVLO- vs. Temp.

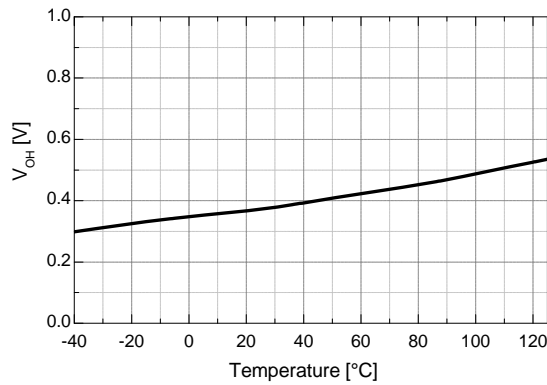


Figure 20. High-Level Output Voltage vs. Temp.

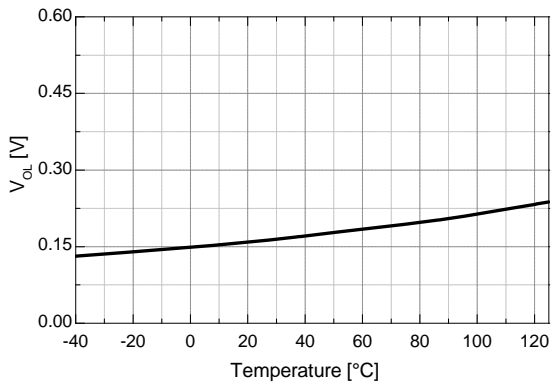


Figure 21. Low-Level Output Voltage vs. Temp.

Typical Characteristics (Continued)

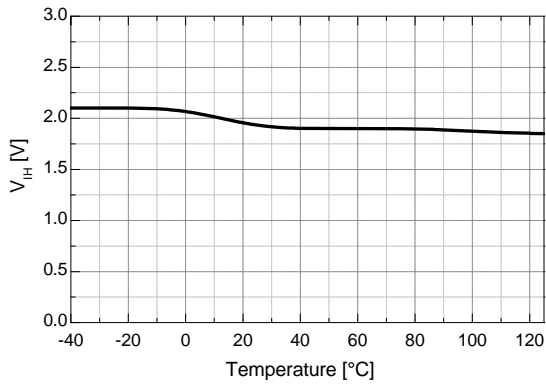


Figure 22. Logic High Input Voltage vs. Temp.

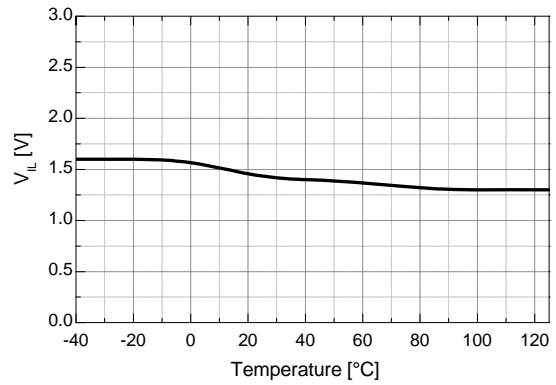


Figure 23. Logic Low Input Voltage vs. Temp.

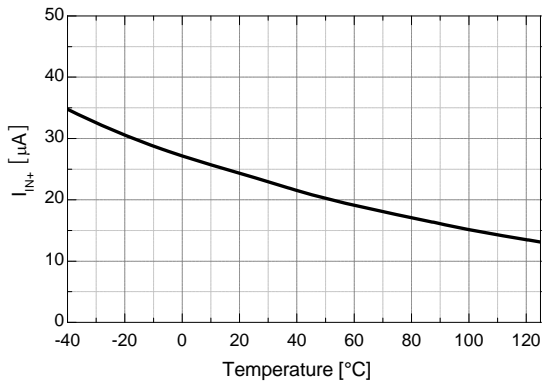


Figure 24. Logic Input High Bias Current vs. Temp.

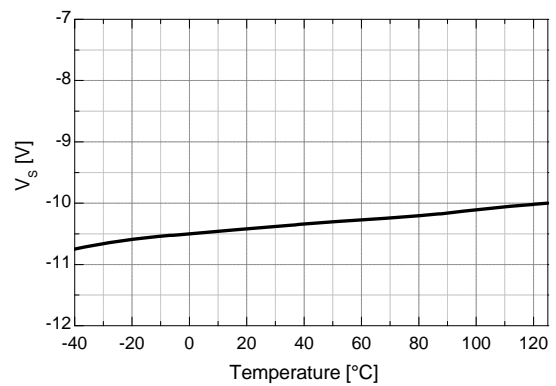


Figure 25. Allowable Negative V_S Voltage vs. Temp.

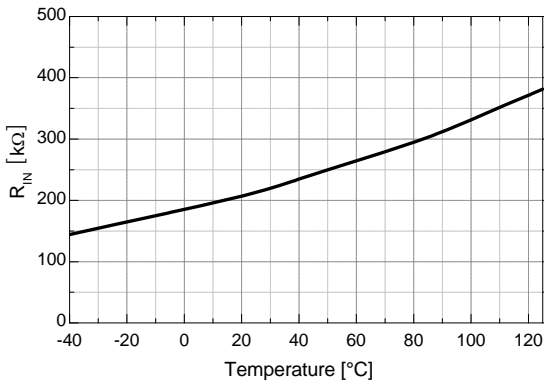


Figure 26. Input Pull-down Resistance vs. Temp.

Application Information

1. Protection Function

1.1 Under-Voltage Lockout (UVLO)

The high- and low-side drivers include under-voltage lockout (UVLO) protection circuitry for each channel that monitors the supply voltage (V_{DD}) and bootstrap capacitor voltage ($V_{BS1,2,3}$) independently. It can be designed to prevent malfunction when V_{DD} and $V_{BS1,2,3}$ are lower than the specified threshold voltage. The UVLO hysteresis prevents chattering during power supply transitions.

1.2 Shoot-Through Prevention Function

The FAN7388 has shoot-through prevention circuitry monitoring the high- and low-side control inputs. It can be designed to prevent outputs of high and low side from turning on at same time, as shown Figure 27 and 28.

2. Operational Notes

The FAN7388 is a three half-bridge gate driver with internal, typical 270 ns dead-time for the three-phase brushless DC (BLDC) motor drive system, as shown in Figure 1.

Figure 29 shows a switching sequence of 120° electrical commutation for a three-phase BLDC motor drive system. The waveforms are idealized: they assumed that the generated back EMF waveforms are trapezoidal with flat tops of sufficient width to produce constant torque when the line currents are perfectly rectangular, 120° electrical degrees, with the switching sequence as shown in Figure 29. The operating waveforms of the wye-connection reveal that repeat every 60 electrical degrees, with each 60° segment being “commutated” to another phase, as shown in Figure 29.

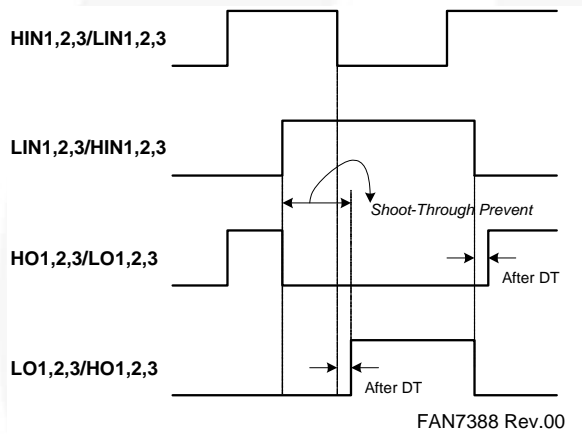


Figure 27. Waveforms for Shoot-Through Prevention

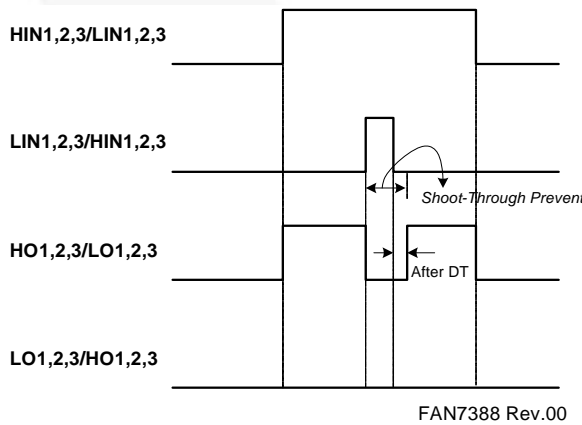


Figure 28. Waveforms for Shoot-Through Prevention

Application Information (Continued)

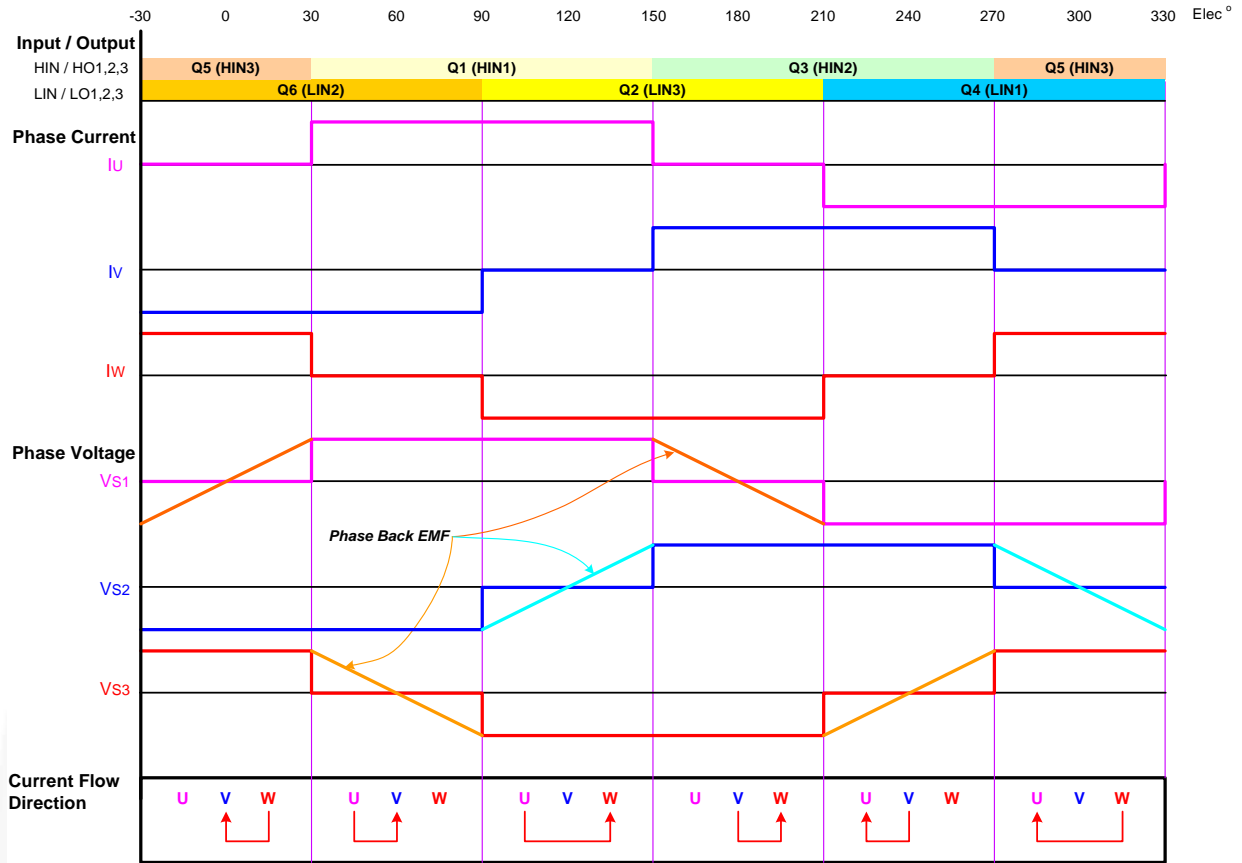


Figure 29. 120° Commutation Operation Waveforms for 3-Phase BLDC Motor Application

Switching Time Diagram

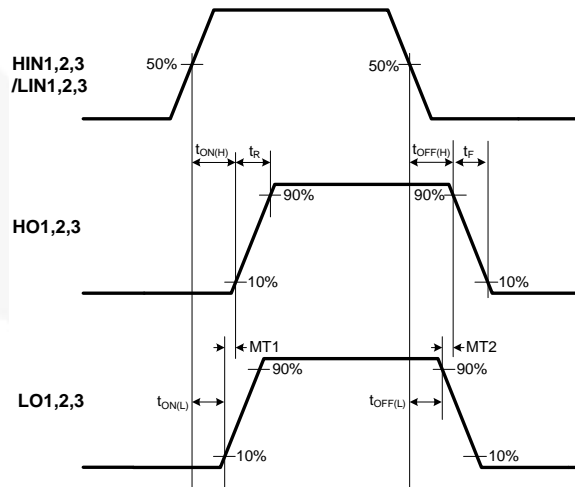
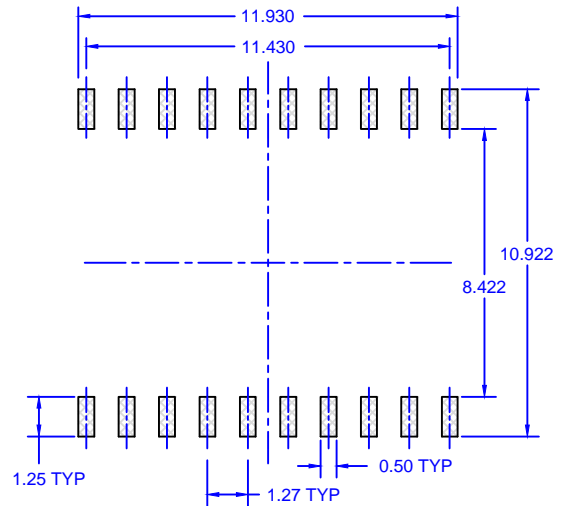
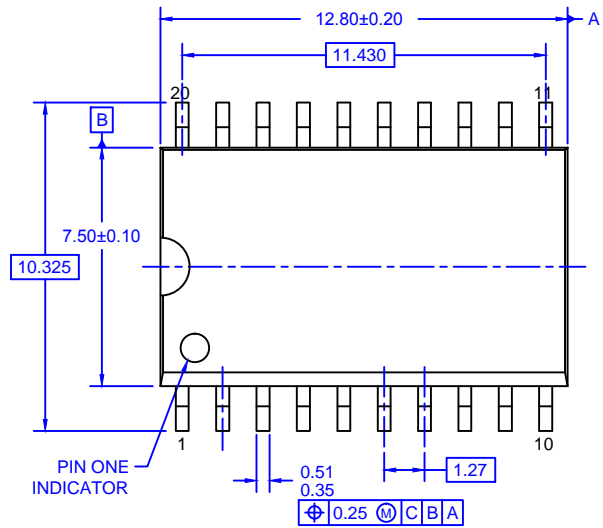
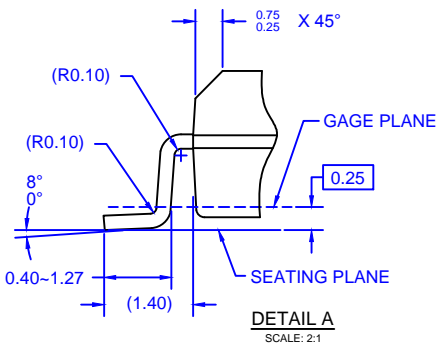
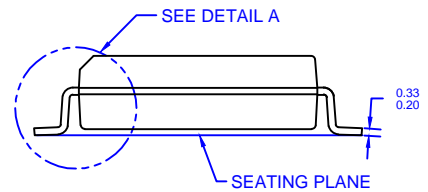
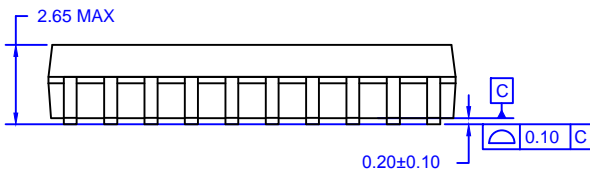


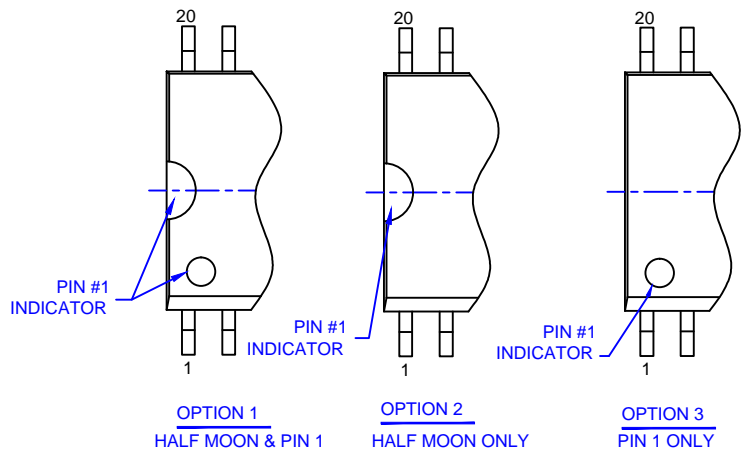
Figure 30. Switching Time Definition



LAND PATTERN RECOMMENDATION



PIN#1 IDENTIFICATION OPTIONS



NOTES: UNLESS OTHERWISE SPECIFIED

- A) THIS PACKAGE CONFORMS TO JEDEC MS-013.
- B) ALL DIMENSIONS ARE IN MILLIMETERS.
- C) DIMENSIONS DO NOT INCLUDE MOLD FLASH OR BURRS.
- D) LANDPATTERN RECOMMENDATION IS FSC DESIGN
- E) FILENAME AND REVISION: M20Brev4

ON Semiconductor and  are trademarks of Semiconductor Components Industries, LLC dba ON Semiconductor or its subsidiaries in the United States and/or other countries. ON Semiconductor owns the rights to a number of patents, trademarks, copyrights, trade secrets, and other intellectual property. A listing of ON Semiconductor's product/patent coverage may be accessed at www.onsemi.com/site/pdf/Patent-Marking.pdf. ON Semiconductor reserves the right to make changes without further notice to any products herein. ON Semiconductor makes no warranty, representation or guarantee regarding the suitability of its products for any particular purpose, nor does ON Semiconductor assume any liability arising out of the application or use of any product or circuit, and specifically disclaims any and all liability, including without limitation special, consequential or incidental damages. Buyer is responsible for its products and applications using ON Semiconductor products, including compliance with all laws, regulations and safety requirements or standards, regardless of any support or applications information provided by ON Semiconductor. "Typical" parameters which may be provided in ON Semiconductor data sheets and/or specifications can and do vary in different applications and actual performance may vary over time. All operating parameters, including "Typicals" must be validated for each customer application by customer's technical experts. ON Semiconductor does not convey any license under its patent rights nor the rights of others. ON Semiconductor products are not designed, intended, or authorized for use as a critical component in life support systems or any FDA Class 3 medical devices or medical devices with a same or similar classification in a foreign jurisdiction or any devices intended for implantation in the human body. Should Buyer purchase or use ON Semiconductor products for any such unintended or unauthorized application, Buyer shall indemnify and hold ON Semiconductor and its officers, employees, subsidiaries, affiliates, and distributors harmless against all claims, costs, damages, and expenses, and reasonable attorney fees arising out of, directly or indirectly, any claim of personal injury or death associated with such unintended or unauthorized use, even if such claim alleges that ON Semiconductor was negligent regarding the design or manufacture of the part. ON Semiconductor is an Equal Opportunity/Affirmative Action Employer. This literature is subject to all applicable copyright laws and is not for resale in any manner.

PUBLICATION ORDERING INFORMATION

LITERATURE FULFILLMENT:

Literature Distribution Center for ON Semiconductor
19521 E. 32nd Pkwy, Aurora, Colorado 80011 USA
Phone: 303-675-2175 or 800-344-3860 Toll Free USA/Canada
Fax: 303-675-2176 or 800-344-3867 Toll Free USA/Canada
Email: orderlit@onsemi.com

N. American Technical Support: 800-282-9855 Toll Free
USA/Canada
Europe, Middle East and Africa Technical Support:
Phone: 421 33 790 2910
Japan Customer Focus Center
Phone: 81-3-5817-1050

ON Semiconductor Website: www.onsemi.com
Order Literature: <http://www.onsemi.com/orderlit>
For additional information, please contact your local
Sales Representative