

- NOTES: (UNLESS OTHERWISE SPECIFIED)
1. MATERIAL: COPPER ALLOY
 2. PLATING: SEE TABLE 1
 3. PACKAGING PER PK-31301-319
 4. CRIMPING PER AS-560023-001
 5. PROBING THE CONTACT INTERFACE OF THE TERMINAL OR AT ANY POINT ON THE TERMINAL BEAM IS NOT PERMITTED
 6. -0422, -0424 TO BE DISCONTINUED AND REPLACED WITH -0444, -0445
-0444, -0445 VALIDATED TO USCAR21 REV3
SECTIONS 4.3, 4.4, & 4.5.2.

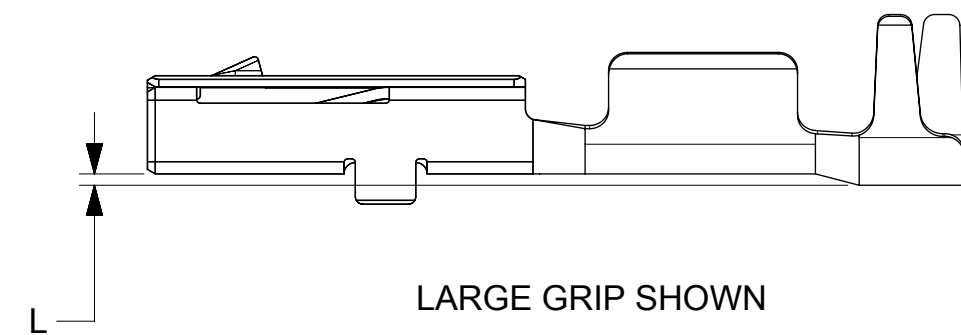
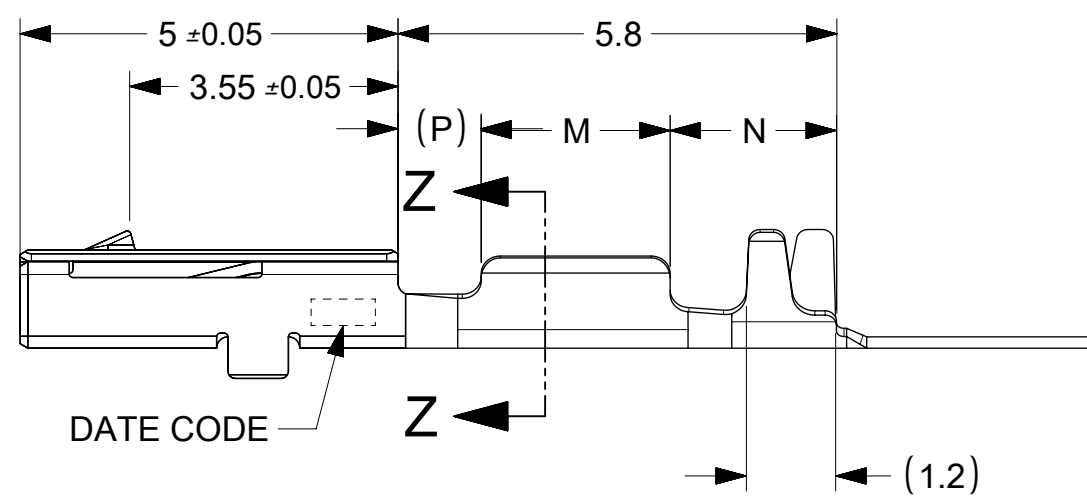
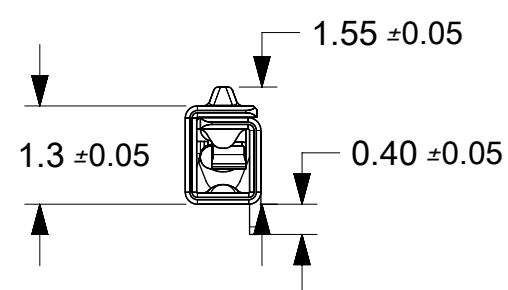


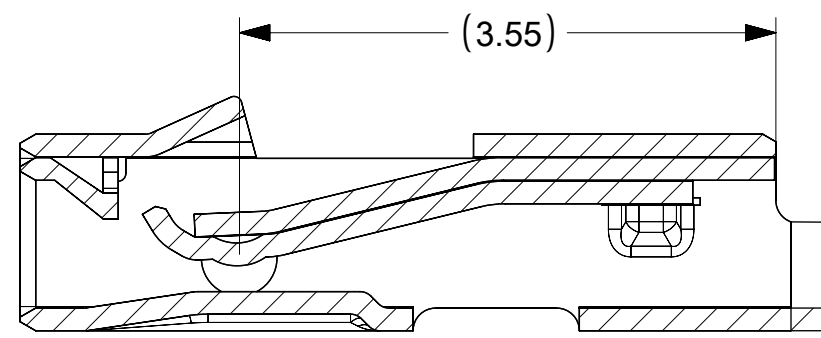
TABLE 1

PART NUMBERS		Plating	STATUS	GRIP CODE	WIRE GAGE mm ²	INSULATION MAX O.D. mm	DIM G	DIM H	DIM J	DIM K	DIM L	DIM M	DIM N	DIM P
D-WIND (LEFT PAYOFF) DEFAULT	B-WIND (RIGHT PAYOFF)						+0.20 -0.15	±0.20	±0.10	±0.20	±0.05	±0.10	±0.10	REF
560023-0421	560023-0423	Sn	SALEABLE	M	0.22	1.20	1.65	2.25	0.45	0.47	0.00	2.00	2.4	1.4
560023-0422*	560023-0424*	Sn		S	0.13	1.05	1.27	1.90	0.34	0.41	0.00	2.00	2.4	1.4
560023-0444	560023-0445	Sn		S	0.13	1.05	1.32	1.90	0.24	0.41	0.00	2.50	2.2	1.1
560023-0448	560023-0450	Sn	IN VALIDATION	L	0.35	1.40	1.65	2.35	0.40	0.68	0.15	2.50	2.2	1.1
560023-0521	560023-0523	Au		M	0.22	1.20	1.65	2.25	0.45	0.47	0.00	2.00	2.4	1.4
560023-0544	560023-0545	Au		S	0.13	1.05	1.32	1.90	0.24	0.41	0.00	2.50	2.2	1.1
560023-0548	560023-0550	Au	SALEABLE	L	0.35	1.40	1.65	2.35	0.40	0.68	0.15	2.50	2.2	1.1

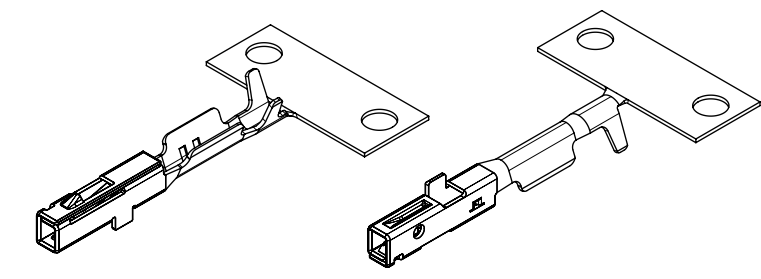
*SMALL GRIP CHANGE (SEE NOTE 6)

THIS DRAWING CONTAINS INFORMATION THAT IS PROPRIETARY TO MOLEX ELECTRONIC TECHNOLOGIES, LLC AND SHOULD NOT BE USED WITHOUT WRITTEN PERMISSION

QUALITY SYMBOLS	EC DESCRIPTION	GENERAL TOLERANCES (UNLESS SPECIFIED)	DIMENSION UNITS	SCALE	molex
▽ = 0	2018/06/05	MM INCH	mm	15:1	
▽ = 0	2018/06/07	4 PLACES ± --- ± ---	DRWN BY	DATE	CTX50 RECEPTACLE TERMINAL UNSEALED RSD
▽ = 1	2018/06/07	3 PLACES ± --- ± ---	TJSMITH	2009/05/02	
▼ = 0	2018/06/07	2 PLACES ± 0.10 ± ---	CHK'D BY	DATE	
▽ = 0	2018/06/07	1 PLACES ± 0.10 ± ---	DNICHOLAS	2009/05/20	PRODUCT CUSTOMER DRAWING
▽ = 0	2018/06/07	0 PLACES ± --- ± ---	APPR BY	DATE	
☒ = 0	2018/06/07	ANGULAR TOL = 5	BMOSER	2009/05/20	SERIES
■ = 0	2018/06/07	DRAFT WHERE APPLICABLE MUST REMAIN WITHIN DIMENSIONS	DRAWING SIZE	THIRD ANGLE PROJECTION	MATERIAL NUMBER
▽ = 0	2018/06/07		C		CUSTOMER
	EC NO: 177678				560023
	DRWN: NVENKATESHSH				SEE TABLE
	CHKD: TOMSMITH				NIO
	APP: TOMSMITH				DOCUMENT NUMBER
					5600230001
					DOC TYPE
					PSD
					DOC PART
					000
					SHEET NUMBER
					1 OF 1

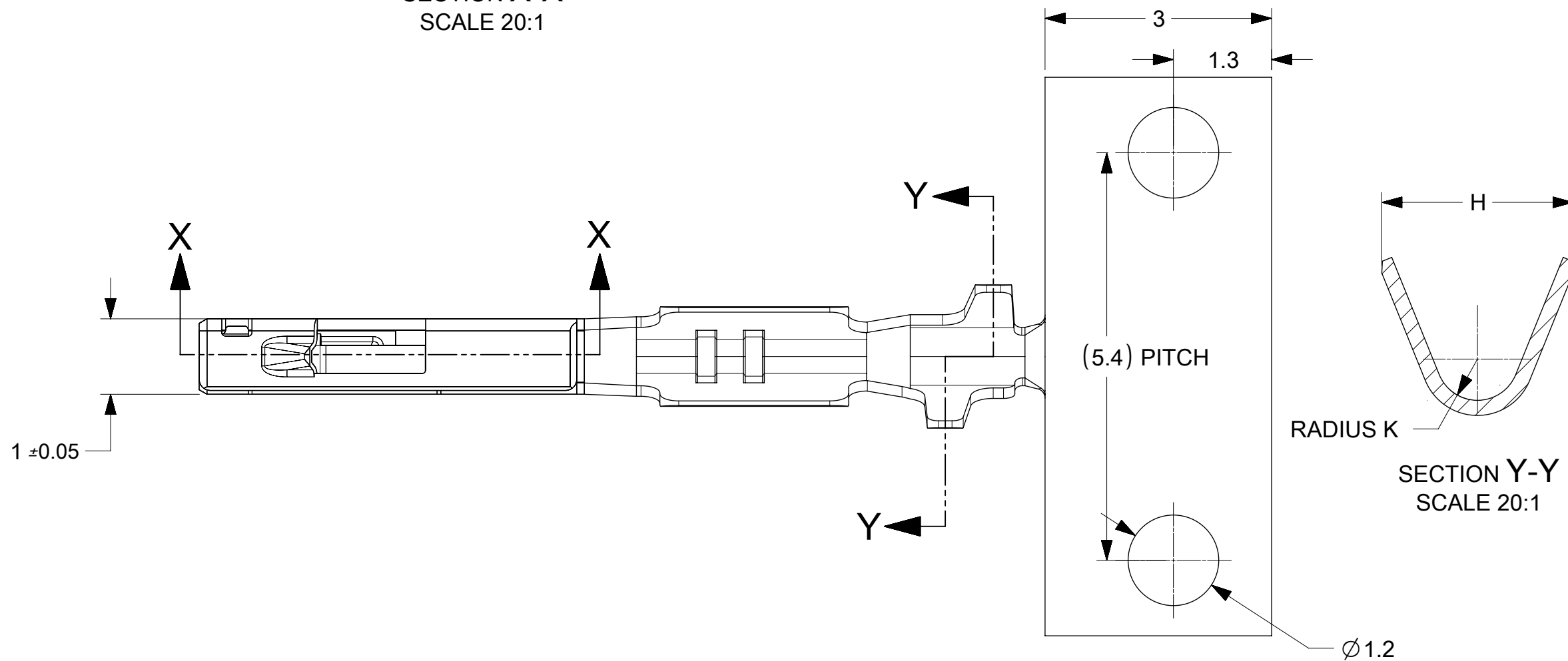


SECTION X-X
SCALE 20:1

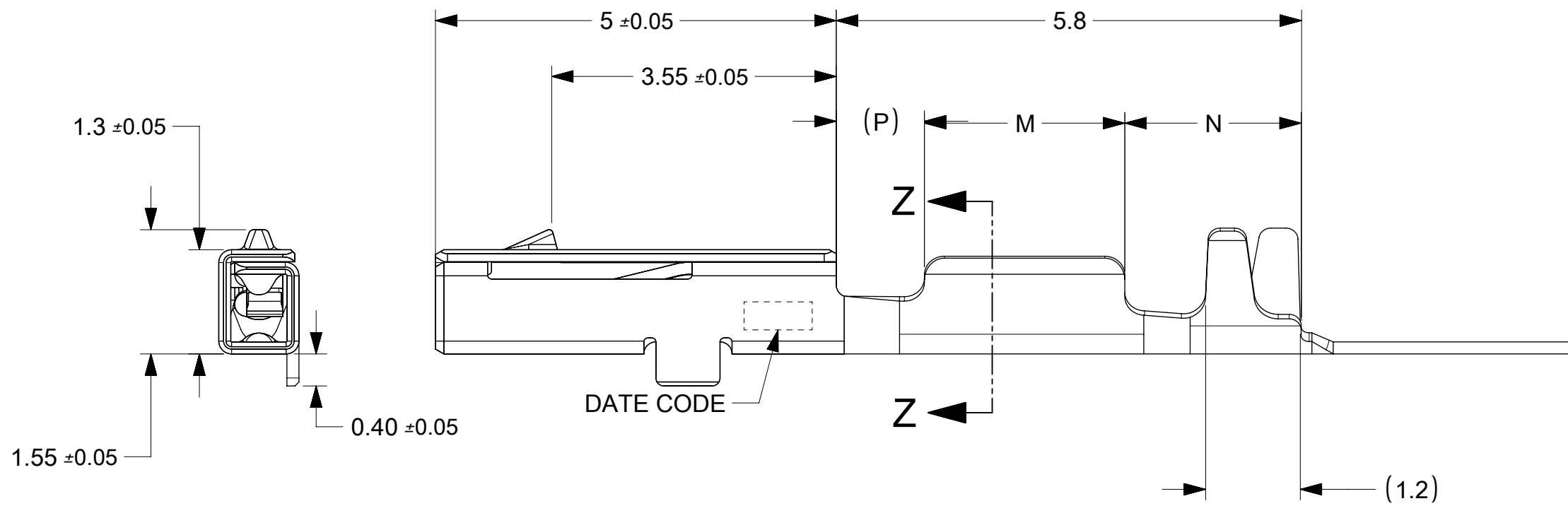
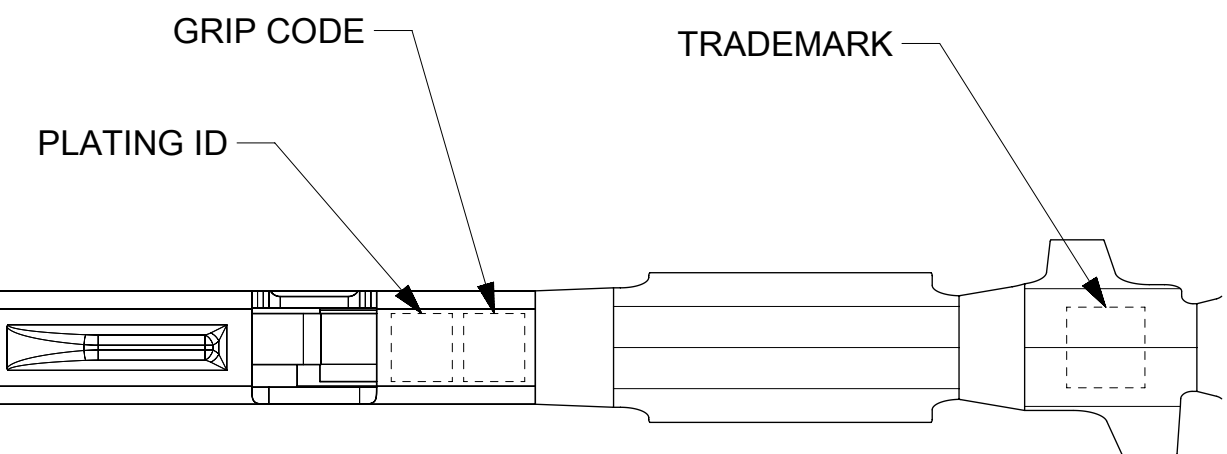


NOTES: (UNLESS OTHERWISE SPECIFIED)

1. MATERIAL: COPPER ALLOY
2. PLATING: SEE TABLE 1
3. PACKAGING PER PK-31301-319
4. CRIMPING PER AS-560023-001
5. PROBING THE CONTACT INTERFACE OF THE TERMINAL OR AT ANY POINT ON THE TERMINAL BEAM IS NOT PERMITTED



RADIUS K
SECTION Y-Y
SCALE 20:1



RADIUS J
SECTION Z-Z
SCALE 20:1

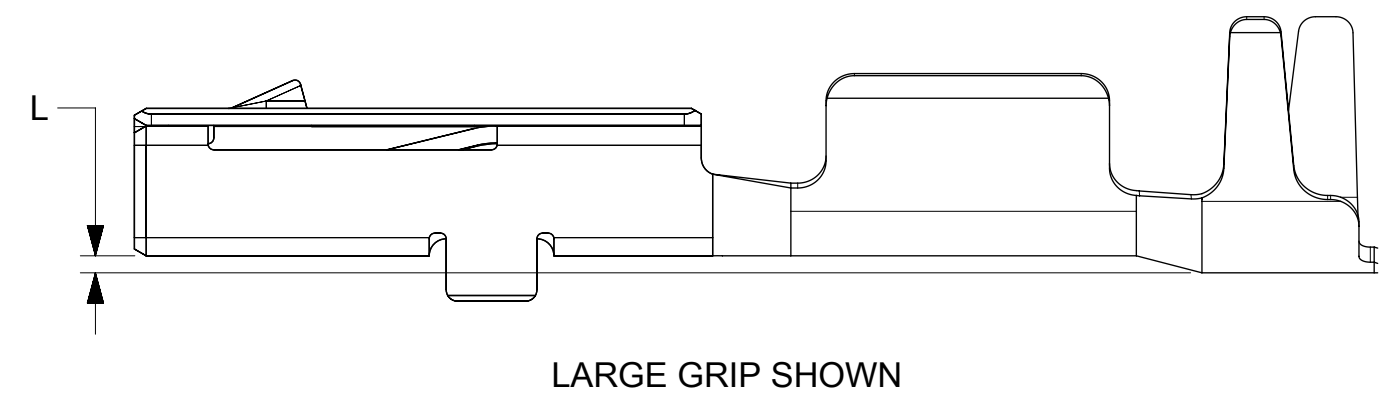


TABLE 1

PART NUMBERS		Plating	STATUS	GRIP CODE	WIRE GAGE mm ²	INSULATION MAX O.D. mm	DIM	DIM	DIM	DIM	DIM	DIM	DIM	DIM
D-WIND (LEFT PAYOFF) DEFAULT	B-WIND (RIGHT PAYOFF)						G	H	J	K	L	M	N	P
560023-0421	560023-0423	Sn	SALEABLE	M	0.22	1.05	1.65	2.25	0.45	0.47	0.00	2.00	2.4	1.4
560023-0444	560023-0445	Sn		S	0.13	1.05	1.32	1.90	0.24	0.41	0.00	2.50	2.2	1.1
560023-0448	560023-0450	Sn		L	0.35	1.40	1.65	2.35	0.40	0.68	0.15	2.50	2.2	1.1
560023-0521	560023-0523	Au	IN VALIDATION	M	0.22	1.05	1.65	2.25	0.45	0.47	0.00	2.00	2.4	1.4
560023-0544	560023-0545	Au	SALEABLE	S	0.13	1.05	1.32	1.90	0.24	0.41	0.00	2.50	2.2	1.1
560023-0548	560023-0550	Au		L	0.35	1.40	1.65	2.35	0.40	0.68	0.15	2.50	2.2	1.1

QUALITY SYMBOLS		THIS DRAWING CONTAINS INFORMATION THAT IS PROPRIETARY TO MOLEX ELECTRONIC TECHNOLOGIES, LLC AND SHOULD NOT BE USED WITHOUT WRITTEN PERMISSION																
▽ = 0	▽ = 0	EC NO: 609329 DRWN: SMAHADIK CHKD: TOMSMITH REV APPR: TOMSMITH 2018/06/26 2019/01/02 2019/01/02	GENERAL TOLERANCES (UNLESS SPECIFIED)				DIMENSION UNITS		SCALE									
▽ = 0	▽ = 0		mm		15:1													
▽ = 0	▽ = 0		DRWN BY		DATE		CTRX50 RECEPTACLE TERMINAL UNSEALED											
▽ = 0	▽ = 0		TJSMITH		2009/05/02		PRODUCT CUSTOMER DRAWING											
▽ = 0	▽ = 0		CHK'D BY		DATE		SERIES MATERIAL NUMBER CUSTOMER											
▽ = 0	▽ = 0		DNICHOLAS		2009/05/20		560023		SEE TABLE								GENERAL MARKET	
▽ = 0	▽ = 0	APPR BY		DATE		DOCUMENT NUMBER		DOC TYPE		DOC PART SHEET NUMBER								
▽ = 0	▽ = 0	BMOSER		2009/05/20		SD-560023-002		PSD		000 1 OF 1								
▽ = 0	▽ = 0	ANGULAR TOL = 5		DRAWING SIZE		THIRD ANGLE PROJECTION												
▽ = 0	▽ = 0	C		C														
▽ = 0	▽ = 0	DRAFT WHERE APPLICABLE MUST REMAIN WITHIN DIMENSIONS																