



EFC6605R

N-Channel Power MOSFET 20V, 10A, 13.3mΩ, Dual EFCP

ON Semiconductor®
<http://onsemi.com>

Features

- 2.5V drive
- Protection diode in
- Halogen free compliance
- Common-drain type
- 2KV ESD HBM

Applications

- Lithium-ion battery charging and discharging switch

Specifications

Absolute Maximum Ratings at Ta = 25°C

Parameter	Symbol	Conditions	Value	Unit
Source to Source Voltage	V _{SSS}		20	V
Gate to Source Voltage	V _{GSS}		±10	V
Source Current (DC)	I _S		10	A
Source Current (Pulse)	I _{SP}	PW≤10μs, duty cycle≤1%	60	A
Total Dissipation	P _T	When mounted on ceramic substrate (5000mm ² ×0.8mm)	1.6	W
Junction Temperature	T _j		150	°C
Storage Temperature	T _{stg}		- 55 to +150	°C

Stresses exceeding those listed in the Maximum Ratings table may damage the device. If any of these limits are exceeded, device functionality should not be assumed, damage may occur and reliability may be affected.

Thermal Resistance Ratings

Parameter	Symbol	Value	Unit
Junction to Ambient When mounted on ceramic substrate (5000mm ² ×0.8mm)	R _{θJA}	78.1	°C /W

Electrical Characteristics at Ta = 25°C

Parameter	Symbol	Conditions	Value			Unit
			min	typ	max	
Source to Source Breakdown Voltage	V(BR) _{SSS}	I _S =1mA, V _{GS} =0V	20			V
Zero-Gate Voltage Source Current	I _{SSS}	V _{SS} =20V, V _{GS} =0V			1	μA
Gate to Source Leakage Current	I _{GSS}	V _{GS} =±8V, V _{SS} =0V			±1.0	μA
Gate Threshold Voltage	V _{GS(th)}	V _{SS} 10V, I _S =1mA	0.5		1.3	V
Forward Transconductance	g _{FS}	V _{SS} =10V, I _S =3A		11.4		S
Static Source to Source On-State Resistance	R _{SS(on)1}	I _S =3A, V _{GS} =4.5V	8.8	11.1	13.3	mΩ
	R _{SS(on)2}	I _S =3A, V _{GS} =4.0V	9.1	11.4	13.7	mΩ
	R _{SS(on)3}	I _S =3A, V _{GS} =3.8V	9.3	11.6	13.9	mΩ
	R _{SS(on)4}	I _S =3A, V _{GS} =3.1V	10.0	12.5	15.6	mΩ
	R _{SS(on)5}	I _S =3A, V _{GS} =2.5V	11.1	13.9	17.4	mΩ

Continued on next page.

ORDERING INFORMATION

See detailed ordering and shipping information on page 2 of this data sheet.

EFC6605R

Continued from preceding page.

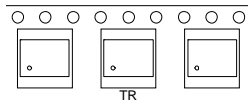
Parameter	Symbol	Conditions	Value			Unit
			min	typ	max	
Turn-ON Delay Time	$t_{d(on)}$	$V_{SS}=10V, V_{GS}=4.5V, I_S=3A$ Test Circuit 6		154		ns
Rise Time	t_r			678		ns
Turn-OFF Delay Time	$t_{d(off)}$			44400		ns
Fall Time	t_f			60800		ns
Total Gate Charge	Qg	$V_{SS}=10V, V_{GS}=4.5V, I_S=10A$ Test Circuit 7		19.8		nC
Forward Source to Source Voltage	$V_{F(S-S)}$	$I_S=3A, V_{GS}=0V$ Test Circuit 8		0.75	1.2	V

Product parametric performance is indicated in the Electrical Characteristics for the listed test conditions, unless otherwise noted. Product performance may not be indicated by the Electrical Characteristics if operated under different conditions.

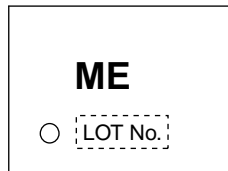
Ordering & Package Information

Device	Package	Shipping	note
EFC6605R-TR	EFCP	5,000 pcs. / reel	Pb-Free and Halogen Free

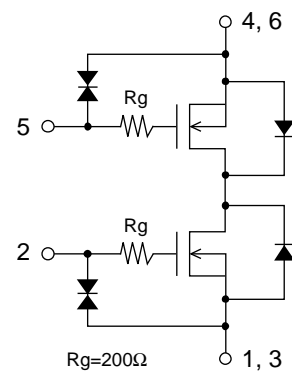
Packing Type: TR



Marking

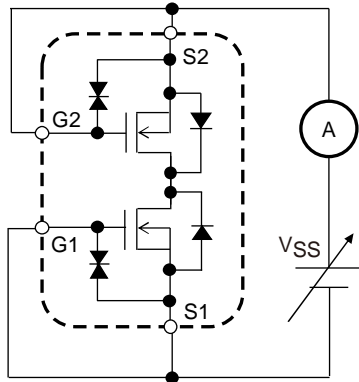


Electrical Connection

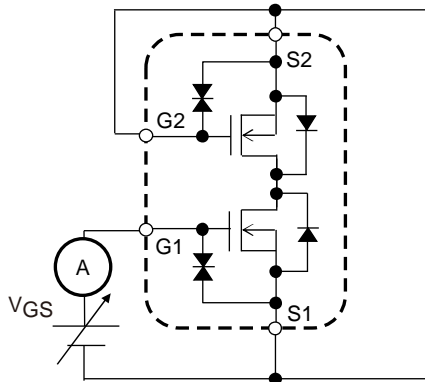


Test circuits are example of measuring FET1 side

Test Circuit 1
I_{SSS}

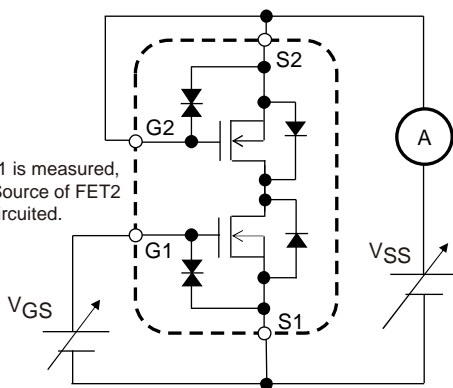


Test Circuit 2
I_{GSS}



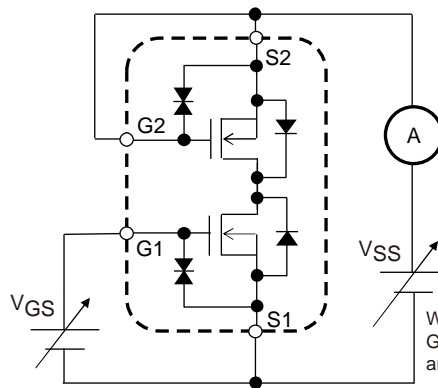
When FET1 is measured, Gate and Source of FET2 are short-circuited.

Test Circuit 3
V_{GS(th)}



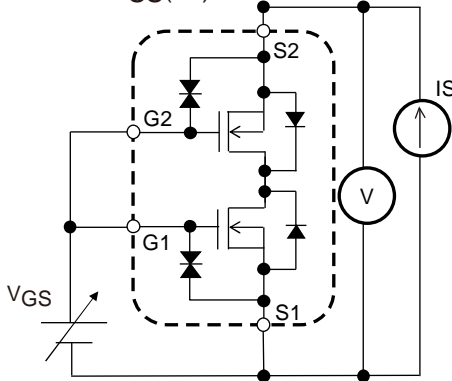
When FET1 is measured, Gate and Source of FET2 are short-circuited.

Test Circuit 4
g_{FS}

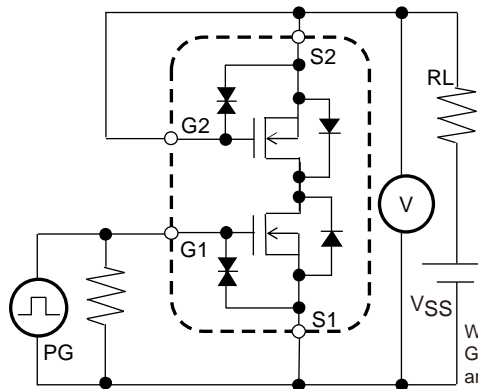


When FET1 is measured, Gate and Source of FET2 are short-circuited.

Test Circuit 5
R_{SS(on)}

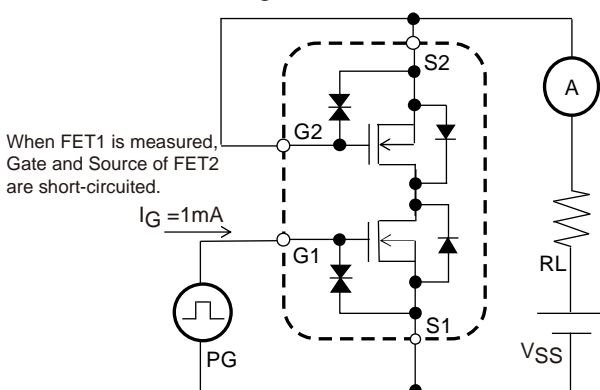


Test Circuit 6
t_{d(on)}, t_r, t_{d(off)}, t_f



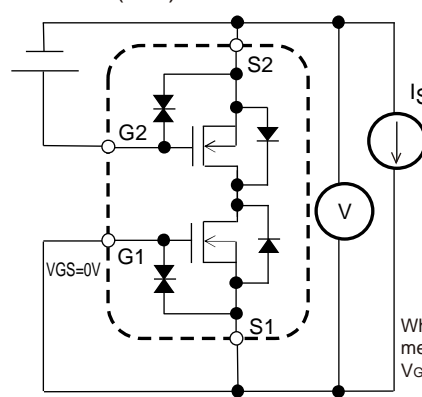
When FET1 is measured, Gate and Source of FET2 are short-circuited.

Test Circuit 7
Q_g



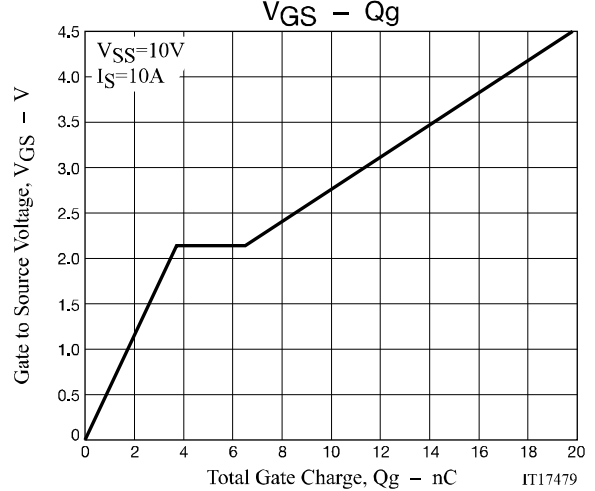
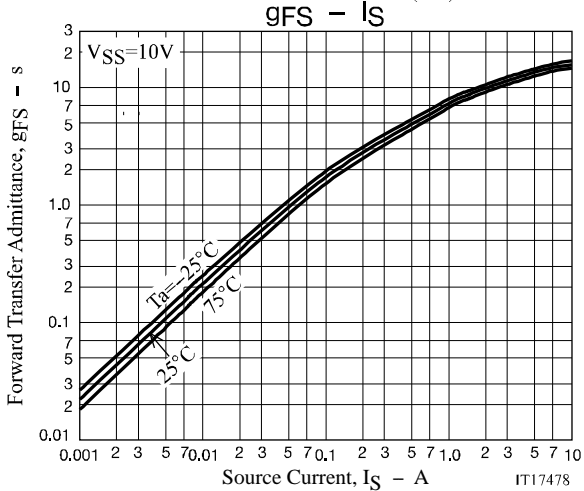
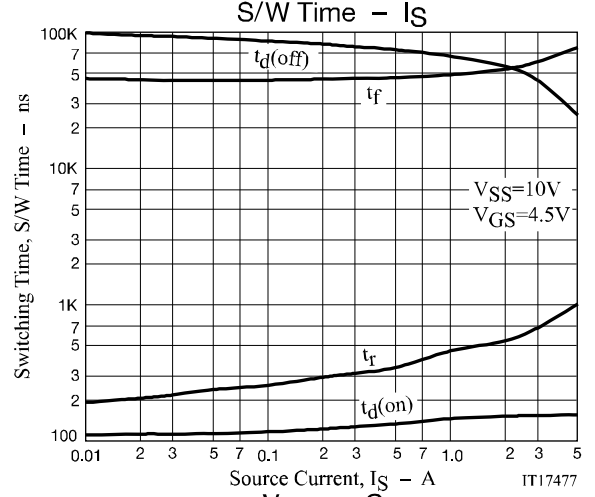
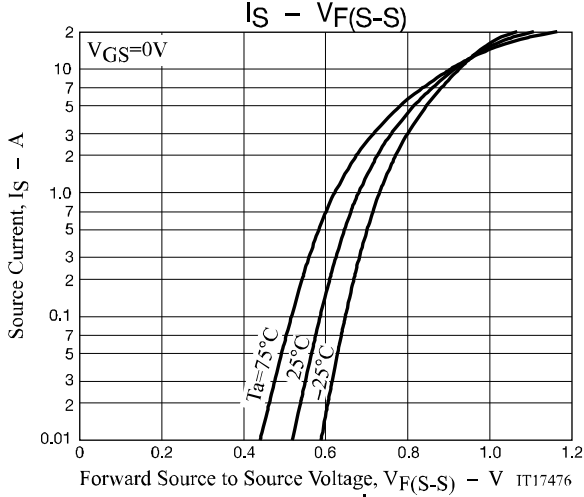
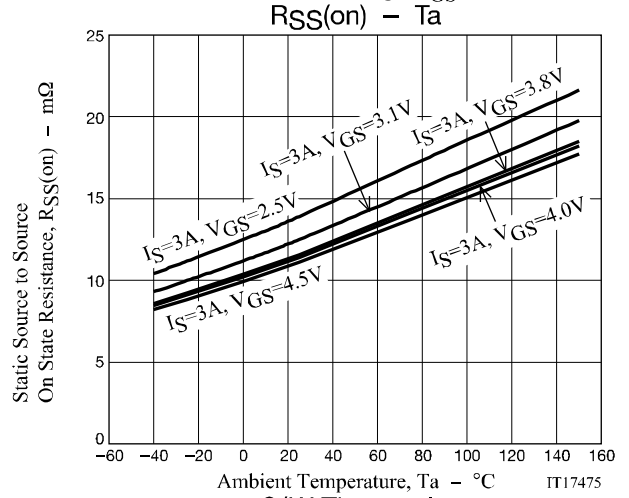
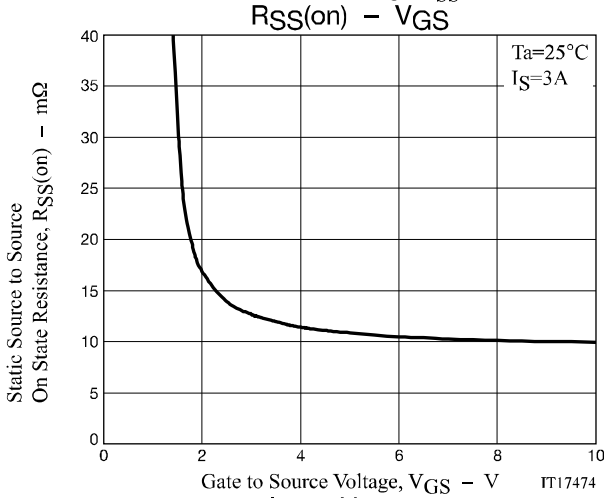
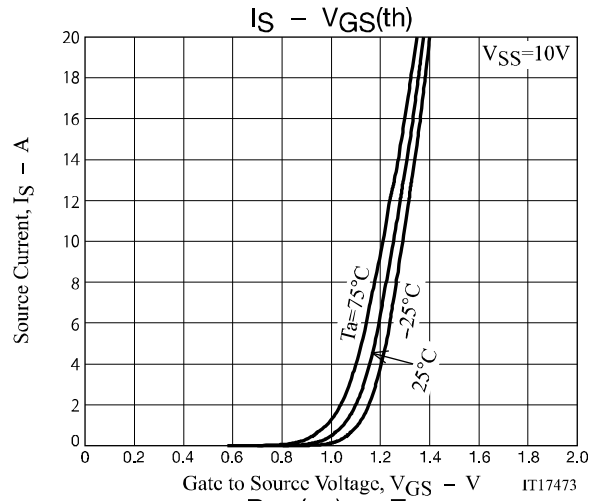
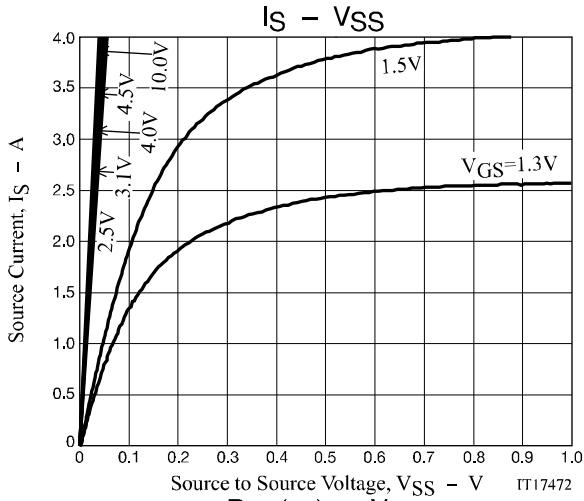
When FET1 is measured, Gate and Source of FET2 are short-circuited.

Test Circuit 8
V_{F(S-S)}

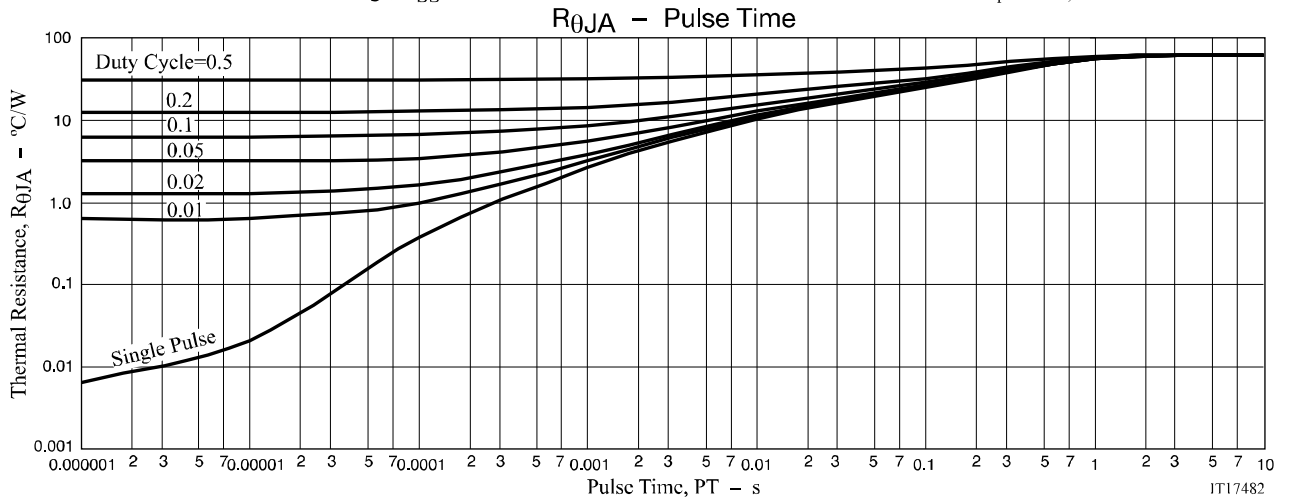
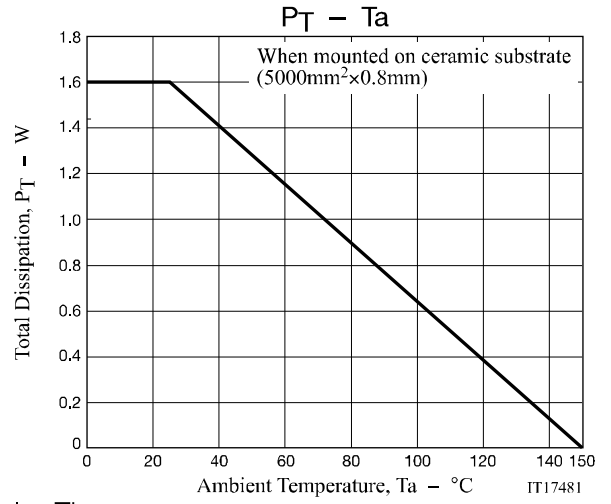
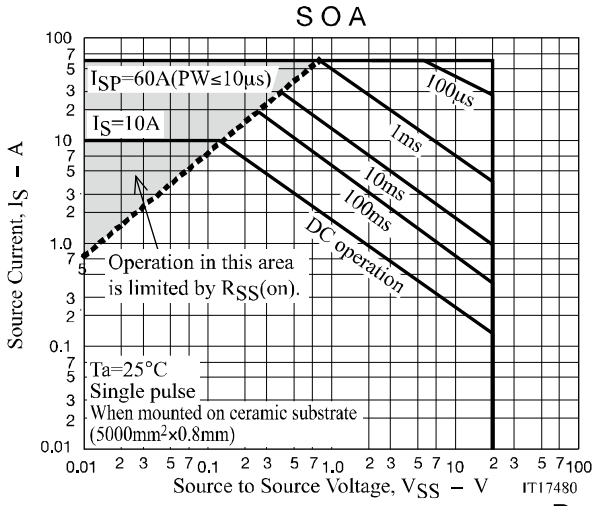


When FET1 is measured, +4.5V is added to V_{GS} of FET2.

When FET2 is measured, the position of FET1 and FET2 is switched.



EFC6605R



EFC6605R

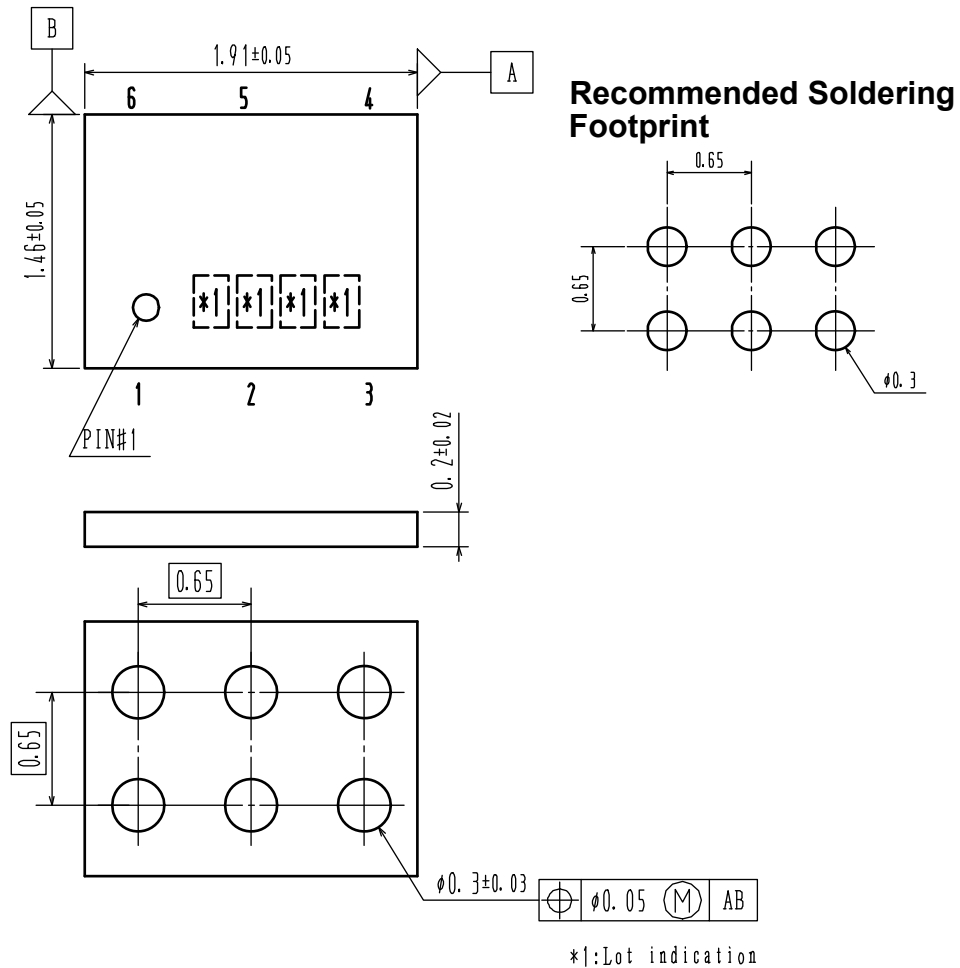
Package Dimensions

EFC6605R-TR

EFCP1915-6CE-020

unit : mm

- 1: Source1
- 2: Gate1
- 3: Source1
- 4: Source2
- 5: Gate2
- 6: Source2



Note on usage : Since the EFC6605R is a MOSFET product, please avoid using this device in the vicinity of highly charged objects.

ON Semiconductor and the ON logo are registered trademarks of Semiconductor Components Industries, LLC (SCILLC). SCILLC owns the rights to a number of patents, trademarks, copyrights, trade secrets, and other intellectual property. A listing of SCILLC's product/patent coverage may be accessed at www.onsemi.com/site/pdf/Patent-Marking.pdf. SCILLC reserves the right to make changes without further notice to any products herein. SCILLC makes no warranty, representation or guarantee regarding the suitability of its products for any particular purpose, nor does SCILLC assume any liability arising out of the application or use of any product or circuit, and specifically disclaims any and all liability, including without limitation special, consequential or incidental damages. "Typical" parameters which may be provided in SCILLC data sheets and/or specifications can and do vary in different applications and actual performance may vary over time. All operating parameters, including "Typicals" must be validated for each customer application by customer's technical experts. SCILLC does not convey any license under its patent rights nor the rights of others. SCILLC products are not designed, intended, or authorized for use as components in systems intended for surgical implant into the body, or other applications intended to support or sustain life, or for any other application in which the failure of the SCILLC product could create a situation where personal injury or death may occur. Should Buyer purchase or use SCILLC products for any such unintended or unauthorized application, Buyer shall indemnify and hold SCILLC and its officers, employees, subsidiaries, affiliates, and distributors harmless against all claims, costs, damages, and expenses, and reasonable attorney fees arising out of, directly or indirectly, any claim of personal injury or death associated with such unintended or unauthorized use, even if such claim alleges that SCILLC was negligent regarding the design or manufacture of the part. SCILLC is an Equal Opportunity/Affirmative Action Employer. This literature is subject to all applicable copyright laws and is not for resale in any manner.