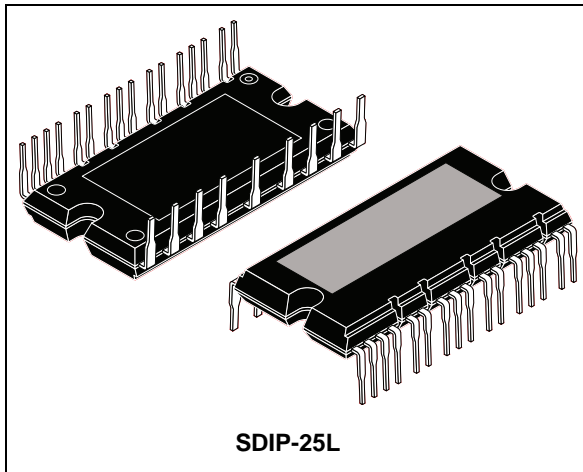


SLLIMM™ small low-loss intelligent molded module IPM, 3-phase inverter, 10 A, 600 V short-circuit rugged IGBT

Datasheet - production data



Features

- IPM 10 A, 600 V 3-phase IGBT inverter bridge including control ICs for gate driving and free-wheeling diodes
- Short-circuit rugged IGBTs
- $V_{CE(sat)}$ negative temperature coefficient
- 3.3 V, 5 V, 15 V CMOS/TTL inputs comparators with hysteresis and pull-down / pull-up resistors
- Undervoltage lockout
- Internal bootstrap diode
- Interlocking function
- Shut down function
- DBC substrate leading to low thermal resistance
- Isolation rating of 2500 V_{rms}/min
- 4.7 k Ω NTC for temperature control
- UL recognized: UL1557 file E81734

Applications

- 3-phase inverters for motor drives
- Home appliances, such as washing machines, refrigerators, air conditioners and sewing machines

Description

This intelligent power module provides a compact, high performance AC motor drive in a simple, rugged design. Combining ST proprietary control ICs with the most advanced short-circuit-rugged IGBT system technology, this device is ideal for 3-phase inverters in applications such as home appliances and air conditioners. SLLIMM™ is a trademark of STMicroelectronics.

Table 1. Device summary

| Order code | Marking | Package | Packing |
|--------------|------------|----------|---------|
| STGIPS10K60T | GIPS10K60T | SDIP-25L | Tube |

Contents

- 1 Internal block diagram and pin configuration 3**
- 2 Electrical ratings 5**
 - 2.1 Absolute maximum ratings 5
 - 2.2 Thermal data 6
- 3 Electrical characteristics 7**
 - 3.1 Control part 9
 - 3.1.1 NTC thermistor 11
 - 3.2 Waveforms definitions 12
- 4 Applications information 13**
 - 4.1 Recommendations 14
- 5 Package information 15**
 - 5.1 SDIP-25L package information 15
 - 5.2 Packing information 17
- 6 Revision history 18**

1 Internal block diagram and pin configuration

Figure 1. Internal block diagram

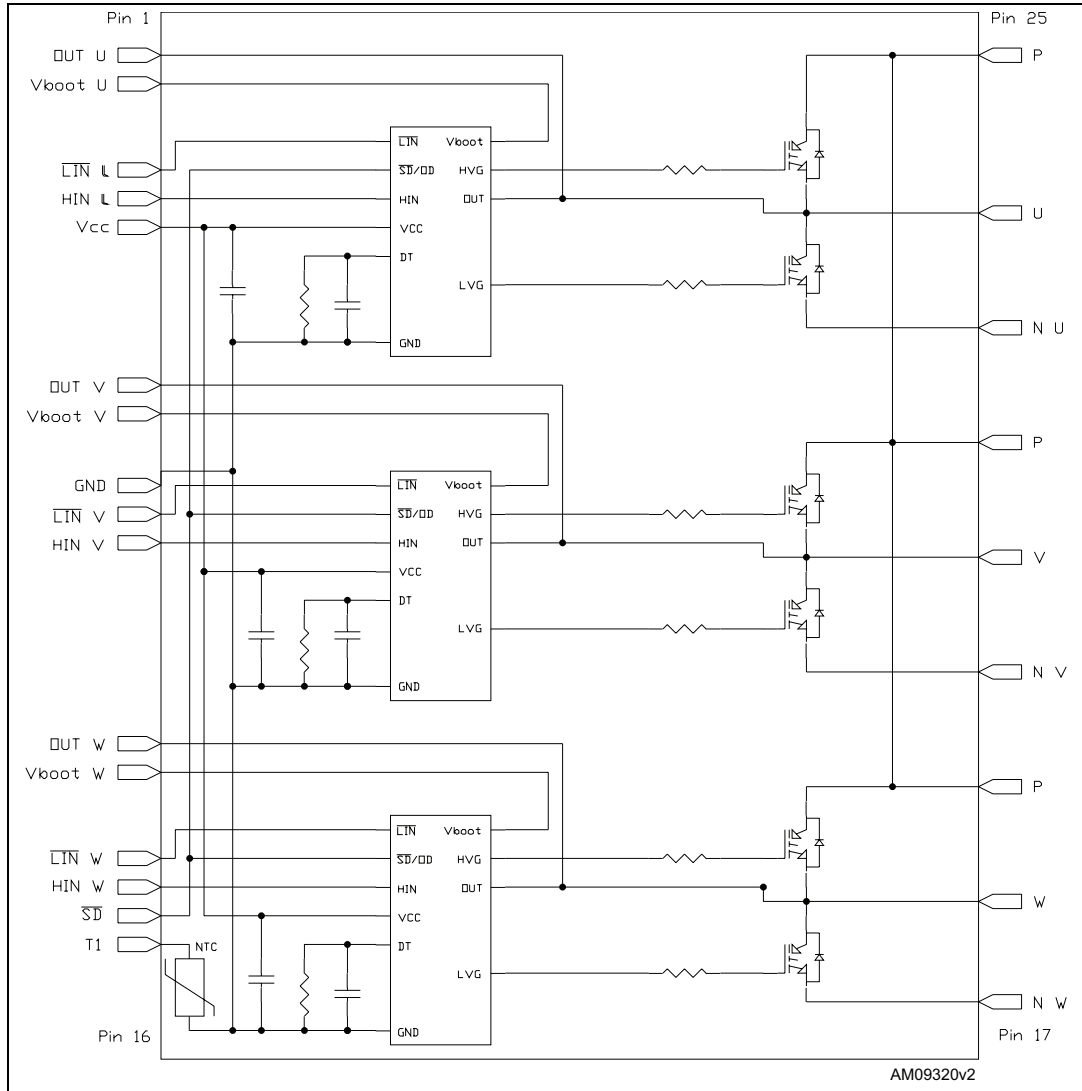
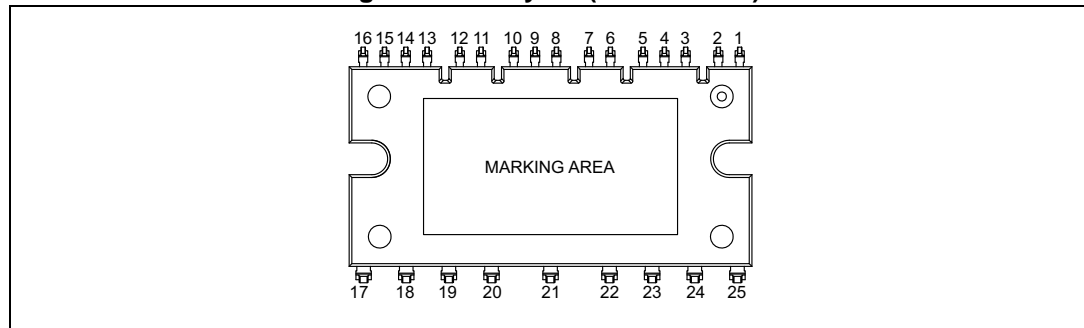


Table 2. Pin description

| Pin n° | Symbol | Description |
|--------|---------------------|--|
| 1 | OUT _U | High side reference output for U phase |
| 2 | V _{boot U} | Bootstrap voltage for U phase |
| 3 | LIN _U | Low side logic input for U phase |
| 4 | HIN _U | High side logic input for U phase |
| 5 | V _{CC} | Low voltage power supply |
| 6 | OUT _V | High side reference output for V phase |
| 7 | V _{boot V} | Bootstrap voltage for V phase |
| 8 | GND | Ground |
| 9 | LIN _V | Low side logic input for V phase |
| 10 | HIN _V | High side logic input for V phase |
| 11 | OUT _W | High side reference output for W phase |
| 12 | V _{boot W} | Bootstrap voltage for W phase |
| 13 | LIN _W | Low side logic input for W phase |
| 14 | HIN _W | High side logic input for W phase |
| 15 | SD | Shut down logic input (active low) |
| 16 | T1 | NTC thermistor terminal |
| 17 | N _W | Negative DC input for W phase |
| 18 | W | W phase output |
| 19 | P | Positive DC input |
| 20 | N _V | Negative DC input for V phase |
| 21 | V | V phase output |
| 22 | P | Positive DC input |
| 23 | N _U | Negative DC input for U phase |
| 24 | U | U phase output |
| 25 | P | Positive DC input |

Figure 2. Pin layout (bottom view)



2 Electrical ratings

2.1 Absolute maximum ratings

Table 3. Inverter part

| Symbol | Parameter | Value | Unit |
|--------------------|--|-------|---------------|
| V_{PN} | Supply voltage applied between P - N_U , N_V , N_W | 450 | V |
| $V_{PN(surge)}$ | Supply voltage (surge) applied between P - N_U , N_V , N_W | 500 | V |
| V_{CES} | Each IGBT collector emitter voltage ($V_{IN}^{(1)} = 0$) | 600 | V |
| $\pm I_C^{(2)}$ | Each IGBT continuous collector current at $T_C = 25^\circ\text{C}$ | 10 | A |
| $\pm I_{CP}^{(3)}$ | Each IGBT pulsed collector current | 20 | A |
| P_{TOT} | Each IGBT total dissipation at $T_C = 25^\circ\text{C}$ | 33 | W |
| t_{scw} | Short-circuit withstand time, $V_{CE} = 0.5 V_{(BR)CES}$ $T_j = 125^\circ\text{C}$, $V_{CC} = V_{boot} = 15\text{ V}$, $V_{IN(1)} = 5\text{ V}$ | 5 | μs |

1. Applied between HIN_i , \overline{LIN}_i and G_{ND} for $i = U, V, W$.
2. Calculated according to the iterative formula:

$$I_C(T_C) = \frac{T_{j(max)} - T_C}{R_{thj-c} \times V_{CE(sat)(max)}(T_{j(max)}, I_C(T_C))}$$

3. Pulse width limited by max junction temperature.

Table 4. Control part

| Symbol | Parameter | Min. | Max. | Unit |
|---------------|--|-----------------|------------------|------|
| V_{OUT} | Output voltage applied between OUT_U , OUT_V , OUT_W - GND | $V_{boot} - 21$ | $V_{boot} + 0.3$ | V |
| V_{CC} | Low voltage power supply | - 0.3 | 21 | V |
| V_{boot} | Bootstrap voltage | - 0.3 | 620 | V |
| V_{IN} | Logic input voltage applied between HIN , \overline{LIN} and GND | - 0.3 | 15 | V |
| V_{SD} | SD voltage | - 0.3 | 15 | V |
| dV_{OUT}/dt | Allowed output slew rate | | 50 | V/ns |

Table 5. Total system

| Symbol | Parameter | Value | Unit |
|-----------|---|------------|------------------|
| V_{ISO} | Isolation withstand voltage applied between each pin and heatsink plate (AC voltage, $t = 60\text{ sec.}$) | 2500 | V |
| T_C | Module case operation temperature | -40 to 125 | $^\circ\text{C}$ |
| T_J | Power chips operating junction temperature | -40 to 150 | $^\circ\text{C}$ |

2.2 Thermal data

Table 6. Thermal data

| Symbol | Parameter | Value | Unit |
|------------|--|-------|------|
| R_{thJC} | Thermal resistance junction-case single IGBT max. | 3.8 | °C/W |
| | Thermal resistance junction-case single diode max. | 5.5 | °C/W |

3 Electrical characteristics

T_J = 25 °C unless otherwise specified.

Table 7. Inverter part

| Symbol | Parameter | Test conditions | Value | | | Unit |
|---|--|--|-------|------|------|------|
| | | | Min. | Typ. | Max. | |
| V _{CE(sat)} | Collector-emitter saturation voltage | V _{CC} = V _{boot} = 15 V, V _{IN} ⁽¹⁾ = 5 V, I _C = 5 A | - | 2.1 | 2.5 | V |
| | | V _{CC} = V _{boot} = 15 V, V _{IN} ⁽¹⁾ = 5 V, I _C = 5 A, T _J = 125 °C | - | 1.8 | | |
| I _{CES} | Collector-cut off current (V _{IN} ⁽¹⁾ = 0 "logic state") | V _{CE} = 550 V V _{CC} = V _{boot} = 15 V | - | | 150 | µA |
| V _F | Diode forward voltage | (V _{IN} ⁽¹⁾ = 0 "logic state"), I _C = 5 A | - | | 1.9 | V |
| Inductive load switching time and energy | | | | | | |
| t _{on} | Turn-on time | V _{DD} = 300 V, V _{CC} = V _{boot} = 15 V, V _{IN} ⁽¹⁾ = 0 ÷ 5 V, I _C = 5 A (see Figure 4) | - | 320 | - | ns |
| t _{c(on)} | Crossover time (on) | | - | 70 | - | |
| t _{off} | Turn-off time | | - | 430 | - | |
| t _{c(off)} | Crossover time (off) | | - | 135 | - | |
| t _{rr} | Reverse recovery time | | - | 130 | - | |
| E _{on} | Turn-on switching losses | | - | 65 | - | µJ |
| E _{off} | Turn-off switching losses | | - | 75 | - | |

1. Applied between HIN_i, $\overline{\text{LIN}}_i$ and GND for i = U, V, W (LIN inputs are active-low).

Note: t_{ON} and t_{OFF} include the propagation delay time of the internal drive. t_{C(ON)} and t_{C(OFF)} are the switching time of IGBT itself under the internally given gate driving condition.

Figure 3. Switching time test circuit

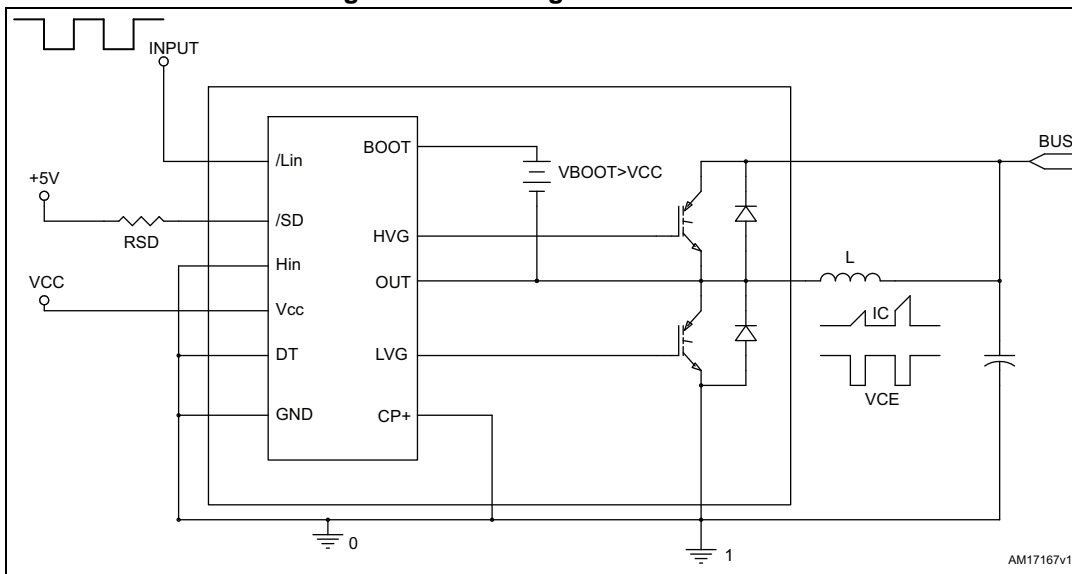
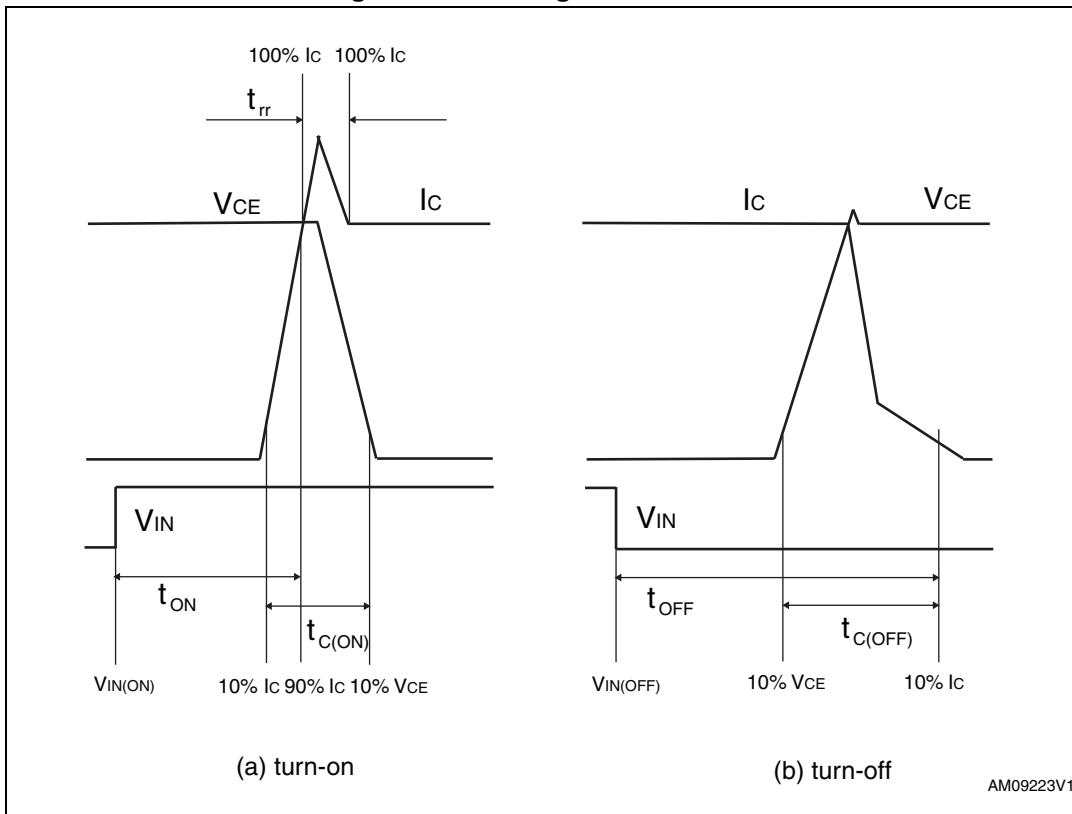


Figure 4. Switching time definition



Note: Figure 4 "Switching time definition" refers to HIN inputs (active high). For \overline{LIN} inputs (active low), V_{IN} polarity must be inverted for turn-on and turn-off.

3.1 Control part

Table 8. Low voltage power supply ($V_{CC} = 15\text{ V}$ unless otherwise specified)

| Symbol | Parameter | Test conditions | Min. | Typ. | Max. | Unit |
|-----------------|---------------------------------------|--|------|------|------|---------------|
| V_{CC_hys} | V_{CC} UV hysteresis | | 1.2 | 1.5 | 1.8 | V |
| V_{CC_thON} | V_{CC} UV turn ON threshold | | 11.5 | 12 | 12.5 | V |
| V_{CC_thOFF} | V_{CC} UV turn OFF threshold | | 10 | 10.5 | 11 | V |
| I_{qccu} | Undervoltage quiescent supply current | $V_{CC} = 10\text{ V}$ $\overline{SD} = 5\text{ V}; \overline{LIN} = 5\text{ V};$ $H_{IN} = 0$ | | | 450 | μA |
| I_{qcc} | Quiescent current | $V_{CC} = 15\text{ V}$ $\overline{SD} = 5\text{ V}; \overline{LIN} = 5\text{ V}$ $H_{IN} = 0$ | | | 3.5 | mA |

Table 9. Bootstrapped voltage ($V_{CC} = 15\text{ V}$ unless otherwise specified)

| Symbol | Parameter | Test conditions | Min. | Typ. | Max. | Unit |
|-----------------|---|---|------|------|------|---------------|
| V_{BS_hys} | V_{BS} UV hysteresis | | 1.2 | 1.5 | 1.8 | V |
| V_{BS_thON} | V_{BS} UV turn ON threshold | | 11.1 | 11.5 | 12.1 | V |
| V_{BS_thOFF} | V_{BS} UV turn OFF threshold | | 9.8 | 10 | 10.6 | V |
| I_{QBSU} | Undervoltage V_{BS} quiescent current | $V_{BS} < 9\text{ V}$ $\overline{SD} = 5\text{ V}; \overline{LIN}$ and $H_{IN} = 5\text{ V}$ | | 70 | 110 | μA |
| I_{QBS} | V_{BS} quiescent current | $V_{BS} = 15\text{ V}$ $\overline{SD} = 5\text{ V}; \overline{LIN}$ and $H_{IN} = 5\text{ V}$ | | 200 | 300 | μA |
| $R_{DS(on)}$ | Bootstrap driver on resistance | LVG ON | | 120 | | W |

Table 10. Logic inputs ($V_{CC} = 15\text{ V}$ unless otherwise specified)

| Symbol | Parameter | Test conditions | Min. | Typ. | Max. | Unit |
|------------|---|--------------------------------|------|------|------|---------------|
| V_{il} | Low logic level voltage | | 0.8 | | 1.1 | V |
| V_{ih} | High logic level voltage | | 1.9 | | 2.25 | V |
| I_{HINh} | HIN logic "1" input bias current | $H_{IN} = 15\text{ V}$ | 110 | 175 | 260 | μA |
| I_{HINl} | HIN logic "0" input bias current | $H_{IN} = 0\text{ V}$ | | | 1 | μA |
| I_{LINl} | \overline{LIN} logic "1" input bias current | $\overline{LIN} = 0\text{ V}$ | 3 | 6 | 20 | μA |
| I_{LINh} | \overline{LIN} logic "0" input bias current | $\overline{LIN} = 15\text{ V}$ | | | 1 | μA |
| I_{SDh} | \overline{SD} logic "0" input bias current | $\overline{SD} = 15\text{ V}$ | 30 | 120 | 300 | μA |
| I_{SDl} | \overline{SD} logic "1" input bias current | $\overline{SD} = 0\text{ V}$ | | | 3 | μA |
| Dt | Dead time | see Figure 9 | | 600 | | ns |

Table 11. Shut down characteristics ($V_{CC} = 15\text{ V}$ unless otherwise specified)

| Symbol | Parameter | Test conditions | Min. | Typ. | Max. | Unit |
|----------|---|---|------|------|------|------|
| t_{sd} | Shut down to high / low side driver propagation delay | $V_{OUT} = 0, V_{boot} = V_{CC}, V_{IN} = 0 \text{ to } 3.3\text{ V}$ | 50 | 125 | 200 | ns |

Table 12. Truth table

| Condition | Logic input (V_I) | | | Output | |
|--|-----------------------|------------------|-----|--------|-----|
| | \overline{SD} | \overline{LIN} | HIN | LVG | HVG |
| Shutdown enable half-bridge tri-state | L | X | X | L | L |
| Interlocking half-bridge tri-state | H | L | H | L | L |
| 0 "logic state" half-bridge tri-state | H | H | L | L | L |
| 1 "logic state" low side direct driving | H | L | L | H | L |
| 1 "logic state" high side direct driving | H | H | H | L | H |

Note: X: don't care

Figure 5. Maximum $I_{C(RMS)}$ current vs. switching frequency ⁽¹⁾

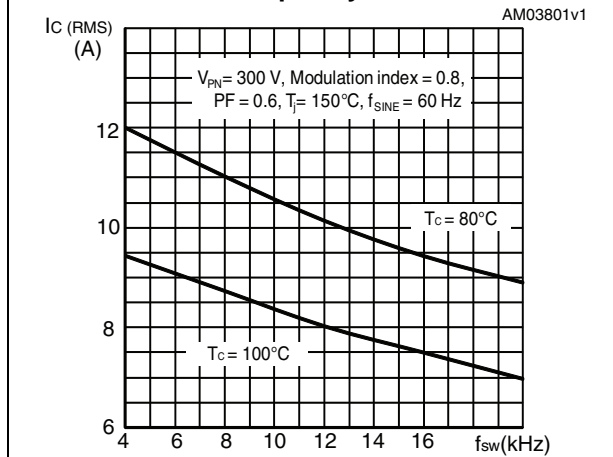
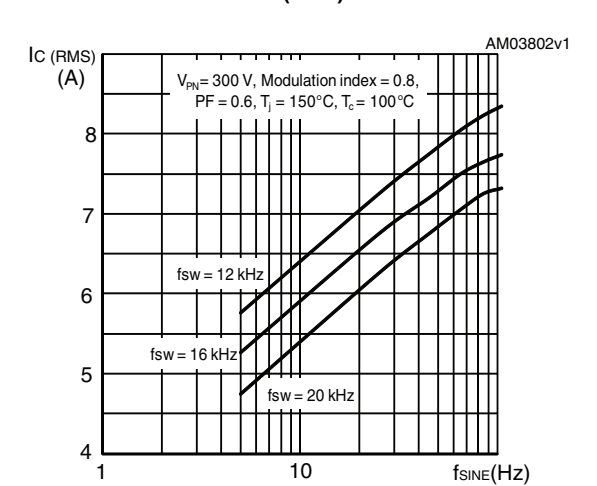


Figure 6. Maximum $I_{C(RMS)}$ current vs. f_{SINE} ⁽¹⁾



1. Simulated curves refer to typical IGBT parameters and maximum R_{thJC} .



3.1.1 NTC thermistor

Table 13. NTC thermistor

| Symbol | Parameter | Test conditions | Min. | Typ. | Max. | Unit. |
|------------------|-----------------------|--------------------|------|------|------|-------|
| R ₂₅ | Resistance | T = 25 °C | | 4.7 | | kΩ |
| R ₁₂₅ | Resistance | T = 125 °C | | 160 | | Ω |
| B | B-constant | T = 25 °C to 85 °C | | 3950 | | K |
| T | Operating temperature | | -40 | | 150 | °C |

Equation 1: resistance variation vs. temperature

$$R(T) = R_{25} \cdot e^{B \left(\frac{1}{T} - \frac{1}{298} \right)}$$

Where T are temperatures in Kelvins

Figure 7. NTC resistance vs. temperature

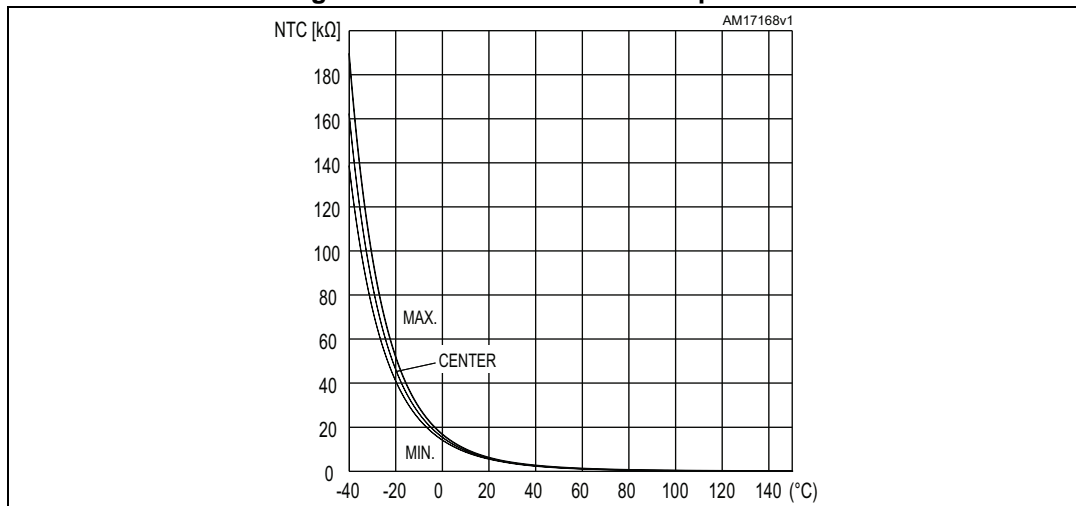
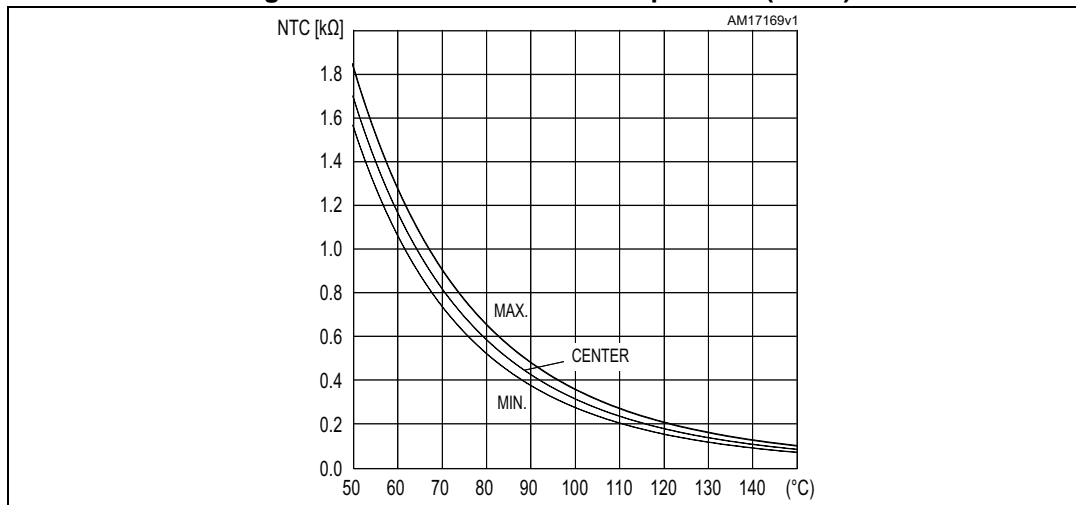
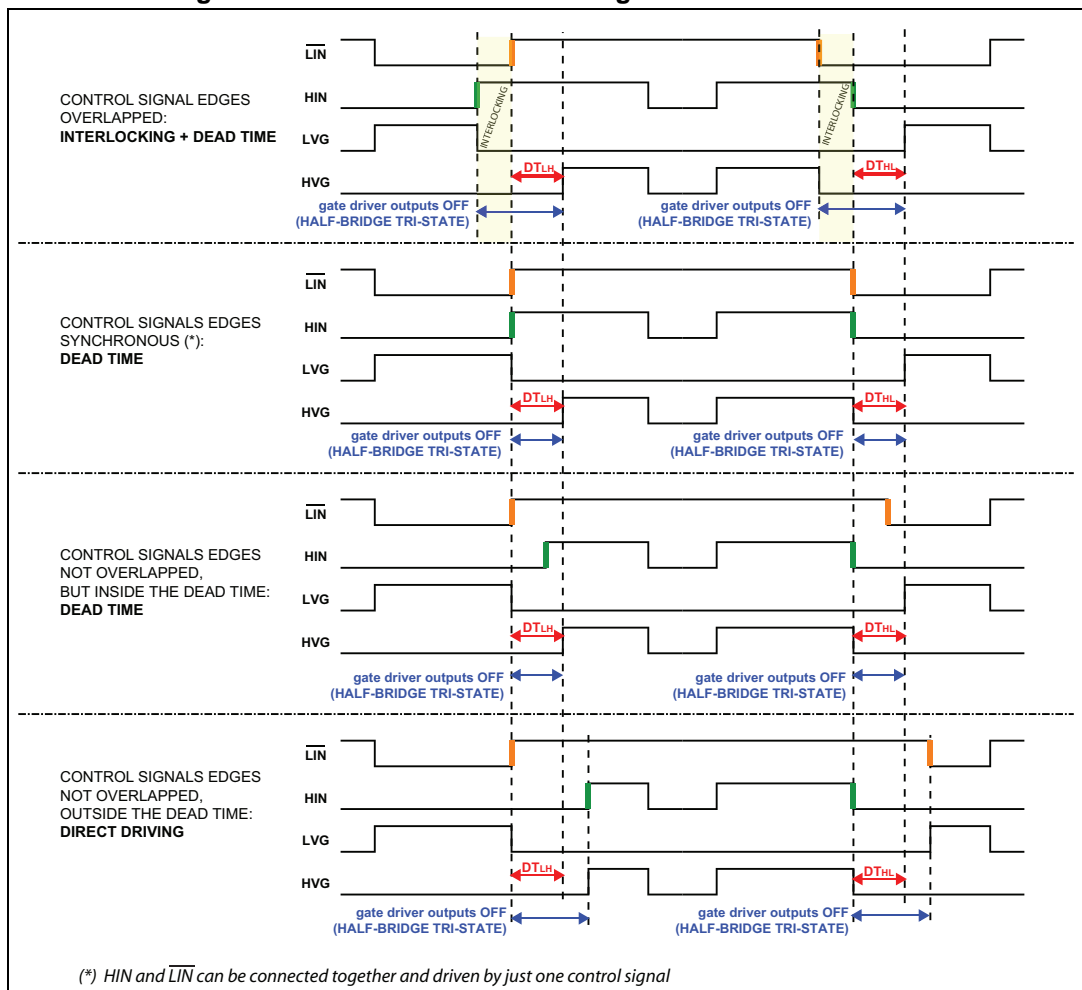


Figure 8. NTC resistance vs. temperature (zoom)



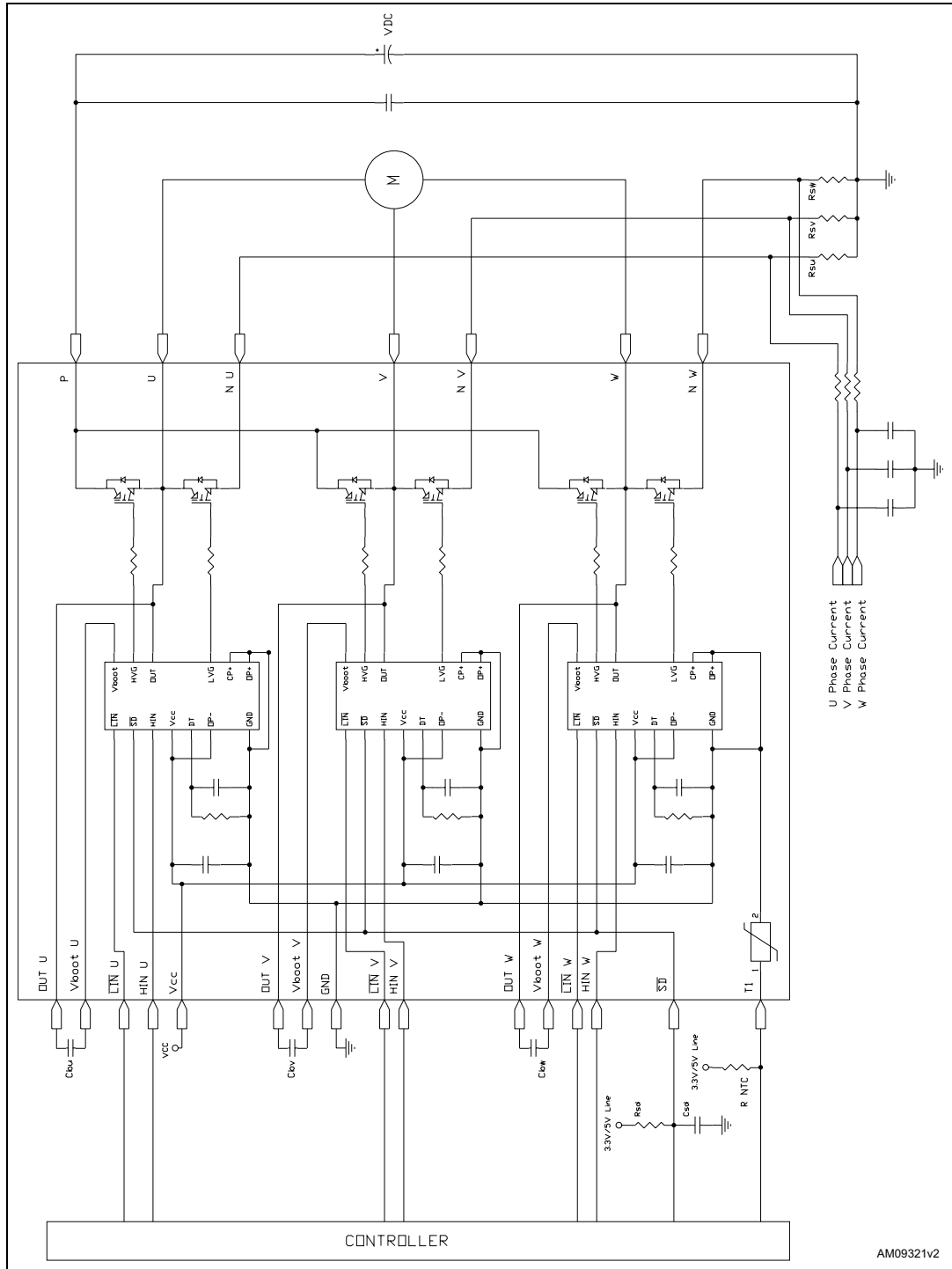
3.2 Waveforms definitions

Figure 9. Dead time and interlocking waveforms definitions



4 Applications information

Figure 10. Typical application circuit



AM09321v2

4.1 Recommendations

- Input signal HIN is active high logic. A 85 kΩ (typ.) pull down resistor is built-in for each high side input. If an external RC filter is used, for noise immunity, pay attention to the variation of the input signal level.
- Input signal /LIN is active low logic. A 720 kΩ (typ.) pull-up resistor, connected to an internal 5 V regulator through a diode, is built-in for each low side input.
- To prevent the input signals oscillation, the wiring of each input should be as short as possible.
- By integrating an application specific type HVIC inside the module, direct coupling to MCU terminals without any opto-coupler is possible.
- Each capacitor should be located as nearby the pins of IPM as possible.
- Low inductance shunt resistors should be used for phase leg current sensing.
- Electrolytic bus capacitors should be mounted as close to the module bus terminals as possible. Additional high frequency ceramic capacitor mounted close to the module pins will further improve performance.
- The \overline{SD} signal should be pulled up to 5 V / 3.3 V with an external resistor.

Table 14. Recommended operating conditions

| Symbol | Parameter | Conditions | Value | | | Unit |
|------------|------------------------------------|---|-------|------|------|------|
| | | | Min. | Typ. | Max. | |
| V_{PN} | Supply voltage | Applied between P-Nu, Nv, Nw | | 300 | 400 | V |
| V_{CC} | Control supply voltage | Applied between V_{CC} -GND | 13.5 | 15 | 18 | V |
| V_{BS} | High side bias voltage | Applied between V_{BOOTi} - OUT_i for $i = U, V, W$ | 13 | | 18 | V |
| t_{dead} | Blanking time to prevent arm-short | For each input signal | 1 | | | μs |
| f_{PWM} | Pwm input signal | -40°C < T_C < 100°C -40°C < T_j < 125°C | | | 20 | kHz |
| T_C | Case operation temperature | | | | 100 | °C |

For further details, refer to AN3338.

5 Package information

In order to meet environmental requirements, ST offers these devices in different grades of ECOPACK[®] packages, depending on their level of environmental compliance. ECOPACK[®] specifications, grade definitions and product status are available at: www.st.com. ECOPACK[®] is an ST trademark.

Please refer to dedicated technical note TN0107 for mounting instructions.

5.1 SDIP-25L package information

Figure 11. SDIP-25L package outline

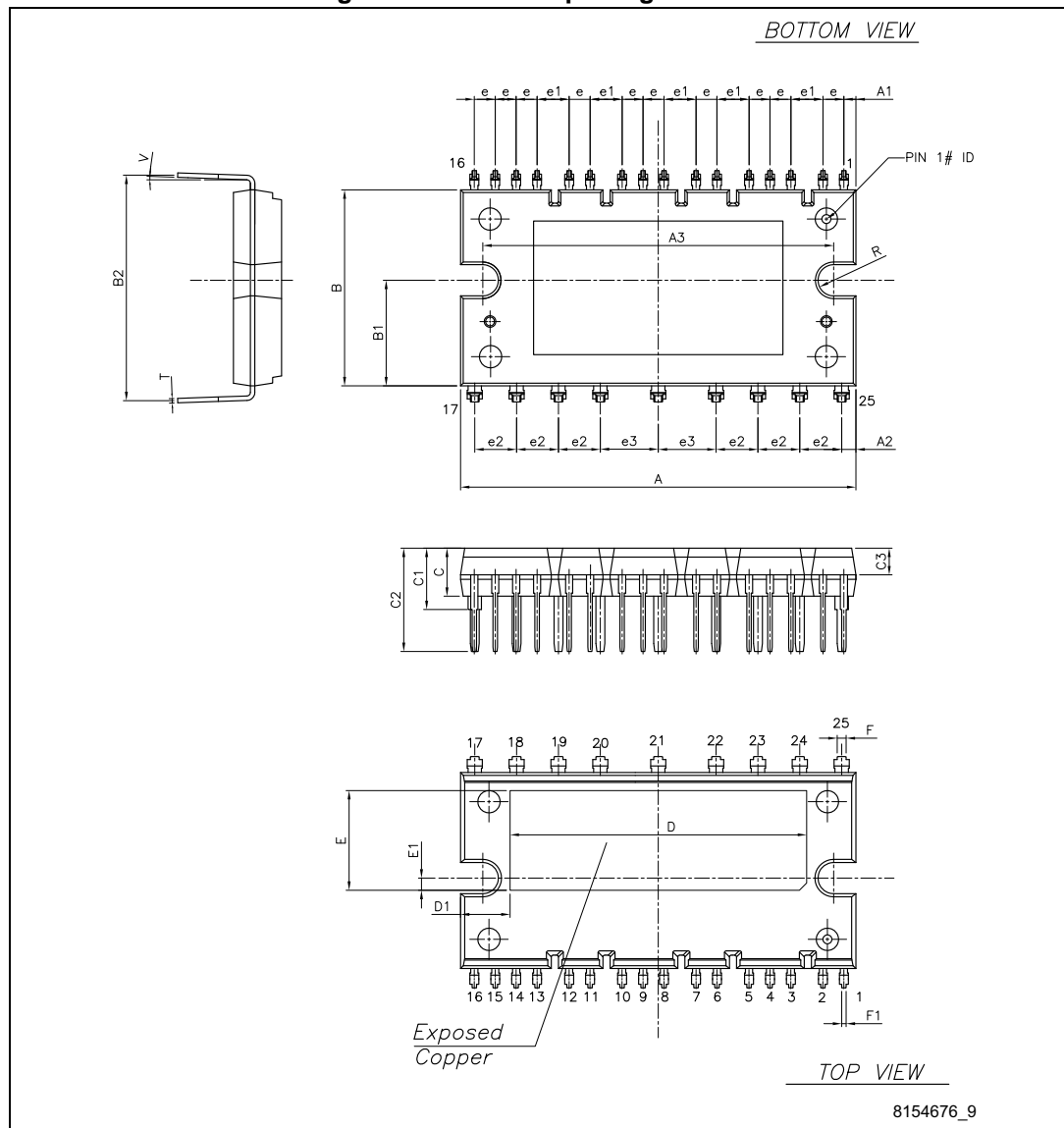
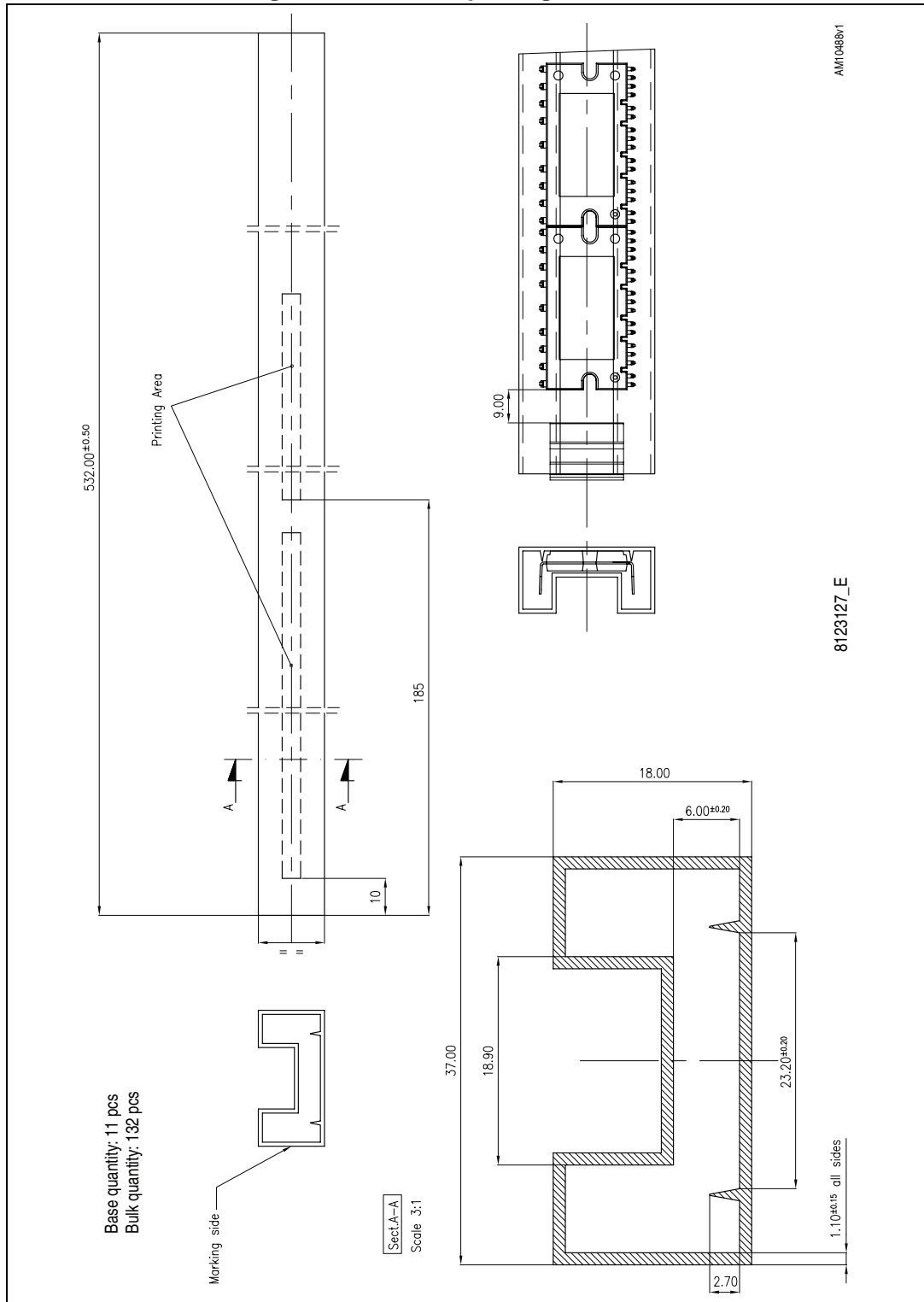


Table 15. SDIP-25L mechanical data

| Dim. | mm | | |
|------|-------|-------|-------|
| | Min. | Typ. | Max. |
| A | 43.90 | 44.40 | 44.90 |
| A1 | 1.15 | 1.35 | 1.55 |
| A2 | 1.40 | 1.60 | 1.80 |
| A3 | 38.90 | 39.40 | 39.90 |
| B | 21.50 | 22.00 | 22.50 |
| B1 | 11.25 | 11.85 | 12.45 |
| B2 | 24.83 | 25.23 | 25.63 |
| C | 5.00 | 5.40 | 6.00 |
| C1 | 6.50 | 7.00 | 7.50 |
| C2 | 11.20 | 11.70 | 12.20 |
| C3 | 2.90 | 3.00 | 3.10 |
| e | 2.15 | 2.35 | 2.55 |
| e1 | 3.40 | 3.60 | 3.80 |
| e2 | 4.50 | 4.70 | 4.90 |
| e3 | 6.30 | 6.50 | 6.70 |
| D | | 33.30 | |
| D1 | | 5.55 | |
| E | | 11.20 | |
| E1 | | 1.40 | |
| F | 0.85 | 1.00 | 1.15 |
| F1 | 0.35 | 0.50 | 0.65 |
| R | 1.55 | 1.75 | 1.95 |
| T | 0.45 | 0.55 | 0.65 |
| V | 0° | | 6° |

5.2 Packing information

Figure 12. SDIP-25L packing information



6 Revision history

Table 16. Document revision history

| Date | Revision | Changes |
|-------------|----------|---|
| 07-Mar-2011 | 1 | Initial release. |
| 14-Sep-2011 | 2 | Modified Section 3.1.1 on page 11 . |
| 28-Aug-2012 | 3 | Modified: Min. and Max. value Table 4 on page 5 . Updated: Table 15 on page 15 , Figure 11 on page 15 and Figure 12 on page 17 . Added: Figure 13 on page 18 . |
| 30-Apr-2013 | 4 | Modified: – description pin 15 Table 2 on page 4 , V _{SD} parameter Table 4 on page 5 . – Figure 3 on page 8 and Figure 7 on page 11 . Added: – Figure 8 on page 11 . |
| 14-Apr-2015 | 5 | Text edits and formatting changes throughout document Updated Figure 2: Pin layout (bottom view) Updated Section 5: Package information |

IMPORTANT NOTICE – PLEASE READ CAREFULLY

STMicroelectronics NV and its subsidiaries ("ST") reserve the right to make changes, corrections, enhancements, modifications, and improvements to ST products and/or to this document at any time without notice. Purchasers should obtain the latest relevant information on ST products before placing orders. ST products are sold pursuant to ST's terms and conditions of sale in place at the time of order acknowledgement.

Purchasers are solely responsible for the choice, selection, and use of ST products and ST assumes no liability for application assistance or the design of Purchasers' products.

No license, express or implied, to any intellectual property right is granted by ST herein.

Resale of ST products with provisions different from the information set forth herein shall void any warranty granted by ST for such product.

ST and the ST logo are trademarks of ST. All other product or service names are the property of their respective owners.

Information in this document supersedes and replaces information previously supplied in any prior versions of this document.

© 2015 STMicroelectronics – All rights reserved