

Product Change Notification

PRECISION POTENTIOMETERS

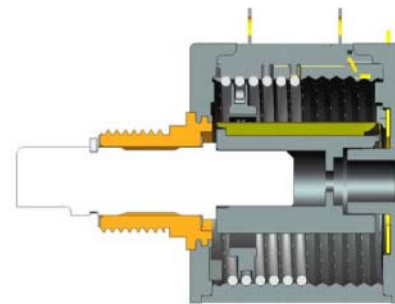
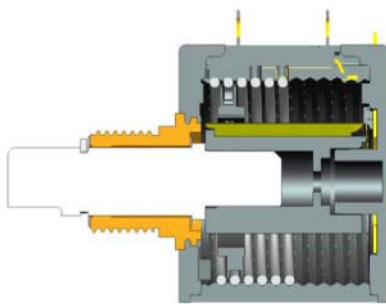


April, 2012

Model 3547/3548/3549 Product Enhancements

In line with our commitment to product excellence and continuous improvement, Bourns® Sensor & Controls Product Line is pleased to introduce design enhancements to our Model 3547, 3548 & 3549 Multiturn Wirewound Precision Potentiometers.

The enhancements include design changes to the bushing and shaft interfaces for better stability under side load, and an optimized front lid heat stake operation to provide a more rigid structure to the potentiometer body. Please refer to the shaft/bushing design illustrations below:



Old Shaft / Bushing Design

New Shaft / Bushing Design

Externally, the changes can be recognized by the heat stake marks on the front lid as shown in the adjacent photo. It should be noted that these marks do not alter the outline dimensions in any way. Enhancements to this product family will have no effect on form, fit or function.

All performance specifications listed on the current data sheets will remain unchanged. These design enhancements allow the potentiometer to withstand higher side loads (within rated limits) typically encountered with many machine-to-machine applications.

Please note that enhancements to this product family will be implemented in production and begin shipping on June 1, 2012. Please ensure that your customers are notified of these scheduled product enhancements and implementation date.

Should you have any questions or need additional information, please contact [Customer Service/Inside Sales](#).

