

Dear Customer,

With this INFINEON Technologies Information Note we would like to inform you about the following

Harmonisation of 330mm reel boxes for Integrated Pressure Sensor products

N° 107/20

Harmonisation of 330mm reel boxes for Integrated Pressure Sensor products

► **Products affected:**

Please refer to attached affected product list 1_cip10720.

► **Detailed Change Information:**

Subject: Introduction of optimized box design and dimension for 330mm reels.

Reason: Minimize the variety of box sizes and optimize the box design for 330mm reels at IFX worldwide.

Description:

Old

New

Packing Box Design

- See 3_cip10720

Packing Box Dimension

- See 3_cip10720

► **Product Identification:**

Traceability is ensured by lot number and date code.

► **Impact of Change:**

Infineon does not see any negative impact on quality, function, reliability, and process ability. No change of fit and form.

► **Attachments:**

Affected product list 1_cip10720
Additional information 3_cip10720

► **Intended start of delivery:**

01-February-2021

If you have any questions, please do not hesitate to contact your local Sales office.

3_cip10720: Additional information

Harmonisation of 330mm reel boxes for Integrated Pressure Sensor products

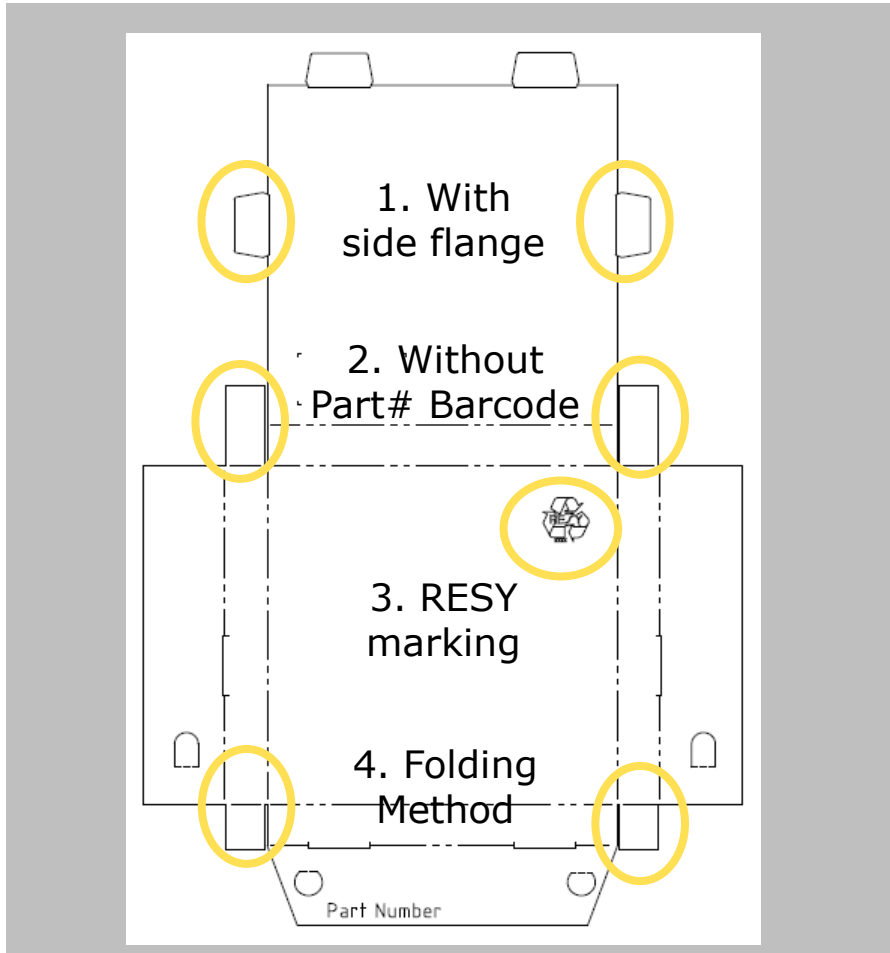
Nov. 2020

- restricted -

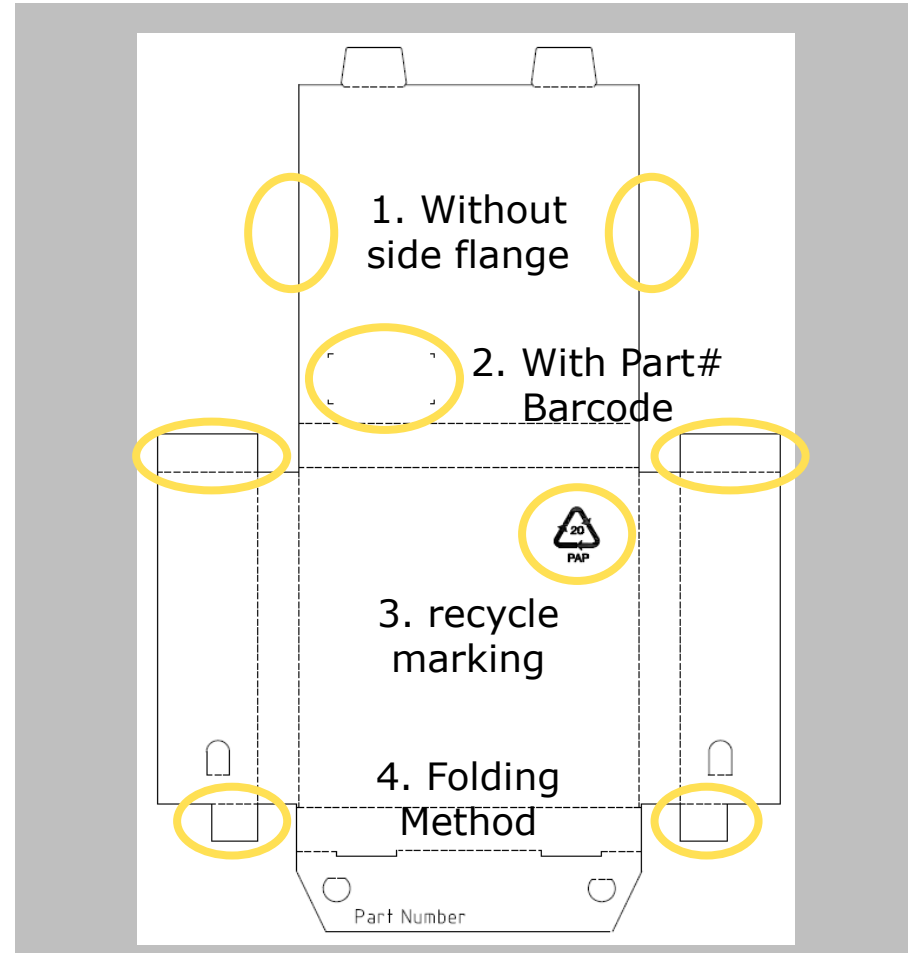


Comparison of Packing Box Design

Current

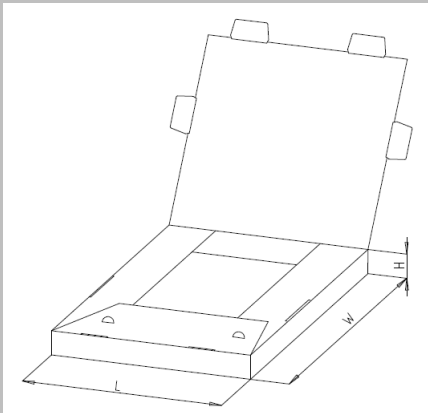


New



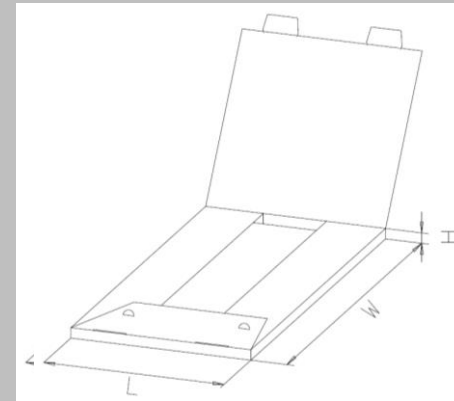
Comparison of Packing Box Dimensions

Current



Inner Height (H) [mm]	Inner Length (L) [mm]	Inner Width (W) [mm]
25	340	340

New



Inner Height (H) [mm]	Inner Length (L) [mm]	Inner Width (W) [mm]
24	340	340



Part of your life. Part of tomorrow.

INF N° 107/20

Harmonisation of 330mm reel boxes for Integrated Pressure Sensor products



Sales name	SP number	OPN	Package
KP108-AD	SP000714416	KP108ADXTMA1	PG-DSOF-8
KP108-AD	SP000928686	KP108ADXTMA2	PG-DSOF-8
KP108-AD	SP000928698	KP108ADXTMA3	PG-DSOF-8
KP108-PS	SP000714420	KP108PSXTMA1	PG-DSOF-8
KP109-P3	SP000688674	KP109P3XTMA1	PG-DSOF-8
KP109-P4	SP000848102	KP109P4XTMA1	PG-DSOF-8
KP109-PG	SP000688678	KP109PGXTMA1	PG-DSOF-8
KP200	SP000628804	KP200XTMA1	PG-DSOF-8
KP200	SP000849342	KP200XTMA2	PG-DSOF-8
KP200	SP000926408	KP200XTMA3	PG-DSOF-8
KP201	SP001018002	KP201XTMA1	PG-DSOF-8
KP203	SP003269514	KP203XTMA1	PG-DSOF-8
KP204	SP001622672	KP204XTMA1	PG-DSOF-8
KP212F1701	SP005435487	KP212F1701XTMA1	PG-DSOF-8
KP212K1409	SP005435491	KP212K1409XTMA1	PG-DSOF-8
KP214E2611	SP001052926	KP214E2611XTMA1	PG-DSOF-8
KP214E3022	SP001482638	KP214E3022XTMA1	PG-DSOF-8
KP214F2611	SP000971088	KP214F2611XTMA1	PG-DSOF-8
KP214N2611	SP000763326	KP214N2611XTMA1	PG-DSOF-8
KP215F1701	SP000698278	KP215F1701XTMA1	PG-DSOF-8
KP216H1416	SP000698282	KP216H1416XTMA1	PG-DSOF-8
KP216K1409	SP000698288	KP216K1409XTMA1	PG-DSOF-8
KP219F1804	SP001702562	KP219F1804XTMA1	PG-DSOF-8
KP219M1203	SP001092802	KP219M1203XTMA1	PG-DSOF-8
KP219N1904	SP001092808	KP219N1904XTMA1	PG-DSOF-8
KP219N3022	SP000997444	KP219N3022XTMA1	PG-DSOF-8
KP219N3621	SP000824058	KP219N3621XTMA1	PG-DSOF-8
KP224N3111	SP001040362	KP224N3111XTMA1	PG-DSOF-8
KP226E0109	SP002428750	KP226E0109XTMA1	PG-DSOF-8
KP226K2809	SP000724842	KP226K2809XTMA1	PG-DSOF-8
KP226N3022	SP000946462	KP226N3022XTMA1	PG-DSOF-8
KP226N3622	SP000941570	KP226N3622XTMA1	PG-DSOF-8
KP229E2701	SP000699514	KP229E2701XTMA1	PG-DSOF-8
KP229E3111	SP001031312	KP229E3111XTMA1	PG-DSOF-8
KP229E3201	SP001163002	KP229E3201XTMA1	PG-DSOF-8
KP229E3518	SP000808692	KP229E3518XTMA1	PG-DSOF-8

KP229F0711	SP002428754	KP229F0711XTMA1	PG-DSOF-8
KP229F3519	SP002428758	KP229F3519XTMA1	PG-DSOF-8
KP229-IG E3518	SP001016422	KP229IGE3518XTMA1	PG-DSOF-8
KP229K0115	SP001372044	KP229K0115XTMA1	PG-DSOF-8
KP229L2920	SP000788810	KP229L2920XTMA1	PG-DSOF-8
KP234	SP000700772	KP234XTMA1	PG-DSOF-8
KP234F4115	SP005197162	KP234F4115XTMA1	PG-DSOF-8
KP235	SP000700776	KP235XTMA1	PG-DSOF-8
KP235C4115	SP000998886	KP235C4115XTMA1	PG-DSOF-8
KP236	SP000700780	KP236XTMA1	PG-DSOF-8
KP236N6165	SP000700784	KP236N6165XTMA1	PG-DSOF-8
KP253	SP001399102	KP253XTMA2	PG-DSOF-8
KP253HP	SP001399106	KP253HPXTMA2	PG-DSOF-8
KP254	SP001399094	KP254XTMA2	PG-DSOF-8
KP255	SP001337092	KP255XTMA1	PG-DSOF-8
KP256	SP001399098	KP256XTMA2	PG-DSOF-8
KP264	SP004854700	KP264XTMA1	PG-DSOF-8
KP275	SP001353508	KP275XTMA1	PG-DSOF-8
KP275E1505	SP003456778	KP275E1505XTMA1	PG-DSOF-8
KP275E2616	SP003456782	KP275E2616XTMA1	PG-DSOF-8
KP276A1201	SP002627796	KP276A1201XTMA1	PG-DSOF-8
KP276C1201	SP002516814	KP276C1201XTMA1	PG-DSOF-8
KP276C1505	SP002167802	KP276C1505XTMA1	PG-DSOF-8
KP276D1201	SP005420999	KP276D1201XTMA1	PG-DSOF-8
KP276D1505	SP005421001	KP276D1505XTMA1	PG-DSOF-8
KP300	SP001236060	KP300XTMA1	PG-DSOF-8
KP305	SP001236092	KP305XTMA1	PG-DSOF-8