

Single-Phase, D-CAP™ and D-CAP2™ Controller with 2-Bit Flexible VID Control

Check for Samples: [TPS51518](#)

FEATURES

- Differential Voltage Feedback
- DC Compensation for Accurate Regulation
- Wide Input Voltage Range: 3 V to 28 V
- Flexible, 2-Bit VID Supports Output Voltage from 0.5 V to 2.0 V
- Adaptive On-Time Modulation with Selectable Control Architecture
 - D-CAP™ Mode at 350 kHz for Fast Transient Response
 - D-CAP2™ Mode at 350 kHz for Ultra-Low/Low ESR Output Capacitor
- 4700 ppm/°C, Low-Side $R_{DS(on)}$ Current Sensing
- Programmable Soft-Start Time and Output Voltage Transition Time
- Built-In Output Discharge
- Power Good Output
- Integrated Boost Switch
- Built-In OVP/UVP/OCV
- Thermal Shutdown (Non-latched)
- 3 mm × 3 mm, 20-Pin, QFN (RUK) Package

APPLICATIONS

- Notebook Computers
- GFX Supplies
- System Agent for Intel Chief River Platform

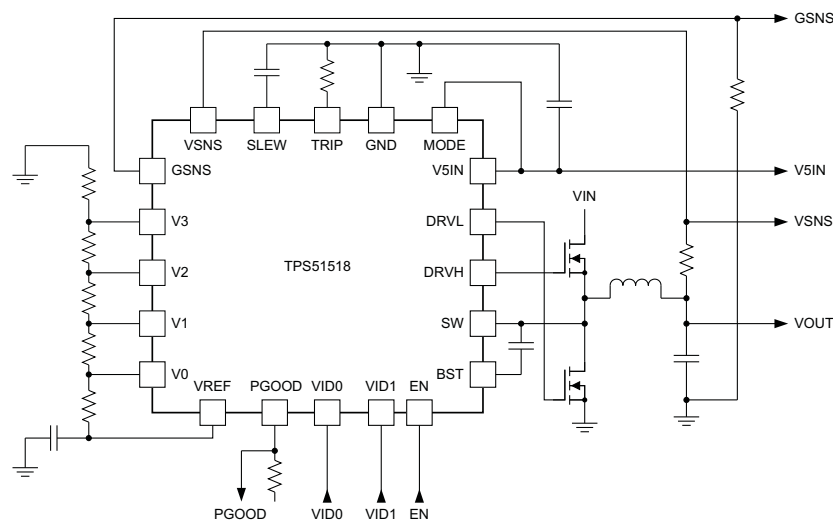
DESCRIPTION

The TPS51518 is a single phase, D-CAP™/D-CAP2™ synchronous buck controller with 2-bit VID inputs which can select up to four independent externally programmable output voltage levels where full external programmability in the voltage level, step setting and voltage transition slew rate is desired. It is used for GFX applications where multiple voltage levels are desired.

The TPS51518 supports all POS/SPCAP and/or all ceramic MLCC output capacitor options in applications where remote sense is a requirement. Tight DC load regulation is achieved through external programmable integrator capacitor.

The TPS51518 provides full protection suite, including OVP, OCL, 5-V UVLO and thermal shutdown. It supports the conversion voltage up to 28 V, and output voltages adjustable from 0.5 V to 2 V.

The TPS51518 is available in the 3 mm × 3 mm, QFN, 0.4-mm pitch package and is specified from –10°C to 105°C.



UDG-11217



Please be aware that an important notice concerning availability, standard warranty, and use in critical applications of Texas Instruments semiconductor products and disclaimers thereto appears at the end of this data sheet.

D-CAP, D-CAP2 are trademarks of Texas Instruments.

TPS51518

SLUSA08 –DECEMBER 2011

www.ti.com



This integrated circuit can be damaged by ESD. Texas Instruments recommends that all integrated circuits be handled with appropriate precautions. Failure to observe proper handling and installation procedures can cause damage.

ESD damage can range from subtle performance degradation to complete device failure. Precision integrated circuits may be more susceptible to damage because very small parametric changes could cause the device not to meet its published specifications.

ORDERING INFORMATION⁽¹⁾⁽²⁾

T _A	PACKAGE	ORDERABLE DEVICE NUMBER	PINS	OUTPUT SUPPLY	MINIMUM QUANTITY
-10°C to 105°C	PLASTIC QUAD FLAT PACK (QFN)	TPS51518RUKR	20	Tape and reel	3000
		TPS51518RUKT	20	Mini reel	250

- (1) For the most current package and ordering information, see the *Package Option Addendum* at the end of this document, or visit the TI website at www.ti.com.
- (2) Package drawings, standard packing quantities, thermal data, symbolization, and PCB design guidelines are available at www.ti.com/sc/package

ABSOLUTE MAXIMUM RATINGS⁽¹⁾

		MIN	MAX	UNIT	
Input voltage range ⁽²⁾	BST	-0.3	36.0	V	
	BST ⁽³⁾	-0.3	6.0		
	SW	-5	30		
	EN, TRIP, MODE, VID1, VID0	-0.3	5.5		
	5VIN	-0.3	5.3		
	SLEW, VSNS	-0.3	3.6		
	GSNS	-0.35	0.35		
	GND	-0.3	0.3		
Output voltage range ⁽²⁾	DRVH	-5	36	V	
	DRVH ⁽³⁾	-0.3	6.0		
	DRVL		-0.3		6.0
		transient < 20 ns	-2.0		6.0
	PGOOD	-0.3	6.0		
VREF, V0, V1, V2, V3	-0.3	3.6			
Junction temperature, T _J		-40	125	°C	
Storage temperature, T _{STG}		-55	150	°C	

- (1) Stresses beyond those listed under "absolute maximum ratings" may cause permanent damage to the device. These are stress ratings only and functional operation of the device at these or any other conditions beyond those indicated under "recommended operating conditions" is not implied. Exposure to absolute-maximum-rated conditions for extended periods may affect device reliability.
- (2) All voltage values are with respect to the network ground terminal unless otherwise noted.
- (3) Voltage values are with respect to the SW terminal.

RECOMMENDED OPERATING CONDITIONS⁽¹⁾⁽²⁾

		VALUE		
		MIN	MAX	UNIT
Supply voltage	V5IN	4.50	5.25	V
Input voltage range	BST	-0.1	33.5	V
	BST ⁽¹⁾	-0.1	5.5	
	SW	-3	28	
	SW ⁽²⁾	-4.5	28.0	
	EN, TRIP, MODE, VID1, VID0	-0.1	5.5	
	SLEW, VSNS	-0.1	3.5	
	GSNS	-0.3	0.3	
Output voltage range	GND	-0.1	0.1	V
	DRVH	-3.0	33.5	
	DRVH ⁽²⁾	-4.5	33.5	
	DRVH ⁽¹⁾	-0.1	5.5	
	DRVL	-0.1	5.5	
	transient < 20 ns	-1.5	5.5	
PGOOD	-0.1	5.5	°C	
VREF, V0, V1, V2, V3	-0.1	3.5		
Operating free-air temperature, T _A		-10	105	

(1) Voltage values are with respect to the SW terminal.

(2) This voltage should be applied for less than 30% of the repetitive period.

THERMAL INFORMATION

THERMAL METRIC ⁽¹⁾		TPS51518	UNITS
		RUK (20) PINS	
θ_{JA}	Junction-to-ambient thermal resistance	94.1	°C/W
$\theta_{Jc\text{top}}$	Junction-to-case (top) thermal resistance	58.1	
θ_{JB}	Junction-to-board thermal resistance	64.3	
Ψ_{JT}	Junction-to-top characterization parameter	31.8	
Ψ_{JB}	Junction-to-board characterization parameter	58.0	
$\theta_{Jc\text{bot}}$	Junction-to-case (bottom) thermal resistance	5.9	

(1) For more information about traditional and new thermal metrics, see the *IC Package Thermal Metrics* application report, [SPRA953](#).

ELECTRICAL CHARACTERISTICS

 over operating free-air temperature range, $V_{V5IN} = 5\text{ V}$, $V_{MODE} = 5\text{ V}$, $V_{EN} = 3.3\text{ V}$ (unless otherwise noted)

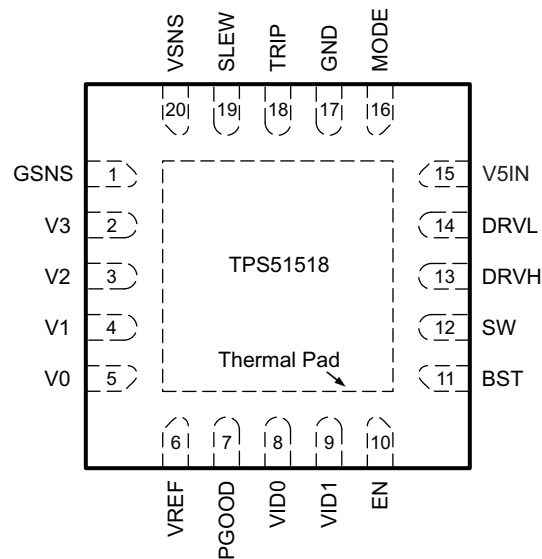
PARAMETER		TEST CONDITION	MIN	TYP	MAX	UNIT
SUPPLY CURRENT						
I_{V5IN}	V5IN supply current	$T_A = 25^\circ\text{C}$, No load, $V_{EN} = 5\text{ V}$, $V_{MODE} = 5\text{ V}$		560		μA
I_{V5SDN}	V5IN shutdown current	$T_A = 25^\circ\text{C}$, No load, $V_{EN} = 0\text{ V}$		1		μA
VREF OUTPUT						
V_{VREF}	Output voltage	$I_{VREF} = 30\text{ }\mu\text{A}$, w/r/t GSNS		2.000		V
$V_{VREFTOL}$	Output voltage tolerance	$0\text{ }\mu\text{A} \leq I_{VREF} < 30\text{ }\mu\text{A}$, $0^\circ\text{C} \leq T_A < 85^\circ\text{C}$	-0.8%		0.8%	
		$0\text{ }\mu\text{A} \leq I_{VREF} < 300\text{ }\mu\text{A}$, $-10^\circ\text{C} \leq T_A < 105^\circ\text{C}$	-1%		1%	
$I_{VREFOCL}$	Current limit	$V_{VREF-GSNS} = 1.7\text{ V}$	0.4	1.0		mA
OUTPUT VOLTAGE						
$V_{SLEWCLP}$	SLEW clamp voltage	$V_{REFIN} = 1\text{ V}$	0.92		1.08	V
g_M	Error amplifier transconductance	$V_{REFIN} = 1\text{ V}$		60		μS
I_{VSNS}	VSNS input current	$V_{VSNS} = 1.0\text{ V}$	-1		1	μA
$I_{VSNSDIS}$	VSNS discharge current	$V_{EN} = 0\text{ V}$, $V_{VSNS} = 0.5\text{ V}$, $V_{MODE} = 0\text{ V}$		12		mA
SMPS FREQUENCY						
f_{SW}	Switching frequency	$V_{IN} = 12\text{ V}$, $V_{VSNS} = 1.0\text{ V}$, $V_{MODE} = 0\text{ V}$		350		kHz
$t_{ON(\text{min})}$	Minimum on-time	DRVH rising to falling		40		ns
$t_{OFF(\text{min})}$	Minimum off-time	DRVH falling to rising		320		
DRIVERS						
R_{DH}	High-side driver resistance	Source, $I_{DRVH} = 50\text{ mA}$		1.7		Ω
		Sink, $I_{DRVH} = 50\text{ mA}$		0.8		
R_{DL}	Low-side driver resistance	Source, $I_{DRVL} = 50\text{ mA}$		1.1		Ω
		Sink, $I_{DRVL} = 50\text{ mA}$		0.6		
INTERNAL BOOT STRAP SW						
V_{FBST}	Forward voltage	$V_{V5IN-BST}$, $T_A = 25^\circ\text{C}$, $I_F = 10\text{ mA}$		0.1	0.2	V
I_{BST}	BST leakage current	$T_A = 25^\circ\text{C}$, $V_{BST} = 33\text{ V}$, $V_{SW} = 28\text{ V}$		0.01	1.50	μA
LOGIC THRESHOLD AND TIMING						
$V_{VIDx(\text{LL})}$	VID1/VID0 low-level voltage				0.3	V
$V_{VIDx(\text{LH})}$	VID1/VID0 high-level voltage		0.9			V
$V_{VIDx(\text{HYST})}$	VID1/VID0 hysteresis voltage			0.4		V
$I_{VIDx(\text{LLK})}$	VID1/VID0 input leakage current		-1	0	1	μA
$V_{EN(\text{LL})}$	EN low-level voltage				0.5	V
$V_{EN(\text{LH})}$	EN high-level voltage		1.5			V
$V_{EN(\text{HYST})}$	EN hysteresis voltage			0.25		V
$I_{EN(\text{LLK})}$	EN input leakage current		-1		1	nA
SOFT START/SLEW RATE						
I_{SS}	Soft-start current	Soft-start current source		10		μA
I_{SLEW}	Slew control current			50		μA

ELECTRICAL CHARACTERISTICS (continued)

over operating free-air temperature range, $V_{V5IN} = 5\text{ V}$, $V_{MODE} = 5\text{ V}$, $V_{EN} = 3.3\text{ V}$ (unless otherwise noted)

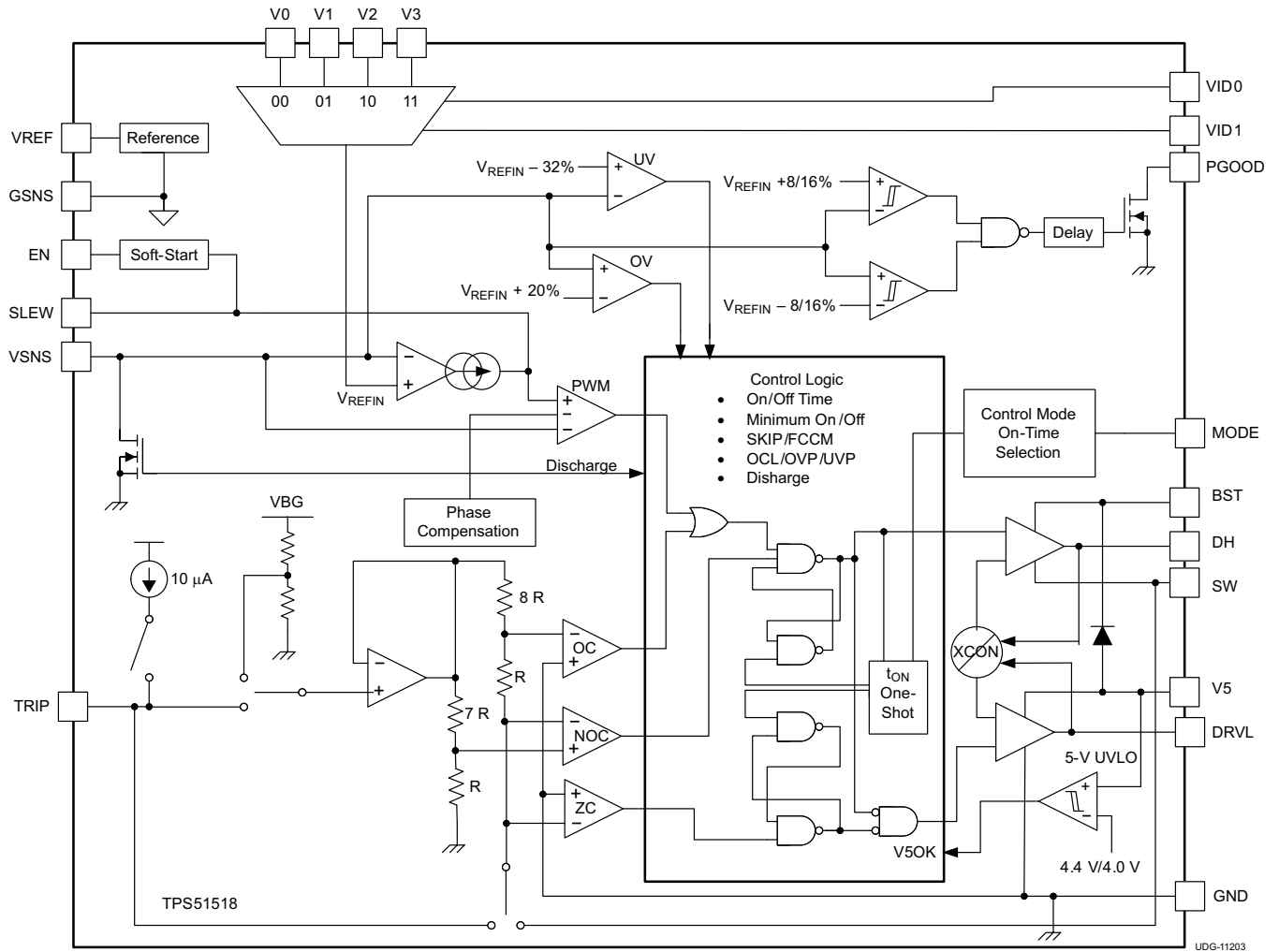
PARAMETER		TEST CONDITION	MIN	TYP	MAX	UNIT
PGOOD COMPARATOR						
V_{PGTH}	PGOOD threshold	PGOOD in from higher	108%			
		PGOOD in from lower	92%			
		PGOOD out to higher	116%			
		PGOOD out to lower	84%			
I_{PG}	PGOOD sink current	$V_{PGOOD} = 0.5\text{ V}$	6.0			mA
t_{PGDLY}	PGOOD delay time	Delay for PGOOD in	1			ms
		Delay for PGOOD out	0.2			μs
$t_{PGCMPSS}$	PGOOD start-up delay time	PGOOD comparator wake up delay	1.5			ms
I_{PGLK}	PGOOD leakage current		-1	0	1	μA
CURRENT DETECTION						
I_{TRIP}	TRIP source current	$T_A = 25^\circ\text{C}$, $V_{TRIP} = 0.4\text{ V}$	9	10	11	μA
TC_{ITRIP}	TRIP source current temperature coefficient ⁽¹⁾		4700			ppm/ $^\circ\text{C}$
V_{TRIP}	VTRIP voltage range		0.2	3		V
V_{OCL}	Current limit threshold	$V_{TRIP} = 3.0\text{ V}$	360	375	390	mV
		$V_{TRIP} = 1.6\text{ V}$	190	200	210	
		$V_{TRIP} = 0.2\text{ V}$	20	25	30	
V_{OCLN}	Negative current limit threshold	$V_{TRIP} = 3.0\text{ V}$	-390	-375	-360	mV
		$V_{TRIP} = 1.6\text{ V}$	-212	-200	-188	
		$V_{TRIP} = 0.2\text{ V}$	-30	-25	-20	
V_{ZC}	Zero cross detection offset		0			mV
PROTECTIONS						
V_{UVLO}	V5IN UVLO threshold voltage	Wake-up	4.3	4.4	4.6	V
		Shutdown	3.8	4.0	4.2	
V_{OVP}	OVP threshold voltage	OVP detect voltage	118%	120%	122%	
t_{OVDPDY}	OVP propagation delay	With 100-mV overdrive	300			ns
V_{UVP}	UVP threshold voltage	UVP detect voltage	66%	68%	70%	
t_{UVPDLY}	UVP delay		1			ms
$t_{UVPENDLY}$	UVP enable delay		1.4			ms
THERMAL SHUTDOWN						
T_{SDN}	Thermal shutdown threshold ⁽¹⁾	Shutdown temperature	140			$^\circ\text{C}$
		Hysteresis	10			

(1) Ensured by design. Not production tested.

DEVICE INFORMATION

PIN DESCRIPTIONS

PIN		I/O	DESCRIPTION
No.	NAME		
11	BST	I	Supply input for high-side MOSFET driver (bootstrap terminal). Connect a capacitor from this pin to the SW pin. Internally connected to V5IN via the bootstrap MOSFET switch.
13	DRVH	O	High-side MOSFET gate driver output.
14	DRVL	O	Synchronous low-side MOSFET gate driver output.
10	EN	I	Enable input for the device. Support 3.3-V logic
17	GND	I	Combined AGND and PGND point. The positive on-resistance current sensing input.
1	GSNS	I	Voltage sense return tied directly to GND sense point of the load. Tie to GND with a 10-Ω resistor to close feedback if die sensing is used. Short to GND if remote sense is not used.
16	MODE	I	See Table 2 .
7	PGOOD	O	PGOOD output. Connect pull-up resistor.
19	SLEW	I	Program the startup using 10 μA and voltage transition time using 50 μA from an external capacitor via current source.
12	SW	I/O	High-side MOSFET gate driver return. The $R_{DS(on)}$ current sensing input (-).
18	TRIP	I	Connect resistor to GND to set OCL at $V_{TRIP}/8$. Output 10 μA current at room temperature, $T_C = 4700\text{ppm}/^\circ\text{C}$.
5	V0	I	Voltage set-point programming resistor input, corresponding to 00
4	V1	I	Voltage set-point programming resistor input, corresponding to 01
3	V2	I	Voltage set-point programming resistor input, corresponding to 10
2	V3	I	Voltage set-point programming resistor input, corresponding to 11
15	V5IN	I	5-V power supply input for internal circuits and MOSFET gate drivers
8	VID0	I	Logic input for set-point voltage selector. Use in conjunction with VID1 pin to select among four set-point reference voltages. Support 1-V and 3.3-V logic.
9	VID1	I	Logic input for set-point voltage selector. Use in conjunction with VID0 pin to select among four set-point reference voltages. Support 1-V and 3.3-V logic.
6	VREF	O	2 V, 300-μA voltage reference. Bypass to GND with a 1-μF ceramic capacitor.
20	VSNS	I	Voltage sense return tied directly to the load voltage sense point. Tie to V_{OUT} with a 10-Ω resistor to close feedback if die sensing is used.
Thermal Pad			Connect directly to system GND plane with multiple vias.

FUNCTIONAL BLOCK DIAGRAM



UDG-11203

TYPICAL CHARACTERISTICS

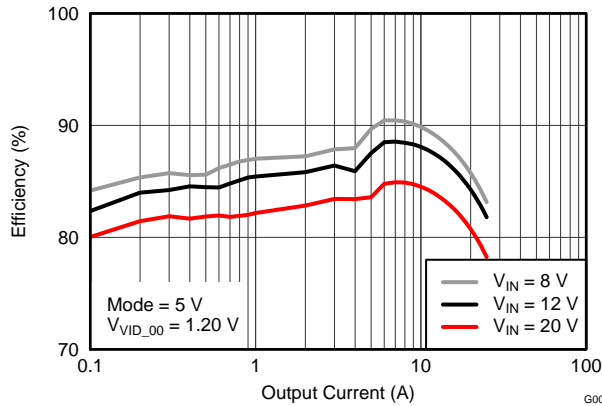


Figure 1. GFX Efficiency

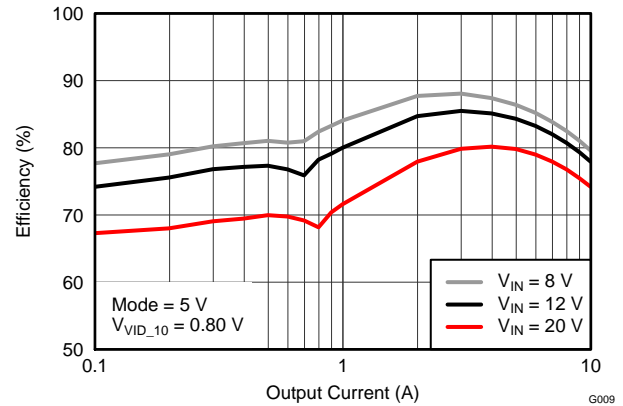


Figure 2. SA Efficiency

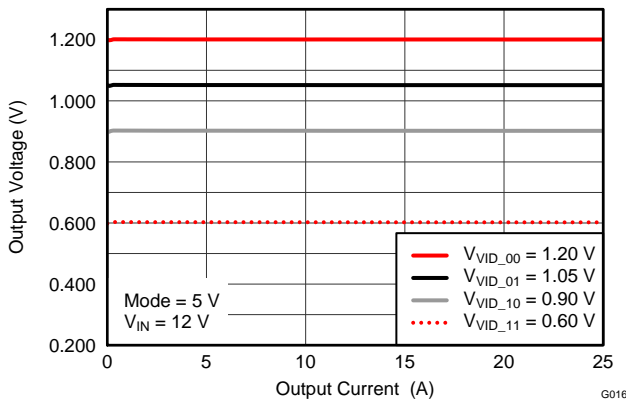


Figure 3. GFX Load Regulation

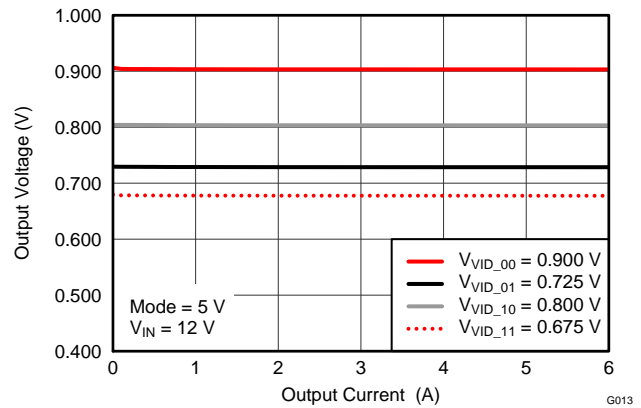


Figure 4. SA Load Regulation

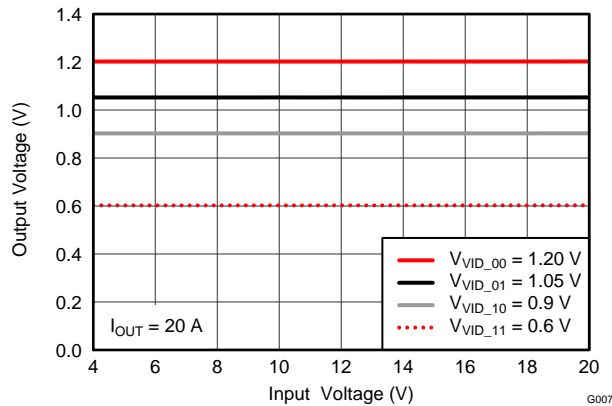


Figure 5. GFX Line Regulation

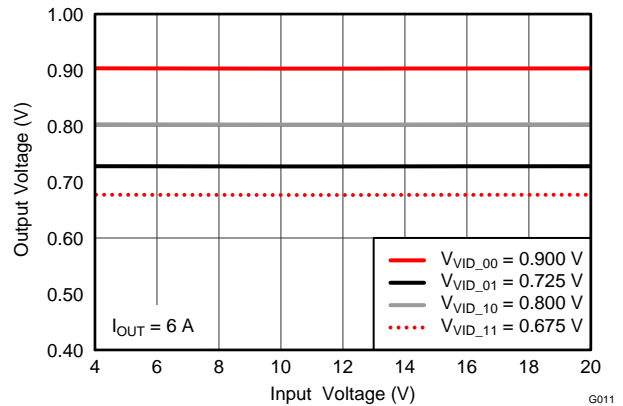


Figure 6. SA Line Regulation

TYPICAL CHARACTERISTICS (continued)

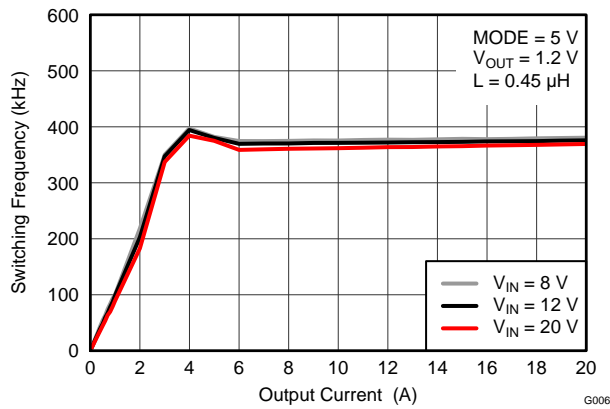


Figure 7. GFX Frequency vs. Load Current

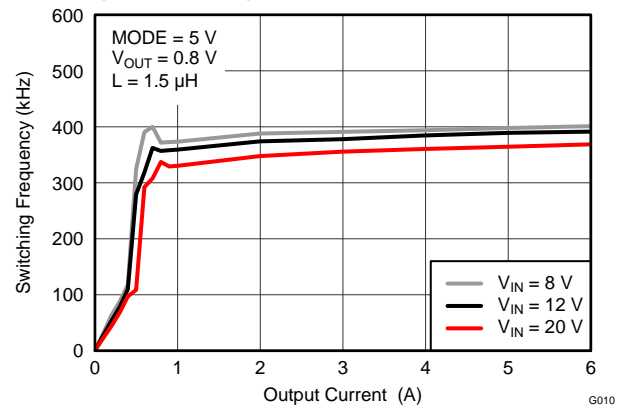


Figure 8. SA Frequency vs. Load Current

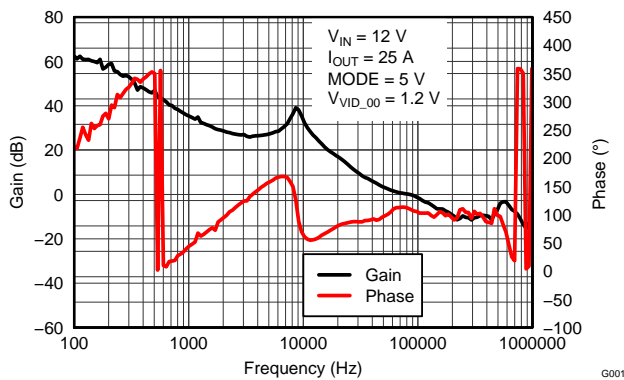


Figure 9. GFX Bode Plot

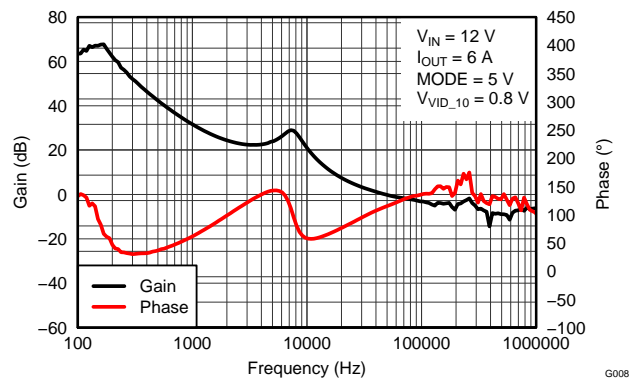


Figure 10. SA Bode Plot

TYPICAL CHARACTERISTICS

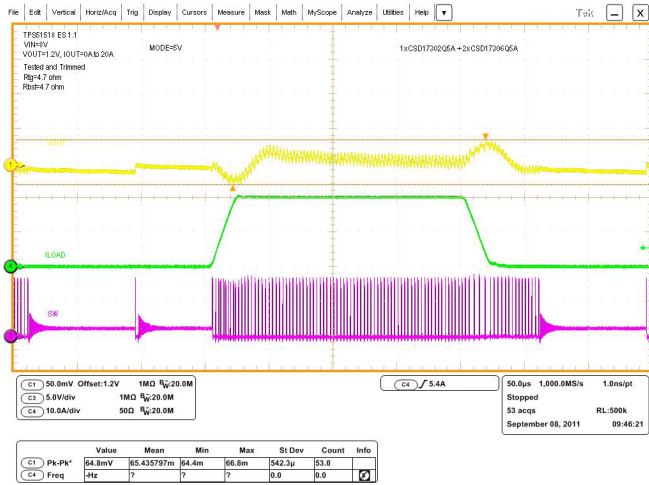


Figure 11. Load Transient



Figure 12. Load Transient

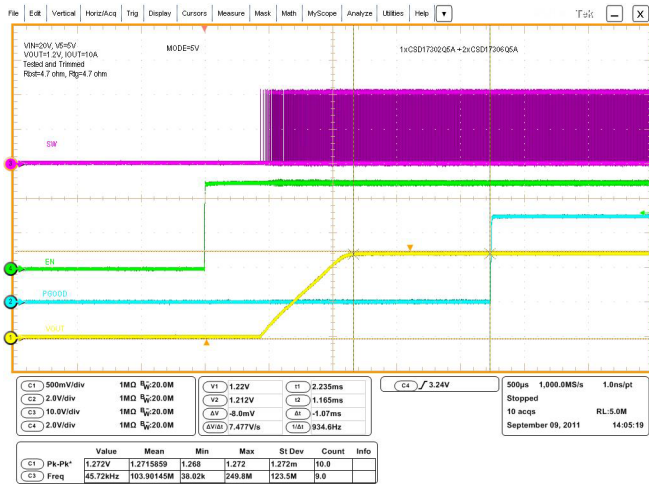


Figure 13. Startup

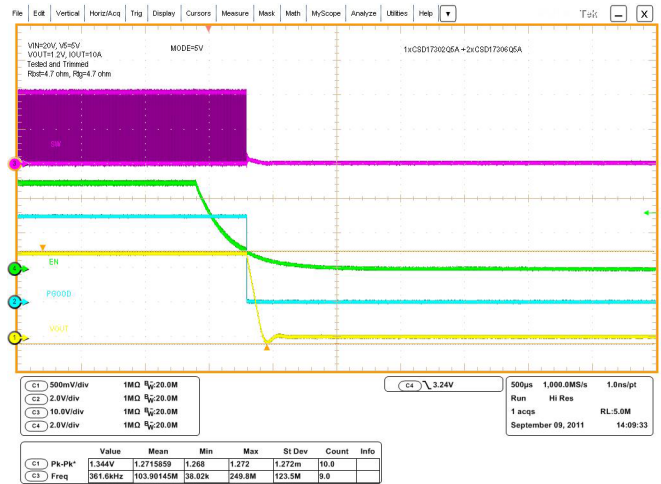


Figure 14. Shutdown



Figure 15. Steady-State Ripple, I_{LOAD} = 0.1 A

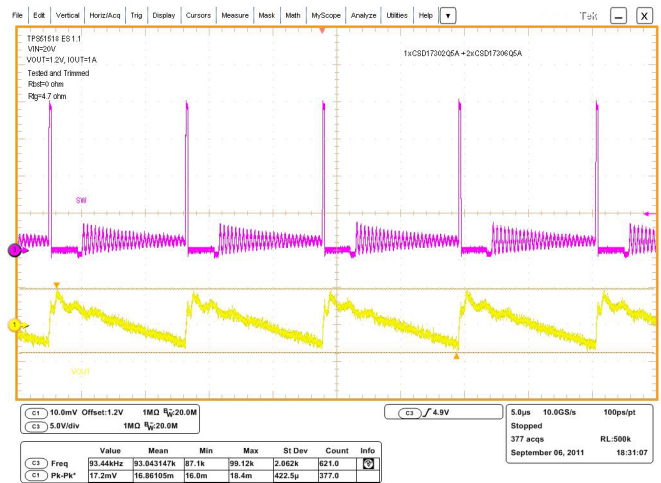


Figure 16. Steady-State Ripple, I_{LOAD} = 1 A

TYPICAL CHARACTERISTICS (continued)

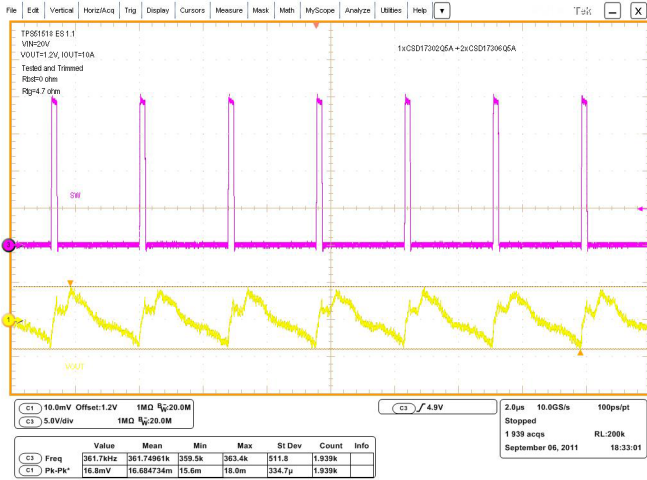


Figure 17. Steady-State Ripple, I_{LOAD} = 10 A

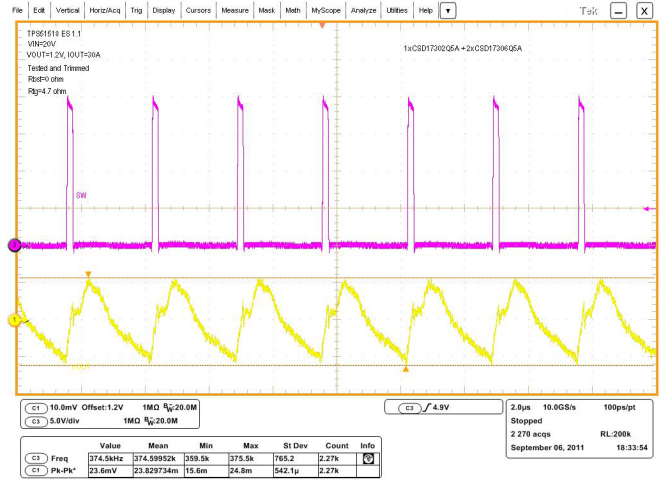


Figure 18. Steady-State Ripple, I_{LOAD} = 30 A

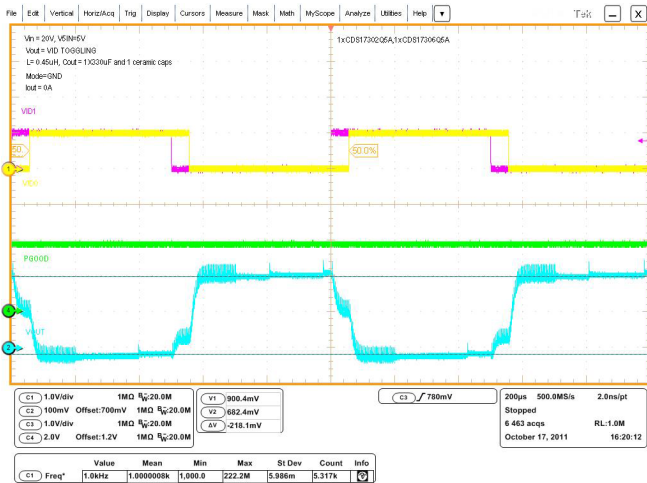


Figure 19. VID transition, I_{LOAD} = 0 A

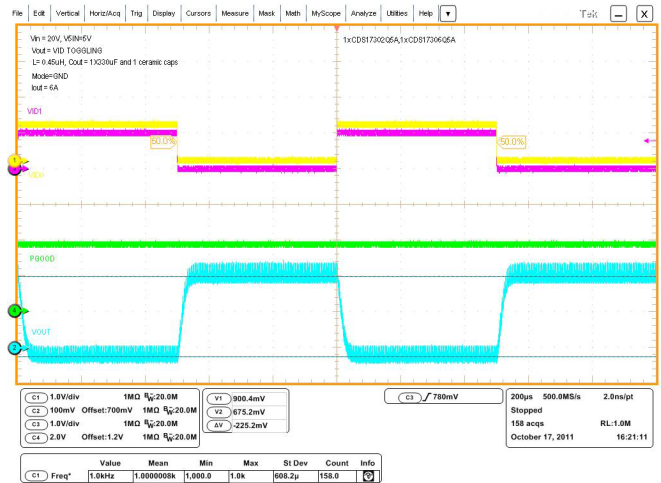


Figure 20. VID transition, I_{LOAD} = 6 A

Switch Mode Power Supply Control

The TPS51518 is a high performance, single-synchronous step-down controller with differential voltage feedback. It realizes accurate regulation at the specific load point over wide load range.

The TPS51518 supports two control architectures, D-CAP™ mode and D-CAP2™ mode. Both control modes do not require complex external compensation networks and are suitable for designs with small external components counts. The D-CAP™ mode provides fast transient response with appropriate amount of equivalent series resistance (ESR) on the output capacitors. The D-CAP2™ mode is dedicated for a configuration with very low ESR output capacitors such as multi-layer ceramic capacitors (MLCC). For the both modes, an adaptive on-time control scheme is used to achieve pseudo-constant frequency. The TPS51518 adjusts the on-time (t_{ON}) to be inversely proportional to the input voltage (V_{IN}) and proportional to the SMPS output voltage (V_{OUT}). The switching frequency remains nearly constant over the variation of input voltage at the steady-state condition. Control modes are selected by the MODE pin described in [Table 2](#).

VREF, V0, V1, V2, V3 and Output Voltage

The device provides a 2.0-V, accurate voltage reference from the VREF pin. This output has a 300- μ A current sourcing capability to drive V0, V1, V2 and V3 input voltages through a voltage divider circuit as shown in [Figure 21](#). If higher overall system accuracy is required, the sum of total resistance ($R1+R2+R3+R4+R5$) from VREF to GND should be designed to be more than 67 k Ω . A MLCC capacitor with a value of 0.1- μ F or larger should be attached close to the VREF pin.

The device also provides 2-bit VID flexible output voltage control. Up to four voltage levels can be programmed externally by a voltage divider circuit. V0 corresponds to VID 00, V1 corresponds to VID 01, V2 corresponds to VID 10 and V3 corresponds to VID 11. It is not necessary to match the voltage set point (V_{SET1} , V_{SET2} , V_{SET3} or V_{SET4}) to any particular V0, V1, V2 or V3 input. Assignment of the input voltage is entirely dependent on the user requirement, which makes the device very easy and flexible to use.

The device can also be configured to provide 1-bit VID flexible output voltage operation. Up to two voltage levels can be programmed externally by a voltage divider circuit. Normally, if 1-bit VID operation is desired, the VID0 pin is generally used (the VID1 pin should be grounded if not used).

In the applications where fewer than four input voltage levels are needed, the remaining input voltage pins cannot be left floating. Connection from the unused pins to GND is required for proper operation.

Table 1. VID Settings

	VID1	VID0	
V0	0	0	V_{SET1} , V_{SET2} , V_{SET3} , V_{SET4}
V1	0	1	V_{SET1} , V_{SET2} , V_{SET3} , V_{SET4}
V2	1	0	V_{SET1} , V_{SET2} , V_{SET3} , V_{SET4}
V3	1	1	V_{SET1} , V_{SET2} , V_{SET3} , V_{SET4}

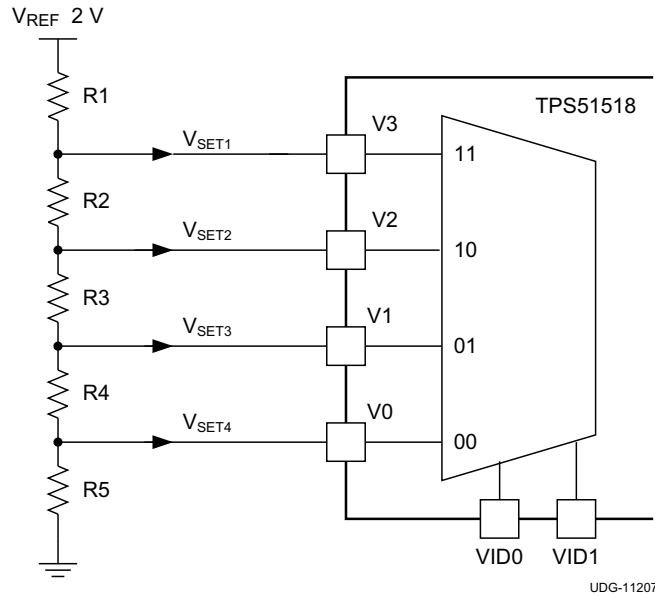


Figure 21. Setting the Output Voltage

Soft-Start and Power Good

Prior to asserting EN high, the power stage conversion voltage and V5IN voltage should be ready. When EN is asserted high, TPS51518 provides soft start to suppress in-rush current during start-up. The soft start action is achieved by an internal SLEW current of 10 μ A (typ) sourcing into a small external MLCC capacitor connected from SLEW pin to GND.

Use Equation 1 to determine the soft-start timing.

$$t_{SS} = C_{SLEW} \times \frac{V_{OUT}}{I_{SLEW}}$$

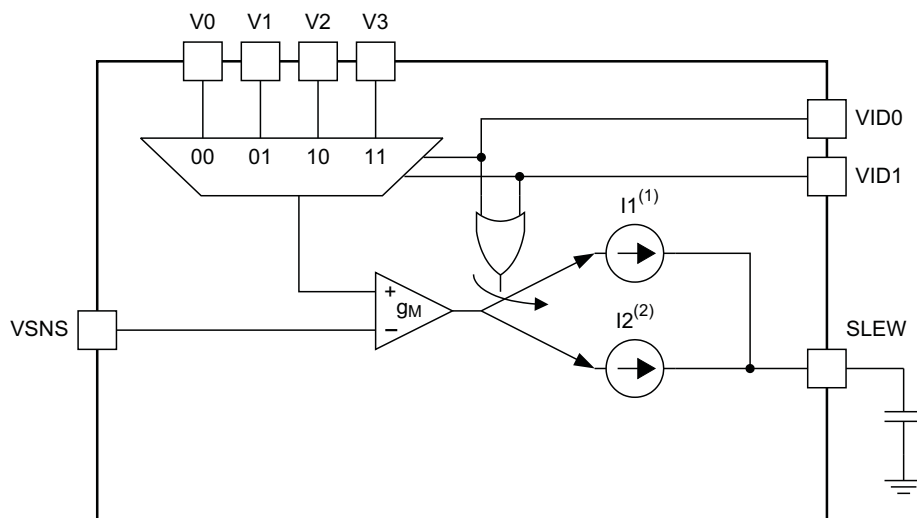
where

- C_{SLEW} is the soft start capacitance
 - V_{OUT} is the output voltage
 - I_{SLEW} is the internal 10- μ A current source
- (1)

The TPS51518 has a powergood open-drain output that indicates the Vout voltage is within the target range. The target voltage window and transition delay times of the PGOOD comparator are $\pm 8\%$ (typ) and 1-ms delay for assertion from low to high, and $\pm 16\%$ (typ) and 0.2- μ s delay for de-assertion from high to low during operation.

SLEW and VID Function

In addition to providing soft start function, SLEW is also used to program the VID transition time. TPS51518 supports 2-bit VID and 1-bit VID operations. VID0 and VID1 works with 1.05-V logic level signals with capability of supporting up to 3.3-V logic high.



UDG-11206

(1) I1: Enable during VID transition, 50 μ A.

(2) I2: Soft start, 10 μ A.

Figure 22. VID Configuration

During VID transition:

- SLEW current is increased to 50 μ A. Based on the VID transition time of the system, the amount of the SLEW capacitance can be calculated to meet such requirement. The minimum SLEW capacitance can be supported by the device is 2.7 nF.

$$C_{\text{SLEW}} = I_{\text{SLEW_VID}} \times \frac{dt}{dV}$$

where

- I_{SLEW} is 50 μ A, dV is the voltage change during VID transition
- dt is the required transition time (2)
- FCCM (forced continuous conduction mode) operation is used regardless of the load level. In the meantime, the overcurrent level is temporally increased to 125% times the normal OCL level to prevent false OC trip during fast SLEW up transition. Power good, UVP and OVP functions are all blanked as well. All normal functions are resumed 16 internal clock cycles (64 μ s) after VID transition is completed.
- Additional SLEW CLAMP is implemented. If severe output short occurs (either to GND or to some other high voltage rails in the system), SLEW is engaged into SLEW CLAMP, approximately 50 mV above or below the output voltage reference point. After 32 internal clockcycles, the CLAMP is engaged, UVP and OVP functions are activated to disable the controller at fault.

MODE Pin Configuration

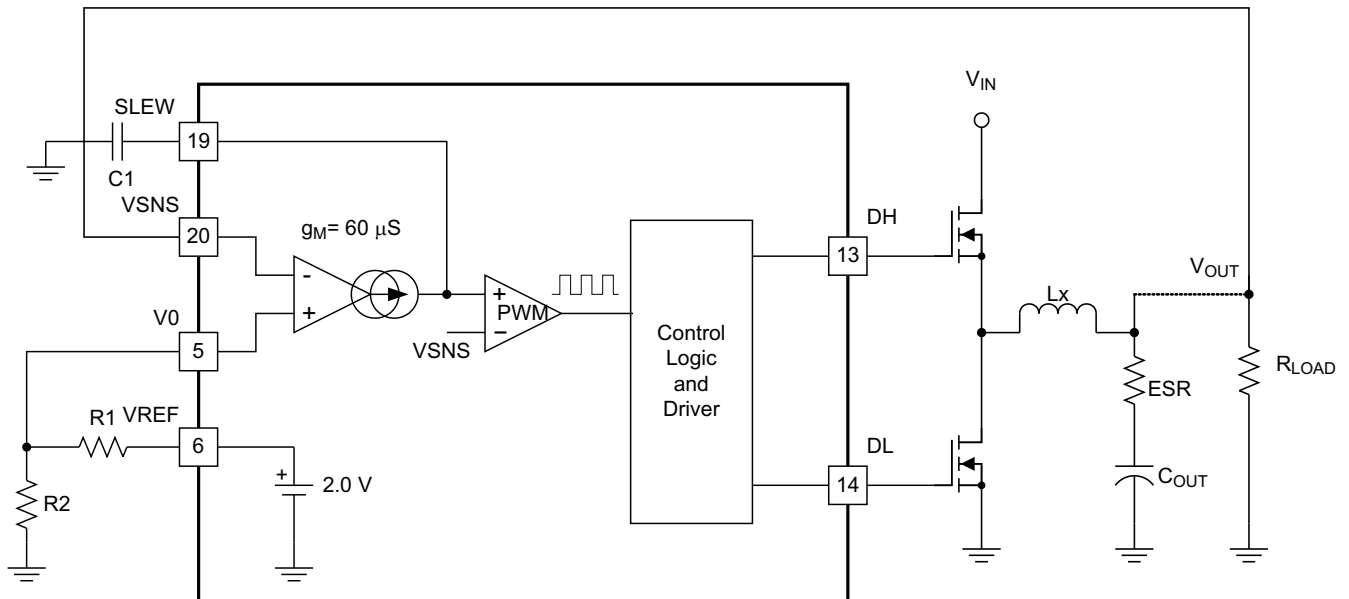
The TPS51518 reads the MODE pin voltage when the EN signal is raised high and stores the status in a register. Table 2 shows the MODE connection, corresponding control topology.

Table 2. Mode States

MODE PIN CONNECTION	CONTROL TOPOLOGY	CURRENT SENSE	f _{SW} (KHz)
GND	D-CAP	R _{DS(on)}	350
5-V Supply	D-CAP2		

D-CAP™ Mode

Figure 23 shows a simplified model of D-CAP™ mode architecture in the TPS51518.



UDG-11264

Figure 23. D-CAP™ Mode Application

The transconductance (gM) amplifier and SLEW capacitor (C1) forms an integrator. The ripple voltage generated by ESR of the output capacitor is inverted and averaged by the integrator. The small AC component is superimposed onto otherwise DC information and forms a reference input at the PWM comparator. As long as the integrator time constant is much larger than the inverse of the loop crossover frequency, the AC component is negligible. The VSNS voltage is directly compared to the SLEW voltage at the PWM comparator. The PWM comparator creates a set signal to turn on the high side MOSFET each cycle.

The PWM comparator creates a set signal to turn on the high-side MOSFET each cycle. The D-CAP™ mode offers flexibility on output inductance and capacitance selections with ease-of-use without complex feedback loop calculation and external components. However, it does require sufficient amount of ESR that represents inductor current information for stable operation and good jitter performance. Organic semiconductor capacitor(s) or specialty polymer capacitor(s) are recommended.

The requirement for loop stability is simple and is described in Equation 3. The 0-dB frequency, f₀, is recommended to be lower than 1/3 of the switching frequency to secure proper phase margin. The integrator time constant should be long enough compared to f₀, for example one decade low, as described in Equation 4.

$$f_0 = \frac{1}{2\pi \times \text{ESR} \times C_{\text{OUT}}} \leq \frac{f_{\text{SW}}}{3}$$

where

- ESR is the effective series resistance of the output capacitor

- C_{OUT} is the capacitance of the output capacitor
- f_{SW} is the switching frequency

$$\frac{g_M}{2\pi \times C1} \leq \frac{f_0}{10}$$

where

- g_M is transconductance of the error amplifier (typically 60 μ S)

Jitter is another attribute caused by signal-to-noise ratio of the feedback signal. One of the major factors that determine jitter performance in D-CAP™ mode is the down-slope angle of the VSNS ripple voltage. Figure 24 shows, in the same noise condition, that jitter is improved by making the slope angle larger.

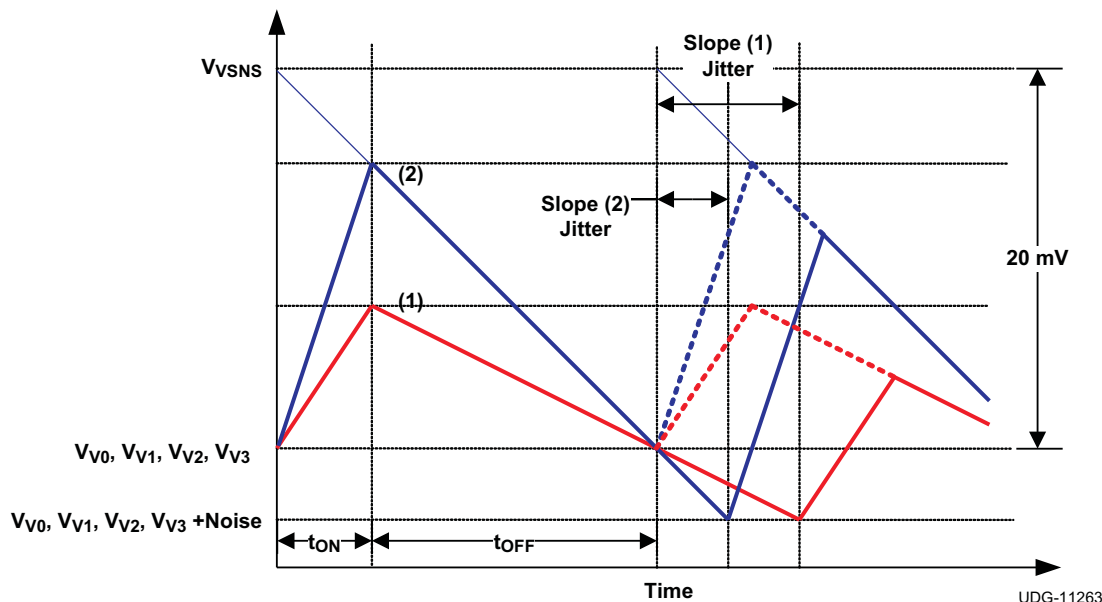


Figure 24. Ripple Voltage Slope and Jitter Performance

For a good jitter performance, use the recommended down slope of approximately 20 mV per switching period as shown in Figure 24 and Equation 5.

$$\frac{V_{OUT} \times ESR}{f_{SW} \times L_X} \geq 20\text{mV}$$

where

- V_{OUT} is the SMPS output voltage
- L_X is the inductance

D-CAP2™ Mode

Figure 25 shows a simplified model of D-CAP2™ mode architecture in the TPS51518.

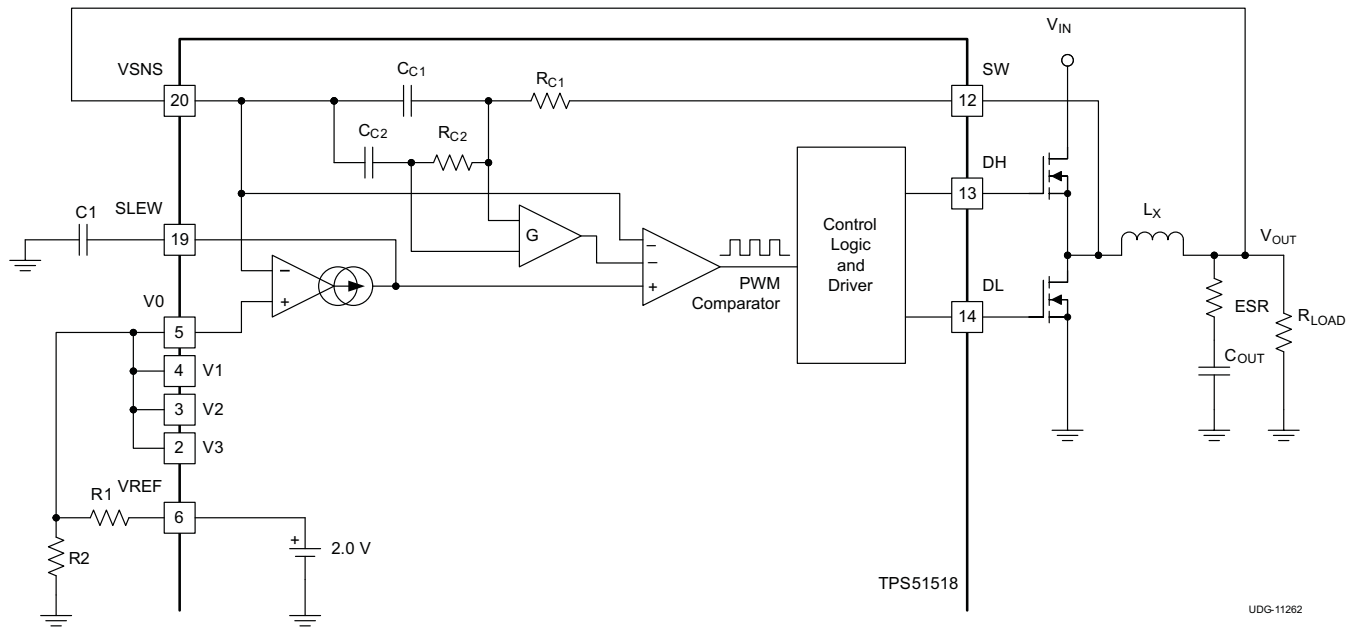


Figure 25. Simplified D-CAP2 Mode Architecture

When TPS51518 operates in D-CAP2 mode, it uses an internal phase compensation network (R_{C1} , R_{C2} , C_{C1} and C_{C2} and G) to work with very low ESR output capacitors such as multi-layer ceramic capacitors (MLCC). The role of such network is to sense and scale the ripple component of the inductor current information and then use it in conjunction with the voltage feedback to achieve loop stability of the converter.

The switching frequency used for D-CAP2 mode is 350 kHz and it is generally recommended to have a unity gain crossover (f_0) of 1/4 or 1/3 of the switching frequency, which is approximately 90 kHz to 120 kHz for the purpose of this application.

Given the range of the recommended unity gain frequency, the power stage design is flexible, as long as Equation 6 is true.

$$\frac{1}{2 \times \pi \times \sqrt{L_{OUT} \times C_{OUT}}} \leq \frac{1}{10} \times f_0 \tag{6}$$

When TPS51518 is configured in D-CAP2 mode, the overall loop response is dominated by the internal phase compensation network. The compensation network is designed to have two identical zeros at 5.2 kHz in the frequency domain, which serves the purpose of splitting the L-C double pole into one low frequency pole (same as the L-C double pole frequency) and one high-frequency pole (greater than the unity gain crossover frequency).

Light-Load Operation

In auto-skip mode, the TPS51518 SMPS control logic automatically reduces its switching frequency to improve light-load efficiency. To achieve this intelligence, a zero cross detection comparator is used to prevent negative inductor current by turning off the low-side MOSFET. Equation 7 shows the boundary load condition of this skip mode and continuous conduction operation.

$$I_{LOAD(LL)} = \frac{(V_{IN} - V_{OUT})}{2 \times L_X} \times \frac{V_{OUT}}{V_{IN}} \times \frac{1}{f_{SW}} \tag{7}$$

Out-of-Bound Operation

When the output voltage rises to 8% above the target value, the out-of-bound operation starts. During the out-of-bound condition, the controller operates in forced PWM-only mode. Turning on the low-side MOSFET beyond the zero inductor current quickly discharges the output capacitor. During this operation, the cycle-by-cycle negative overcurrent limit is also valid. Once the output voltage returns to within regulation range, the controller resumes to auto-skip mode.

Current Sensing

In order to provide both cost effective solution and good accuracy, TPS51518 supports MOSFET $R_{DS(on)}$ sensing. For $R_{DS(on)}$ sensing scheme, TRIP pin should be connected to GND through the trip voltage setting resistor, R_{TRIP} . In this scheme, TRIP terminal sources $10\mu A$ of I_{TRIP} current (at $T_A = 25^\circ C$) and the trip level is set to 1/8 of the voltage across the R_{TRIP} . The inductor current is monitored by the voltage between the GND pin and the SW pin so that the SW pin is connected to the drain terminal of the low-side MOSFET. I_{TRIP} has a 4700ppm/ $^\circ C$ temperature slope to compensate the temperature dependency of the $R_{DS(on)}$. GND is used as the positive current sensing node so that GND should be connected to the sense resistor or the source terminal of the low-side MOSFET.

Overcurrent Protection

TPS51518 has cycle-by-cycle overcurrent limiting protection. The inductor current is monitored during the off-state and the controller maintains the off-state when the inductor current is larger than the overcurrent trip level. The overcurrent trip level, V_{OCTRIP} , is determined by [Equation 8](#).

$$V_{OCTRIP} = R_{TRIP} \times \left(\frac{I_{TRIP}}{8} \right) \quad (8)$$

Because the comparison is made during the off-state, V_{OCTRIP} sets the valley level of the inductor current. The load current OCL level, I_{OCL} , can be calculated by considering the inductor ripple current.

Overcurrent limiting using $R_{DS(on)}$ sensing is shown in [Equation 9](#).

$$I_{OCL} = \left(\frac{V_{OCTRIP}}{R_{DS(on)}} \right) + \frac{I_{IND(ripple)}}{2} = \left(\frac{V_{OCTRIP}}{R_{DS(on)}} \right) + \frac{1}{2} \times \frac{V_{IN} - V_{OUT}}{L_X} \times \frac{V_{OUT}}{f_{SW} \times V_{IN}}$$

where

- $I_{IND(ripple)}$ is inductor ripple current (9)

In an overcurrent condition, the current to the load exceeds the current to the output capacitor, thus the output voltage tends to fall down. Eventually, it crosses the undervoltage protection threshold and shuts down.

Overvoltage and Undervoltage Protection

The TPS51518 sets the overvoltage protection (OVP) when VSNS voltage reaches a level 20% (typ) higher than the target voltage. When an OV event is detected, the controller changes the output target voltage to 0 V. This usually turns off DRVH and forces DRVL to be on. When the inductor current begins to flow through the low-side MOSFET and reaches the negative OCL, DRVL is turned off and DRVH is turned on, for a minimum on-time.

After the minimum on-time expires, DRVH is turned off and DRVL is turned on again. This action minimizes the output node undershoot due to LC resonance. When the VSNS reaches 0 V, the driver output is latched as DRVH off, DRVL on.

The undervoltage protection (UVP) latch is set when the VSNS voltage remains lower than 68% (typ) of the REFIN voltage for 1 ms or longer. In this fault condition, the controller latches DRVH low and DRVL low and discharges the V_{OUT} . UVP detection function is enabled after 1.2 ms of SMPS operation to ensure startup.

To release the OVP and UVP latches, toggle EN or adjust the V5IN voltage down and up beyond the undervoltage lockout threshold.

V5IN Undervoltage Lockout Protection

TPS51518 has a 5-V supply undervoltage lockout protection (UVLO) threshold. When the V5IN voltage is lower than UVLO threshold voltage, typically 4.0 V, V_{OUT} is shut off. This is a non-latch protection.

Thermal Shutdown

TPS51518 includes an internal temperature monitor. If the temperature exceeds the threshold value, 140°C (typ), V_{OUT} is shut off. The state of V_{OUT} is open at thermal shutdown. This is a non-latch protection and the operation is restarted with soft-start sequence when the device temperature is reduced by 10°C (typ).

Layout Considerations

Certain issues must be considered before designing a layout using the TPS51518.

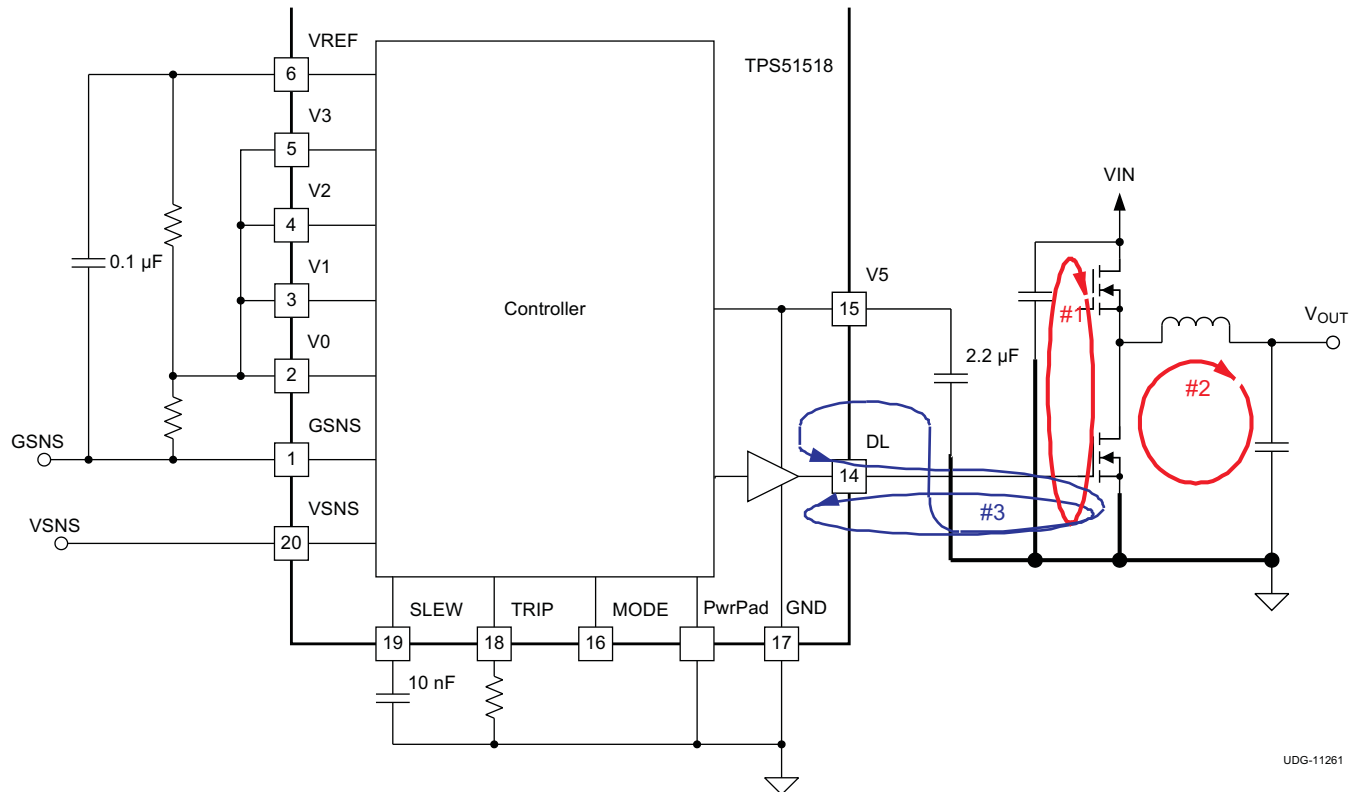


Figure 26. DC/DC Converter Ground System

- V_{IN} capacitor(s), V_{OUT} capacitor(s) and MOSFETs are the power components and should be placed on one side of the PCB (solder side). Other small signal components should be placed on another side (component side). At least one inner plane should be inserted, connected to ground, in order to shield and isolate the small signal traces from noisy power lines.
- All sensitive analog traces and components such as VSNS, SLEW, MODE, V0, V1, V2, V3, VREF and TRIP should be placed away from high-voltage switching nodes such as SW, DH, DL or BST to avoid coupling. Use internal layer(s) as ground plane(s) and shield feedback trace from power traces and components.
- The DC/DC converter has several high-current loops. The area of these loops should be minimized in order to suppress generating switching noise.
 - Loop #1. The most important loop to minimize the area of is the path from the V_{IN} capacitor(s) through the high and low-side MOSFETs, and back to the capacitor(s) through ground. Connect the negative node of the V_{IN} capacitor(s) and the source of the low-side MOSFET at ground as close as possible. (Refer to loop #1 of Figure 26)
 - Loop #2. The second important loop is the path from the low-side MOSFET through inductor and V_{OUT} capacitor(s), and back to source of the low-side MOSFET through ground. Connect source of the low-side MOSFET and negative node of V_{OUT} capacitor(s) at ground as close as possible. (Refer to loop #2 of Figure 26)
 - Loop #3. The third important loop is of gate driving system for the low-side MOSFET. To turn on the low-side MOSFET, high current flows from V5 capacitor through gate driver and the low-side MOSFET, and back to negative node of the capacitor through ground. To turn off the low-side MOSFET, high current

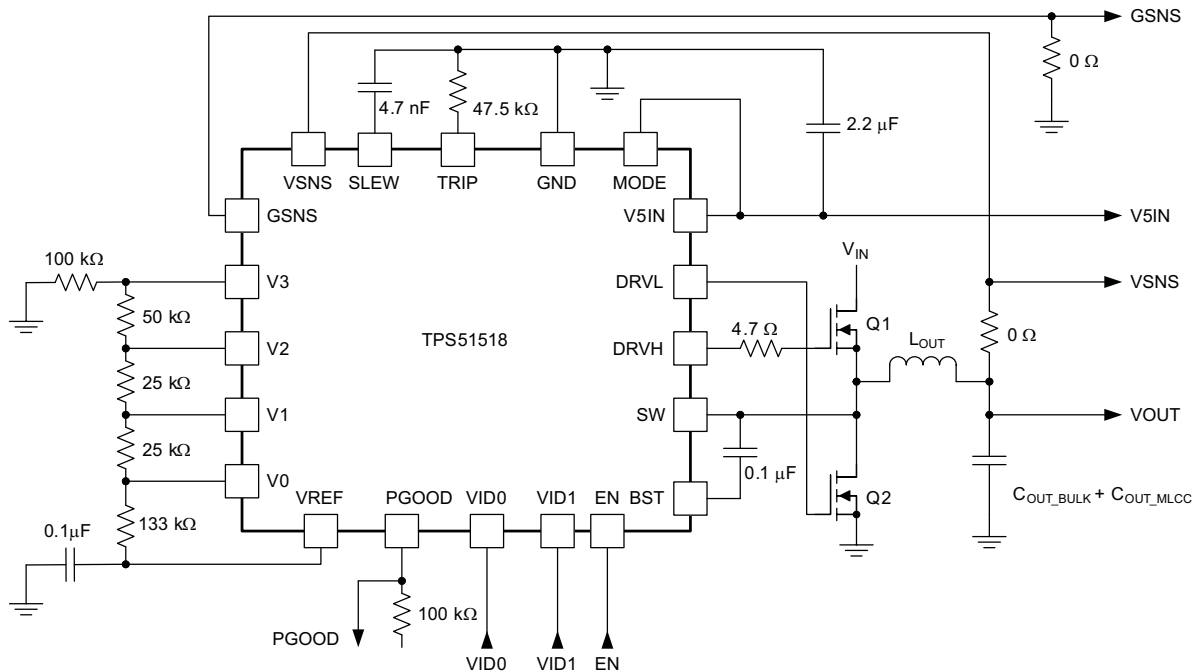
flows from gate of the low-side MOSFET through the gate driver and PGND, and back to source of the low-side MOSFET through ground. Connect negative node of V5 capacitor, source of the low-side MOSFET and PGND at ground as close as possible. (Refer to loop #3 of [Figure 26](#))

- VSNS can be connected directly to the output voltage sense point at the load device or the bulk capacitor at the converter side. For additional noise filtering, insert a 10- Ω , 1-nF, R-C filter between the sense point and the VSNS pin. Connect GSNS to ground return point at the load device or the general ground plane/layer. VSNS and GSNS can be used for the purpose of remote sensing across the load device, however, care must be taken to minimize the routing trace to prevent excess noise injection to the sense lines.
- Connect the overcurrent setting resistors from TRIP pin to ground and make the connections as close as possible to the device. The trace from TRIP pin to resistor and from resistor to ground should avoid coupling to a high-voltage switching node.
- Connections from gate drivers to the respective gate of the high-side or the low-side MOSFET should be as short as possible to reduce stray inductance. Use 0.65 mm (25 mils) or wider trace and via(s) of at least 0.5 mm (20 mils) diameter along this trace.
- The PCB trace defined as SW node, which connects to the source of the switching MOSFET, the drain of the rectifying MOSFET and the high-voltage side of the inductor, should be as short and wide as possible.
- In order to effectively remove heat from the package, prepare the thermal land and solder to the package thermal pad. Wide trace of the component-side copper, connected to this thermal land, helps to dissipate heat. Numerous vias with a 0.3-mm diameter connected from the thermal land to the internal/solder-side ground plane(s) should be used to help dissipation.

DESIGN EXAMPLES

This section describes three different applications for the TPS51518 controller. Design 1 is a 2-Bit VID $I_{CC(max)} = 25$ A, D-CAP2™, 350-kHz application. Design 2 is a 2-Bit VID $I_{CC(max)} = 2$ 5A, D-CAP™, 350-kHz application. Design 3 is a 2-Bit VID $I_{CC(max)}$ D-CAP2™, 350-kHz for Intel Chief River System Agent application (SV processor).

Design 1: 2-Bit VID $I_{CC(max)} = 25$ A, D-CAP2™, 350-kHz Application



UDG-11266

Figure 27. Application Circuit for Design 1

Table 3. VID Table for Design 1

VID1	VID0	OUTPUT VOLTAGE (V)
0	0	1.2
0	1	1.05
1	0	0.9
1	1	0.6

Table 4. List of Materials for Design 1

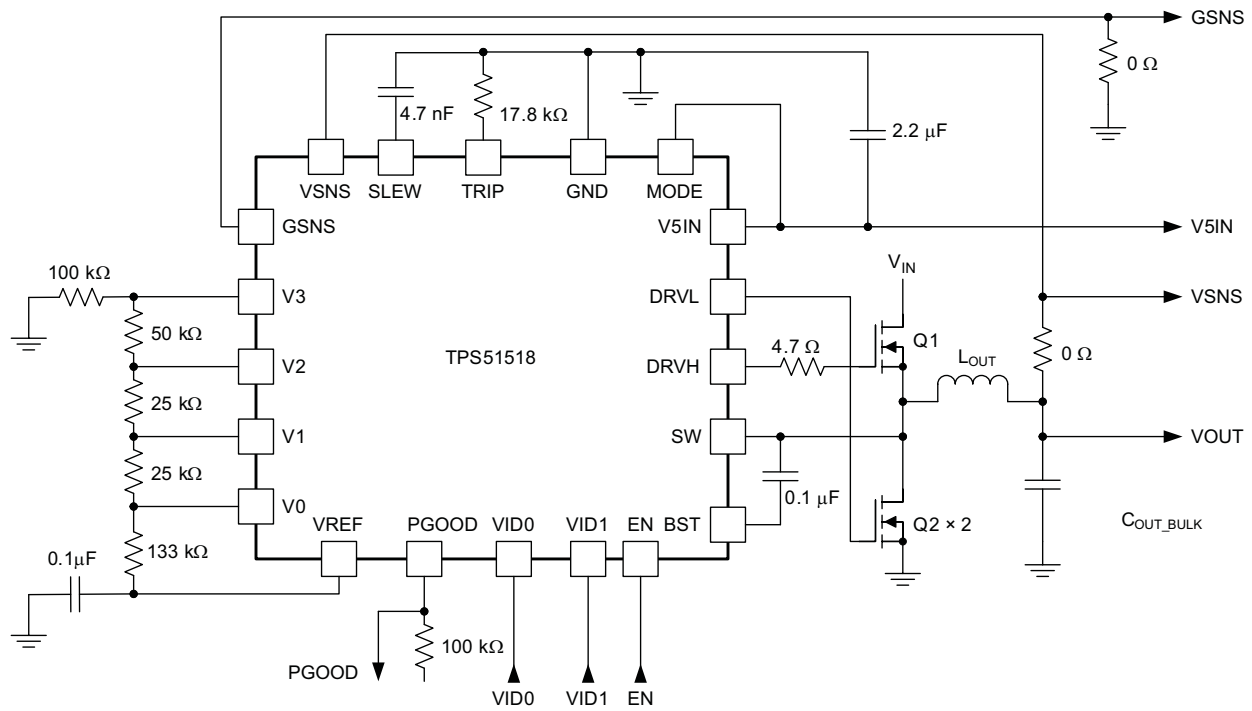
REFERENCE DESIGNATOR	QTY	SPECIFICATION	MANUFACTURER	PART NUMBER
C _{IN} (not shown)	4	10 μF, 25 V	Taiyo Yuden	TMK325BJ106MM
C _{OUT_BULK}	3	330 μF, 2.5 V, 9 mΩ	Sanyo	2TPE330M9
C _{OUT_MLCC}	10	22 μF, 6.3 V	Murata	GRM21BB30J226ME38
L _{OUT}	1	0.45 μH, 17 A, 1.1 mΩ	Panasonic	ETQP4LR45XFC
Q1	1	30 V, 7.3 mΩ	Texas Instruments	CSD17302Q5A
Q2	2	30 V, 3.3 mΩ	Texas Instruments	CSD17306Q5A

TPS51518

SLUSA08 –DECEMBER 2011

www.ti.com

Design 2: 2-Bit VID $I_{CC(max)} = 25\text{ A}$, D-CAP™, 350-kHz, Application Circuit



UDG-11267

Figure 28. Application Circuit for Design 2

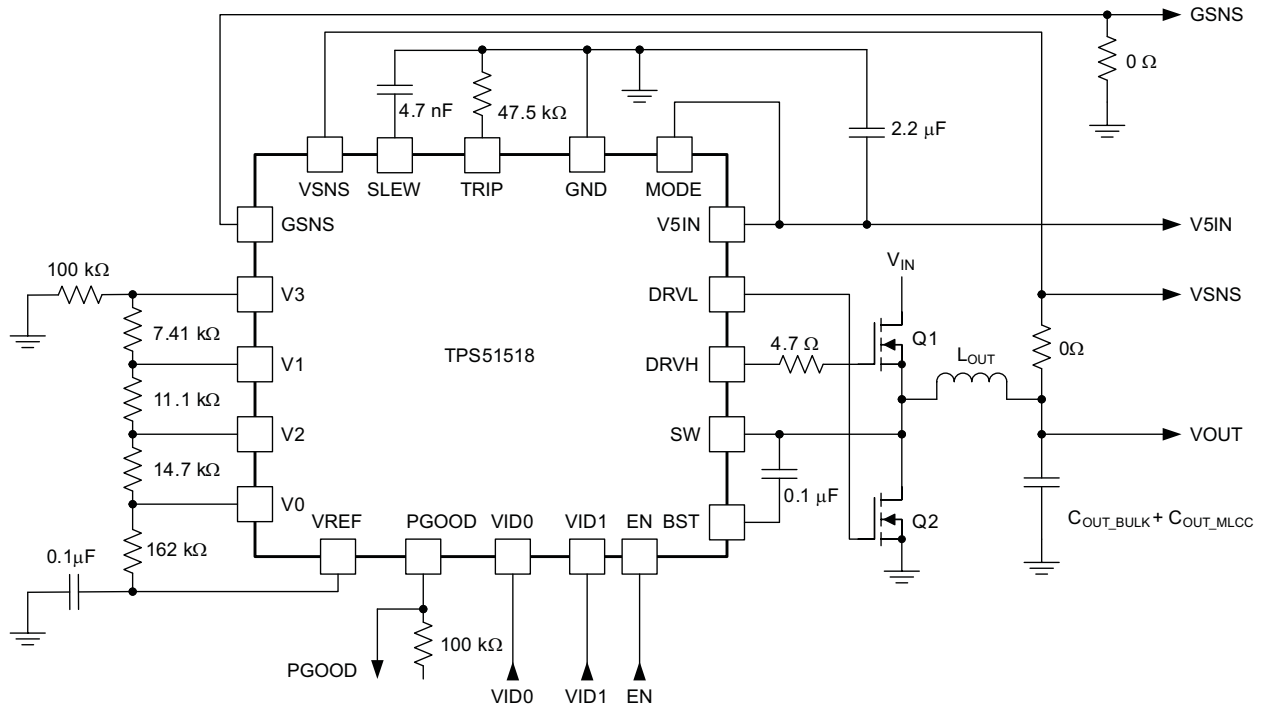
Table 5. VID Table for Design 2

VID1	VID0	OUTPUT VOLTAGE (V)
0	0	1.2
0	1	1.05
1	0	0.9
1	1	0.6

Table 6. List of Materials for Design 2

REFERENCE DESIGNATOR	QTY	SPECIFICATION	MANUFACTURER	PART NUMBER
C_{IN} (not shown)	4	10 μF , 25 V	Taiyo Yuden	TMK325BJ106MM
C_{OUT_BULK}	3	330 μF , 2.5 V, 9 m Ω	Sanyo	2TPE330M9
L_{OUT}	1	0.45 μH , 17 A, 1.1 m Ω	Panasonic	ETQP4LR45XFC
Q1	1	30 V, 7.3 m Ω	Texas Instruments	CSD17302Q5A
Q2	2	30 V, 3.3 m Ω	Texas Instruments	CSD17306Q5A

Design 3: 2-Bit VID, $I_{CC(max)} = 6$ A, D-CAP2™ 350-kHz for Intel Chief River System Agent Application (SV Processor)



UDG-11268

Figure 29. Application Circuit for Design 3

Table 7. VID Table for Design 3

VID1	VID0	OUTPUT VOLTAGE (V)
0	0	0.9
0	1	0.8
1	0	0.725
1	1	0.675

Table 8. List of Materials for Design 3

REFERENCE DESIGNATOR	QTY	SPECIFICATION	MANUFACTURER	PART NUMBER
C _{IN} (not shown)	2	10 μF, 25 V	Taiyo Yuden	TMK325BJ106MM
C _{OUT_BULK}	1	220 μF, 2.5 V, 9 mΩ	Sanyo	2TPE330M9
C _{OUT_MLCC}	1	22 μF, 6.3 V	Murata	GRM21BB30J226ME38
L _{OUT}	1	1.5 μH, 10 A, 9.7 mΩ	Panasonic	ETQP4LR45XFC
Q1	1	30 V, 7.3 mΩ	Texas Instruments	CSD17302Q5A
Q2	1	30 V, 3.3 mΩ	Texas Instruments	CSD17306Q5A

DESIGN PROCEDURE

The simplified design procedure is done for a system agent rail for IMVP7 Intel platform application using the TPS51518 controller.

Step One: Determine the specifications.

The system agent rail requirements provide the following key parameters:

- $V_{00} = 0.90\text{ V}$
- $V_{01} = 0.725\text{ V}$
- $V_{10} = 0.80\text{ V}$
- $V_{11} = 0.675\text{ V}$
- $I_{CC(max)} = 6\text{ A}$
- $I_{DYN(max)} = 2\text{ A}$

Step Two: Determine system parameters.

The input voltage range and operating frequency are of primary interest.

In this example:

- $9\text{ V} \leq V_{IN} \leq 20\text{ V}$
- $f_{SW} = 350\text{ kHz}$

Step Three: Determine inductor value and choose inductor.

Smaller values of inductor have better transient performance but higher ripple and lower efficiency. Higher values have the opposite characteristics. It is common practice to limit the ripple current to 25% to 50% of the maximum current. In this example, use 25%:

$$I_{P-P} = 6\text{ A} \times 0.25 = 1.5\text{ A}$$

At $f_{SW} = 350\text{ kHz}$ with a 20-V input and a 0.80-V output:

$$L = \frac{V \times dT}{I_{P-P}} = \frac{(V_{IN} - V_{OUT}) \times \left(\frac{V_{10}}{f_{SW} \times V_{IN}} \right)}{I_{P-P}} = \frac{(20\text{ V} - 0.8\text{ V}) \times \left(\frac{0.8\text{ V}}{350\text{ kHz} \times 20\text{ V}} \right)}{1.5\text{ A}} \quad (10)$$

For this application, a 1.5- μH , 9.7-m Ω inductor from TDK with part number SPM6530T-1R5M100 is used.

Step Four: Set the output voltages.

Set the output voltage levels. for V0, V1, V2 and V3 pins).

- VID 00, V0 = $V_{SET1} = 0.9\text{ V}$
- VID 10, V2 = $V_{SET2} = 0.8\text{ V}$
- VID 01, V1 = $V_{SET3} = 0.725\text{ V}$
- VID 11, V3 = $V_{SET4} = 0.675\text{ V}$

Follow the TPS51518 Design Tool_1.0.xls (in the **VID_Config** section) to determine the resistor values:

- $V_{REF} = 2\text{ V}$
- R1 = 162 k Ω
- R2 = 14.7 k Ω
- R3 = 11.1 k Ω
- R4 = 7.41 k Ω
- R5 = 100 k Ω

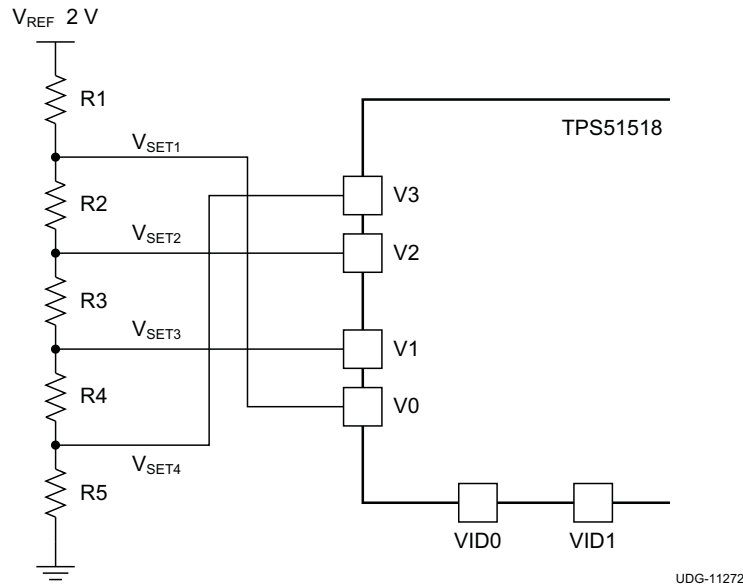


Figure 30. Setting the Output Voltage

Step Five: Calculate SLEW capacitance.

SLEW can be used to program the soft-start time and voltage transition timing. During soft-start operation, the current source used to program the SLEW rate is 10 μA (nominal). During VID transition, the current source is switched to a higher current of 50 μA .

In this design example, the requirement is to complete VID_00 to VID_11 transition within 20 μs , calculate the SLEW capacitance based on Equation 11.

$$C_{\text{SLEW}} = I \times \frac{dt}{dV} = 50 \mu\text{A} \times \frac{20 \mu\text{s}}{0.9\text{V} - 0.675\text{V}} = 4.7 \text{nF} \quad (11)$$

For $V_{\text{OUT}} = 0.9 \text{V}$, the soft start timing based on C_{SLEW} is 423 μs .

The slower slew rate is desired to minimize large inductor current perturbation during startup and voltage transition, thus reducing the possibility of acoustic noise.

Step Six

TPS51518 uses a low-side on-resistance ($R_{\text{DS(on)}}$) sensing scheme. The TRIP pin sources 10 μA of current and the trip level is set to 1/8 of the voltage across the TRIP resistor (R_{TRIP}). The overcurrent trip level is determined by $R_{\text{TRIP}} \times (I_{\text{TRIP}}/8)$. Because the comparison is done during the off state, the trip voltage sets the valley current. The load current can be calculated by considering the inductor ripple current.

$$R_{\text{TRIP}} = \frac{8 \times \left(I_{\text{OCL}} - \left(\frac{V_{\text{IN}} - V_{\text{OUT}}}{2 \times Lx} \right) \times \left(\frac{V_{\text{OUT}}}{f_{\text{SW}} \times V_{\text{IN}}} \right) \right) \times R_{\text{DS(on)}}}{I_{\text{TRIP}}}$$

where

- V_{IN} is the input voltage
- V_{OUT} is the output voltage
- f_{SW} is the switching frequency (350 kHz)
- $R_{\text{DS(on)}}$ is the low-side FET on resistance
- I_{TRIP} is the trip current, 10 μA (nominal)
- Lx is the output inductance

(12)

Step Seven: Determine the output capacitance.
D-CAP™ Mode

Organic semiconductor capacitor(s) or specialty polymer capacitor(s) are recommended. Determine the ESR value to meet small signal stability and recommended ripple voltage. A quick reference is shown in [Equation 13](#) and [Equation 14](#).

$$f_0 = \frac{1}{2\pi \times \text{ESR} \times C_{\text{OUT}}} \leq \frac{f_{\text{SW}}}{3} \quad (13)$$

$$\frac{g_M \times \text{ESR}}{2 \times \pi \times C_1} \leq \frac{f_0}{10}$$

where

- g_M is the 60 μS
 - C_1 is the SLEW capacitance
- (14)

$$\frac{V_{\text{OUT}} \times \text{ESR}}{f_{\text{SW}} \times L_x} \geq 20\text{mV} \quad (15)$$

D-CAP2™ Mode

The switching frequency for D-CAP2™ mode is 350 kHz and it is generally recommend to have a unity gain crossover (f_0) of 1/4 or 1/3 of the switching frequency, which is approximately 90 kHz to 120kHz for the purpose of this application.

$$f_0 = \frac{f_{\text{SW}}}{3} = 90\text{kHz} \quad \text{or} \quad f_0 = \frac{f_{\text{SW}}}{4} = 120\text{kHz} \quad (16)$$

Given the range of the recommended unity gain frequency, the power stage design is flexible, as long as the LC double pole frequency is less than 10% of f_0 .

$$f_{\text{LC}} = \frac{1}{2\pi\sqrt{L_{\text{OUT}} \times C_{\text{OUT}}}} \leq \frac{1}{10} \times f_0 = 9\text{kHz} \leftrightarrow 12\text{kHz} \quad (17)$$

As long as the LC double pole frequency is designed to be less than 1/10 of f_0 , the internal compensation network provides sufficient phase boost at the unity gain crossover frequency in order for the converter to be stable with enough margin ($> 60^\circ$).

When the ESR frequency of the output bulk capacitor is in the vicinity of the unity gain crossover frequency of the loop, additional phase boost is achieved. This applies to POSCAP and/or SPCAP output capacitors.

When the ESR frequency of the output capacitor is beyond the unity gain crossover frequency of the loop, no additional phase boost is achieved. This applies to low/ultra low ESR output capacitors, such as MLCCs.

[Equation 18](#) and [Equation 19](#) can be used to estimate the amount of capacitance needed for a given dynamic load step/release. Note that there are other factors that may impact the amount of output capacitance for a specific design, such as ripple and stability. [Equation 18](#) and [Equation 19](#) are used only to estimate the transient requirement, the result should be used in conjunction with other factors of the design to determine the necessary output capacitance for the application.

$$C_{\text{OUT}(\text{min_under})} = \frac{L \times (\Delta I_{\text{LOAD}(\text{max})})^2 \times \left(\frac{V_{\text{OUT}} \times t_{\text{SW}}}{V_{\text{IN}(\text{min})}} + t_{\text{MIN}(\text{off})} \right)}{2 \times \Delta V_{\text{LOAD}(\text{insert})} \times \left(\left(\frac{V_{\text{IN}(\text{min})} - V_{\text{OUT}}}{V_{\text{IN}(\text{min})}} \right) \times t_{\text{SW}} - t_{\text{MIN}(\text{off})} \right) \times V_{\text{OUT}}} \quad (18)$$

$$C_{\text{OUT}(\text{min_over})} = \frac{L_{\text{OUT}} \times (\Delta I_{\text{LOAD}(\text{max})})^2}{2 \times \Delta V_{\text{LOAD}(\text{release})} \times V_{\text{OUT}}} \quad (19)$$

[Equation 18](#) and [Equation 19](#) calculate the minimum C_{OUT} for meeting the transient requirement, which is 72.9 μF assuming $\pm 3\%$ voltage allowance for load step and release.

Step Eight: Select decoupling and peripheral components.

For the TPS51518, peripheral capacitors use the following minimum values of ceramic capacitance. X5R or better temperature coefficient is recommended. Tighter tolerances and higher voltage ratings are always appropriate.

- V5IN decoupling $\geq 2.2 \mu\text{F}$, $\geq 10 \text{ V}$
- VREF decoupling $0.22 \mu\text{F}$ to $1 \mu\text{F}$, $\geq 4 \text{ V}$
- Bootstrap capacitors $\geq 0.1 \mu\text{F}$, $\geq 10 \text{ V}$
- Pull-up resistors on PGOOD, $100 \text{ k}\Omega$

PACKAGING INFORMATION

Orderable Device	Status (1)	Package Type	Package Drawing	Pins	Package Qty	Eco Plan (2)	Lead finish/ Ball material (6)	MSL Peak Temp (3)	Op Temp (°C)	Device Marking (4/5)	Samples
TPS51518RUKR	ACTIVE	WQFN	RUK	20	3000	RoHS & Green	NIPDAU	Level-2-260C-1 YEAR	-10 to 105	51518	Samples
TPS51518RUKT	ACTIVE	WQFN	RUK	20	250	RoHS & Green	NIPDAU	Level-2-260C-1 YEAR	-10 to 105	51518	Samples

(1) The marketing status values are defined as follows:

ACTIVE: Product device recommended for new designs.

LIFEBUY: TI has announced that the device will be discontinued, and a lifetime-buy period is in effect.

NRND: Not recommended for new designs. Device is in production to support existing customers, but TI does not recommend using this part in a new design.

PREVIEW: Device has been announced but is not in production. Samples may or may not be available.

OBSOLETE: TI has discontinued the production of the device.

(2) **RoHS:** TI defines "RoHS" to mean semiconductor products that are compliant with the current EU RoHS requirements for all 10 RoHS substances, including the requirement that RoHS substance do not exceed 0.1% by weight in homogeneous materials. Where designed to be soldered at high temperatures, "RoHS" products are suitable for use in specified lead-free processes. TI may reference these types of products as "Pb-Free".

RoHS Exempt: TI defines "RoHS Exempt" to mean products that contain lead but are compliant with EU RoHS pursuant to a specific EU RoHS exemption.

Green: TI defines "Green" to mean the content of Chlorine (Cl) and Bromine (Br) based flame retardants meet JS709B low halogen requirements of <=1000ppm threshold. Antimony trioxide based flame retardants must also meet the <=1000ppm threshold requirement.

(3) MSL, Peak Temp. - The Moisture Sensitivity Level rating according to the JEDEC industry standard classifications, and peak solder temperature.

(4) There may be additional marking, which relates to the logo, the lot trace code information, or the environmental category on the device.

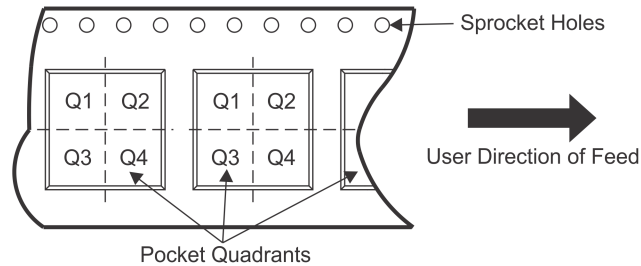
(5) Multiple Device Markings will be inside parentheses. Only one Device Marking contained in parentheses and separated by a "~" will appear on a device. If a line is indented then it is a continuation of the previous line and the two combined represent the entire Device Marking for that device.

(6) Lead finish/Ball material - Orderable Devices may have multiple material finish options. Finish options are separated by a vertical ruled line. Lead finish/Ball material values may wrap to two lines if the finish value exceeds the maximum column width.

Important Information and Disclaimer:The information provided on this page represents TI's knowledge and belief as of the date that it is provided. TI bases its knowledge and belief on information provided by third parties, and makes no representation or warranty as to the accuracy of such information. Efforts are underway to better integrate information from third parties. TI has taken and continues to take reasonable steps to provide representative and accurate information but may not have conducted destructive testing or chemical analysis on incoming materials and chemicals. TI and TI suppliers consider certain information to be proprietary, and thus CAS numbers and other limited information may not be available for release.

In no event shall TI's liability arising out of such information exceed the total purchase price of the TI part(s) at issue in this document sold by TI to Customer on an annual basis.

TAPE AND REEL INFORMATION

QUADRANT ASSIGNMENTS FOR PIN 1 ORIENTATION IN TAPE


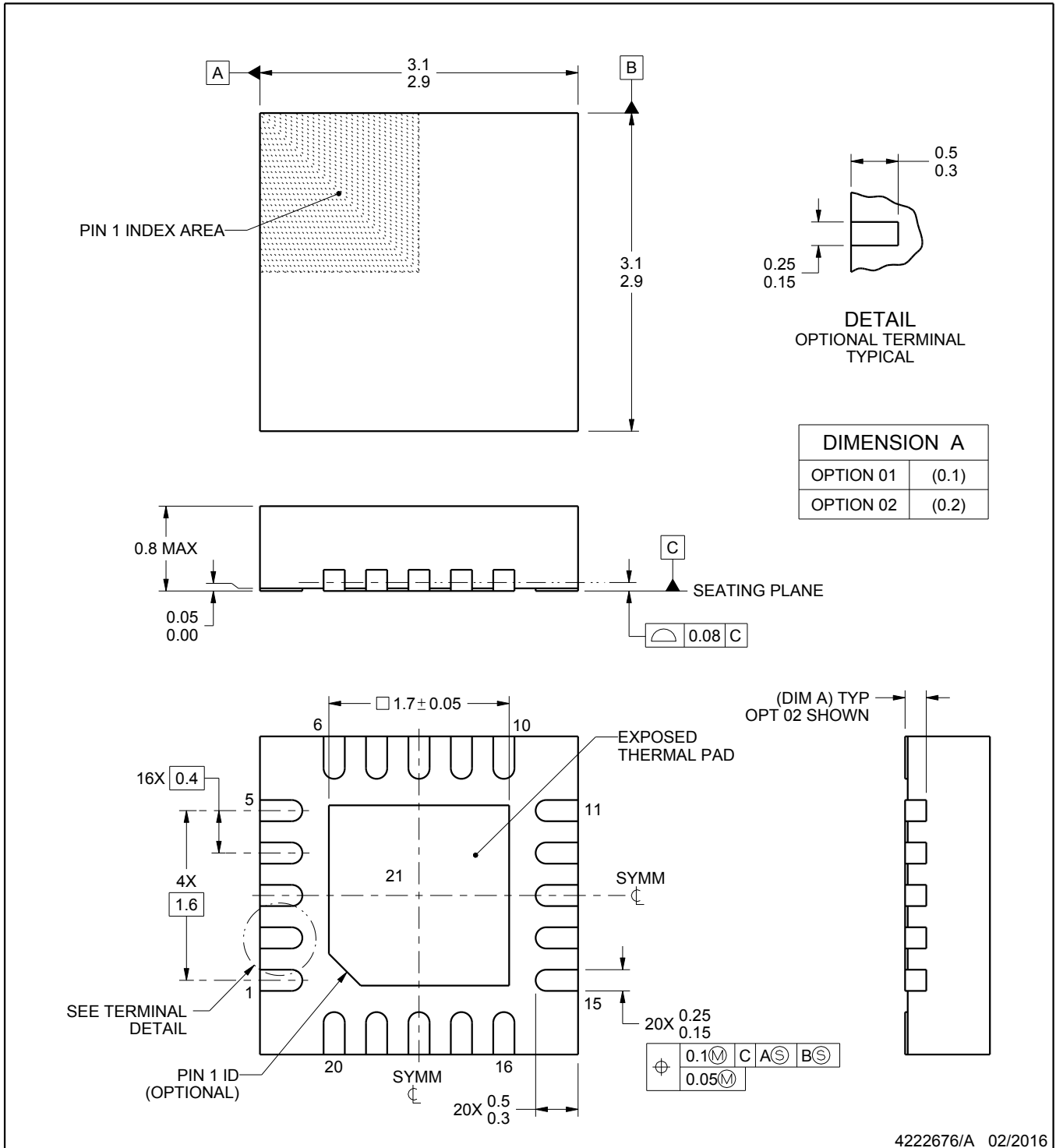
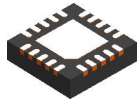
*All dimensions are nominal

Device	Package Type	Package Drawing	Pins	SPQ	Reel Diameter (mm)	Reel Width W1 (mm)	A0 (mm)	B0 (mm)	K0 (mm)	P1 (mm)	W (mm)	Pin1 Quadrant
TPS51518RUKR	WQFN	RUK	20	3000	330.0	12.4	3.3	3.3	1.1	8.0	12.0	Q2
TPS51518RUKT	WQFN	RUK	20	250	180.0	12.4	3.3	3.3	1.1	8.0	12.0	Q2

TAPE AND REEL BOX DIMENSIONS


*All dimensions are nominal

Device	Package Type	Package Drawing	Pins	SPQ	Length (mm)	Width (mm)	Height (mm)
TPS51518RUKR	WQFN	RUK	20	3000	367.0	367.0	35.0
TPS51518RUKT	WQFN	RUK	20	250	210.0	185.0	35.0



4222676/A 02/2016

NOTES:

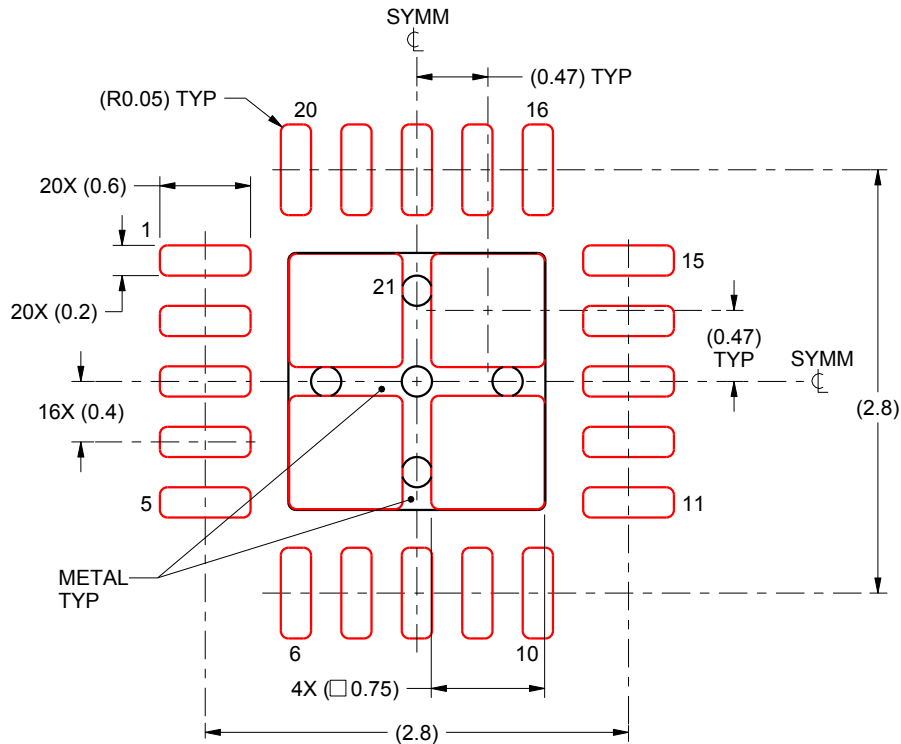
1. All linear dimensions are in millimeters. Any dimensions in parenthesis are for reference only. Dimensioning and tolerancing per ASME Y14.5M.
2. This drawing is subject to change without notice.
3. The package thermal pad must be soldered to the printed circuit board for thermal and mechanical performance.

EXAMPLE STENCIL DESIGN

RUK0020B

WQFN - 0.8 mm max height

PLASTIC QUAD FLATPACK - NO LEAD



SOLDER PASTE EXAMPLE BASED ON 0.1 mm THICK STENCIL

EXPOSED PAD 21:
78% PRINTED SOLDER COVERAGE BY AREA UNDER PACKAGE
SCALE:20X

4222676/A 02/2016

NOTES: (continued)

6. Laser cutting apertures with trapezoidal walls and rounded corners may offer better paste release. IPC-7525 may have alternate design recommendations.

IMPORTANT NOTICE AND DISCLAIMER

TI PROVIDES TECHNICAL AND RELIABILITY DATA (INCLUDING DATA SHEETS), DESIGN RESOURCES (INCLUDING REFERENCE DESIGNS), APPLICATION OR OTHER DESIGN ADVICE, WEB TOOLS, SAFETY INFORMATION, AND OTHER RESOURCES "AS IS" AND WITH ALL FAULTS, AND DISCLAIMS ALL WARRANTIES, EXPRESS AND IMPLIED, INCLUDING WITHOUT LIMITATION ANY IMPLIED WARRANTIES OF MERCHANTABILITY, FITNESS FOR A PARTICULAR PURPOSE OR NON-INFRINGEMENT OF THIRD PARTY INTELLECTUAL PROPERTY RIGHTS.

These resources are intended for skilled developers designing with TI products. You are solely responsible for (1) selecting the appropriate TI products for your application, (2) designing, validating and testing your application, and (3) ensuring your application meets applicable standards, and any other safety, security, regulatory or other requirements.

These resources are subject to change without notice. TI grants you permission to use these resources only for development of an application that uses the TI products described in the resource. Other reproduction and display of these resources is prohibited. No license is granted to any other TI intellectual property right or to any third party intellectual property right. TI disclaims responsibility for, and you will fully indemnify TI and its representatives against, any claims, damages, costs, losses, and liabilities arising out of your use of these resources.

TI's products are provided subject to [TI's Terms of Sale](#) or other applicable terms available either on [ti.com](#) or provided in conjunction with such TI products. TI's provision of these resources does not expand or otherwise alter TI's applicable warranties or warranty disclaimers for TI products.

TI objects to and rejects any additional or different terms you may have proposed.

Mailing Address: Texas Instruments, Post Office Box 655303, Dallas, Texas 75265
Copyright © 2021, Texas Instruments Incorporated