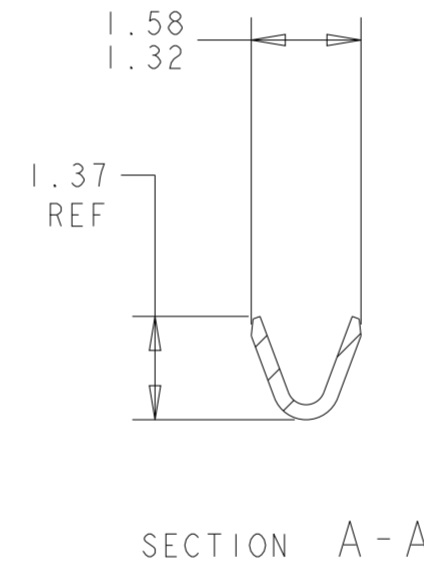
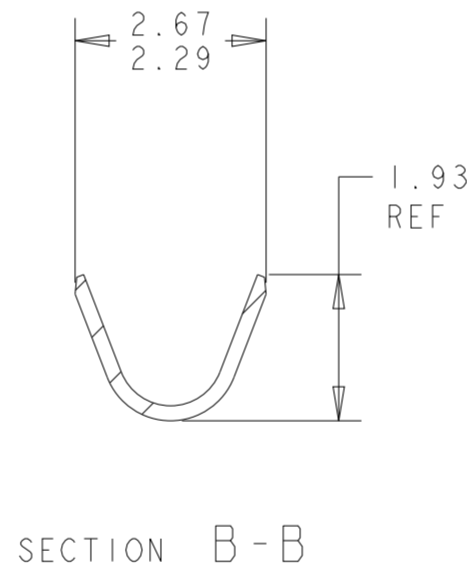
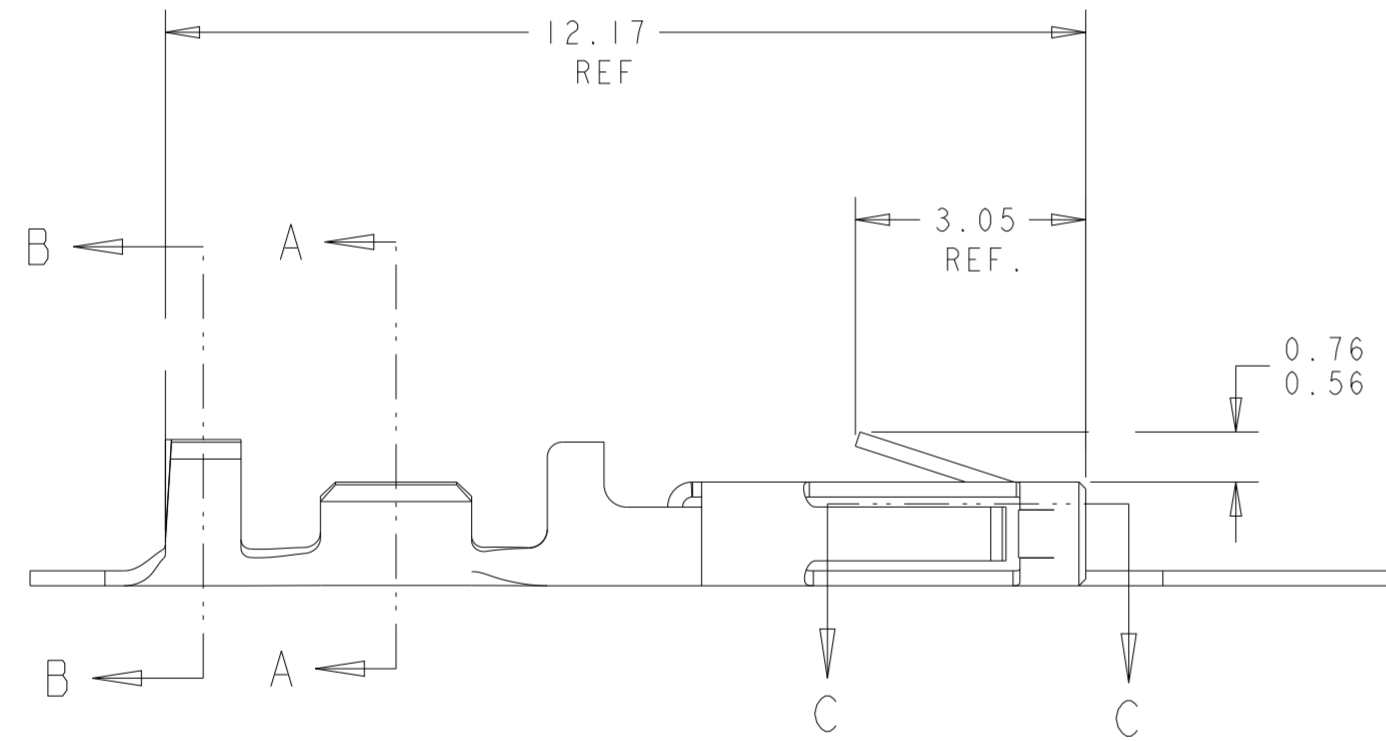
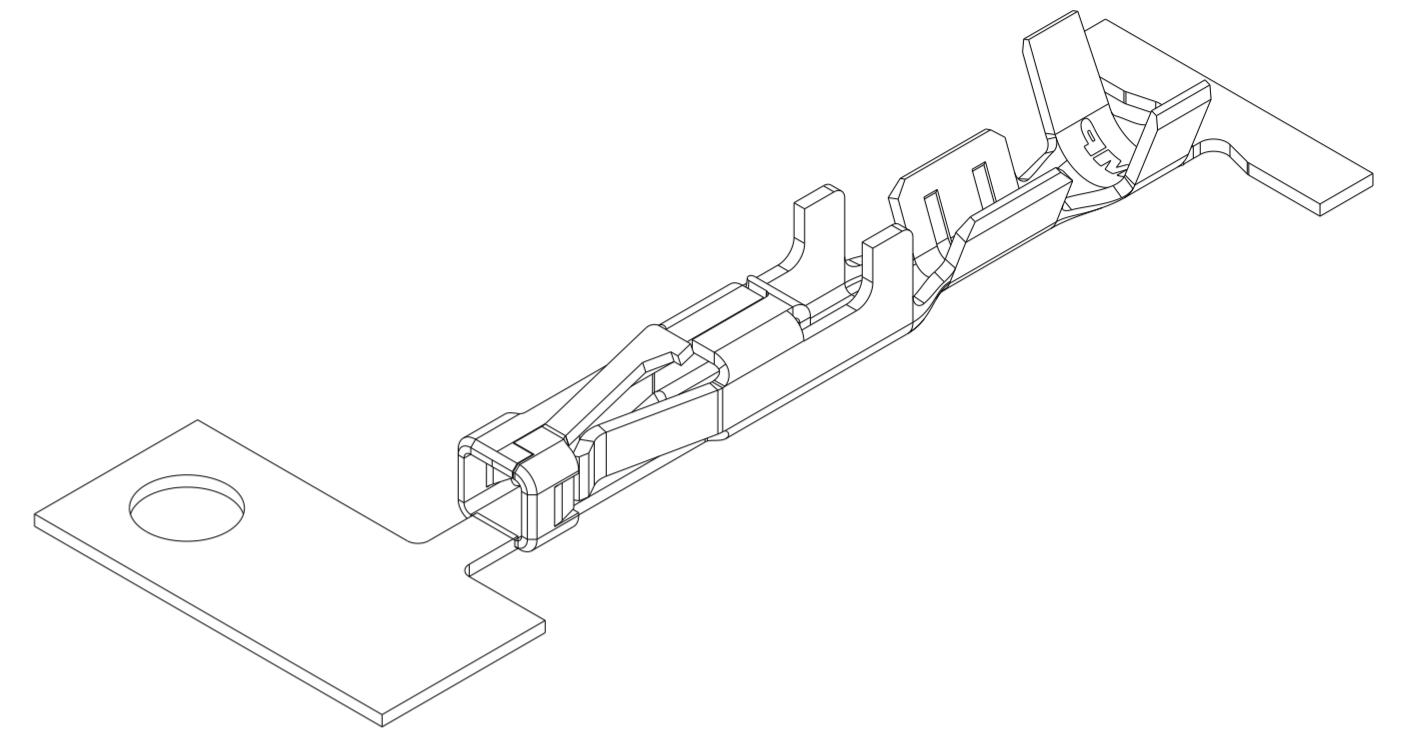
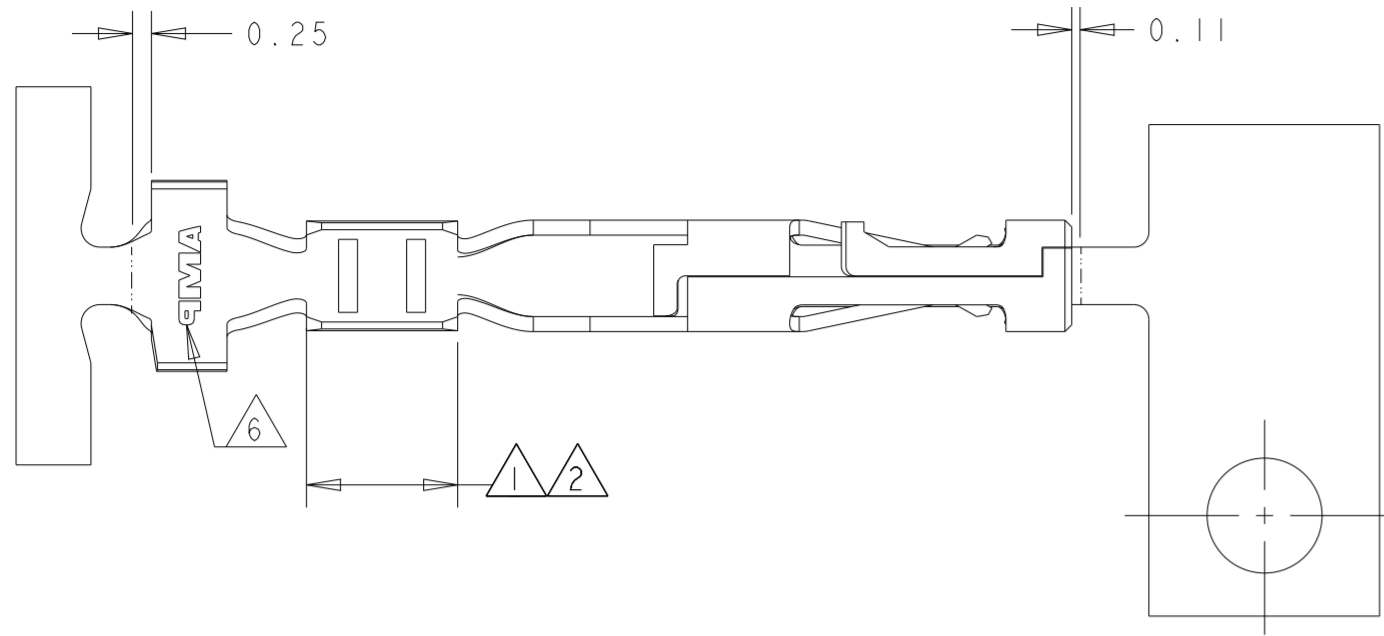
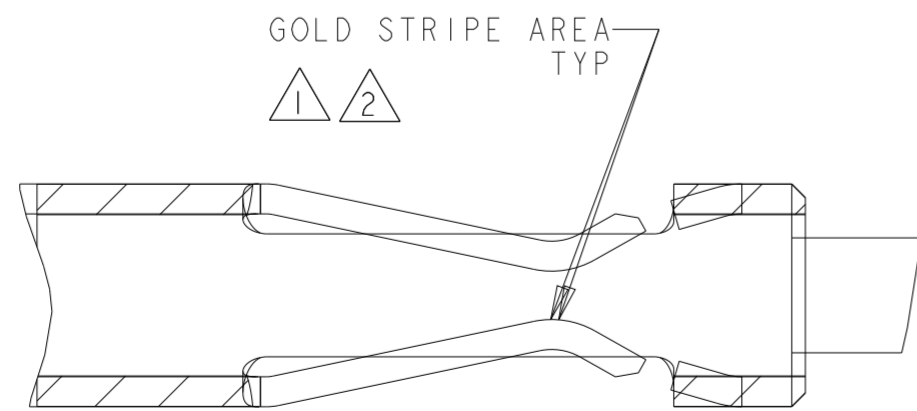


THIS DRAWING IS UNPUBLISHED. RELEASED FOR PUBLICATION  
 © COPYRIGHT 20 BY - ALL RIGHTS RESERVED.

LOC	DIST	REVISIONS					
CM	53	P	LTR	DESCRIPTION	DATE	DWN	APVD
		F1		REVISED PER ECO-11-005027	14MAR2011	RK	HMR
		F2		REVISED PER ECR-18-006831	12JUN2018	JB	DZ
		F3		ECO-19-006909	03MAY2019	AP	WS
		F4		REVISED PER ECN-22-186748	25NOV2022	WLS	VS



- 1 0.000762 THK GOLD STRIPE IN THE GOLD PLATE AREA, BRIGHT TIN IN THE CRIMP AREA, OVER NICKEL PLATE.
- 2 0.000381 THK GOLD STRIPE IN THE GOLD PLATE AREA, BRIGHT TIN IN THE CRIMP AREA, OVER NICKEL PLATE.
- 3 0.0015 - 0.0040 THK BRIGHT TIN.
- 4. WIRE RANGE: 26 - 30 AWG.
- 5. INSULATION RANGE 0.89 - 1.524.
- 6 AMP LOGO LOCATED APPROXIMATELY AS SHOWN.
- 7 0.000762 THK GOLD STRIPE IN THE GOLD PLATE AREA, BRIGHT TIN-LEAD IN THE CRIMP AREA, OVER NICKEL PLATE.
- 8 0.000381 THK GOLD STRIPE IN THE GOLD PLATE AREA, BRIGHT TIN-LEAD IN THE CRIMP AREA, OVER NICKEL PLATE.



SECTION C-C  
SCALE 20:1

	1	1-794607-2
	2	1-794607-1
SUPERSEDED BY	1	794607-3
SUPERSEDED BY	8	794607-2
	3	794607-1
REMARKS	FINISH	PART NUMBER

DIMENSIONS:		TOLERANCES UNLESS OTHERWISE SPECIFIED:		DWN		CHK		APVD		NAME	
mm		0 PLC	±	K. WHITAKER		K. COBLE		K. COBLE		TE Connectivity	
		1 PLC	±	12-OCT-1999		12-OCT-1999		12-OCT-1999		CONTACT, RECEPTACLE, CRIMP SNAP-IN, MICRO MATE-N-LOK(TM)	
		2 PLC	±0.13							SIZE CAGE CODE DRAWING NO	
		3 PLC	±							A200779 C-794607	
		4 PLC	±							RESTRICTED TO	
MATERIAL		ANGLES	±0.30°	108-1836		114-13000		WEIGHT		SCALE 10:1 SHEET 1 OF 1 REV F4	
0.2 PH BRZ		FINISH	SEE TABLE	APPLICATION SPEC		CUSTOMER DRAWING					