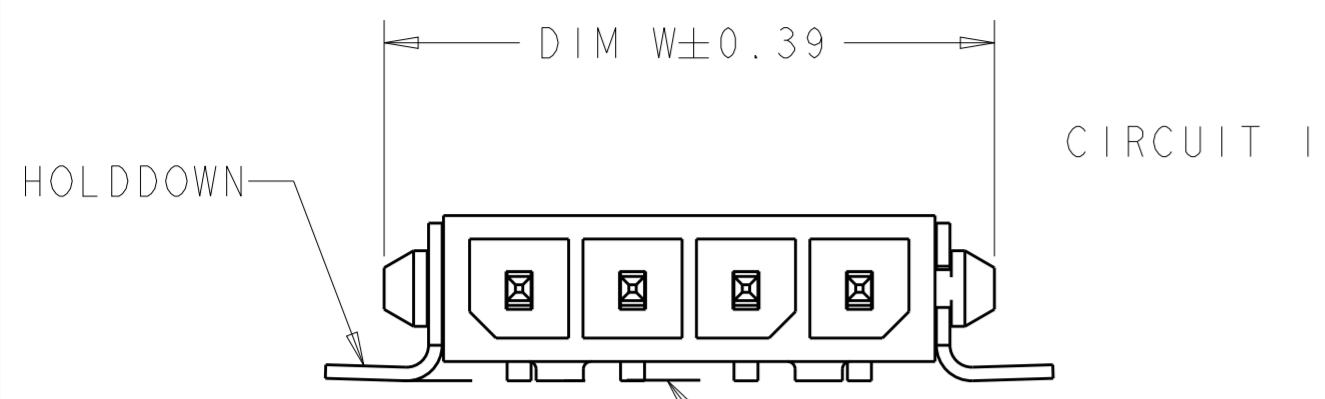
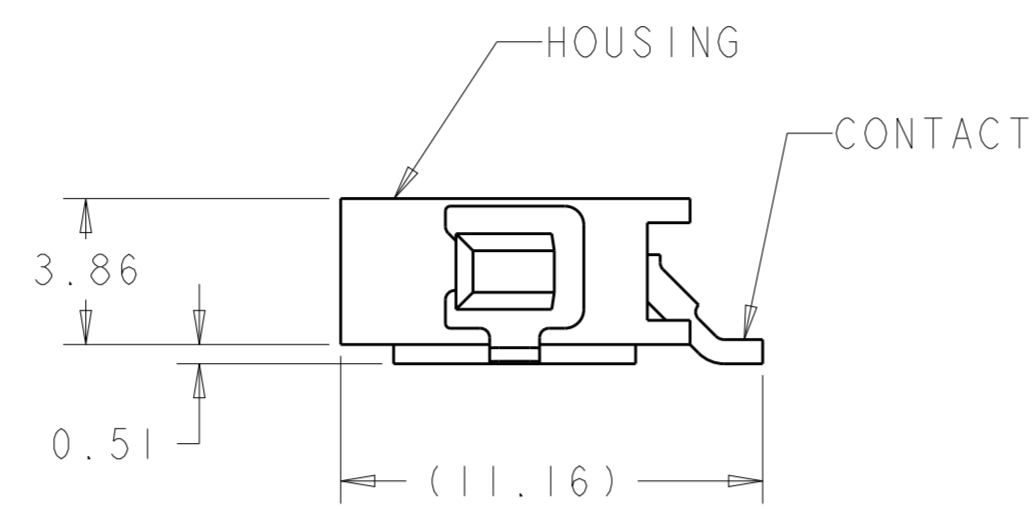


THIS DRAWING IS UNPUBLISHED. RELEASED FOR PUBLICATION 20
 © COPYRIGHT 20 ALL RIGHTS RESERVED.

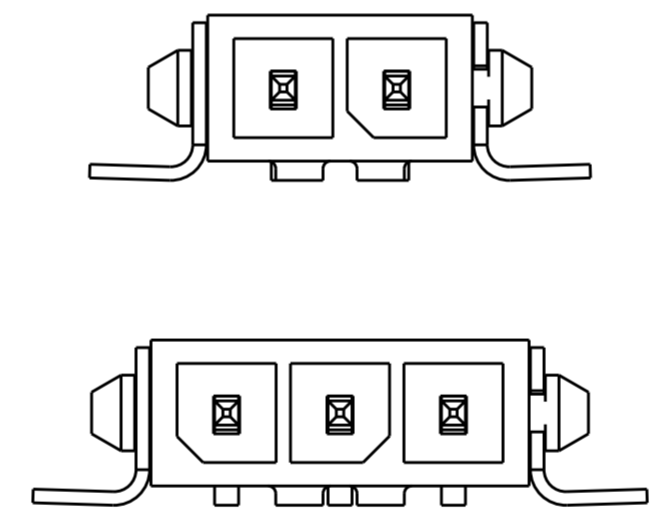
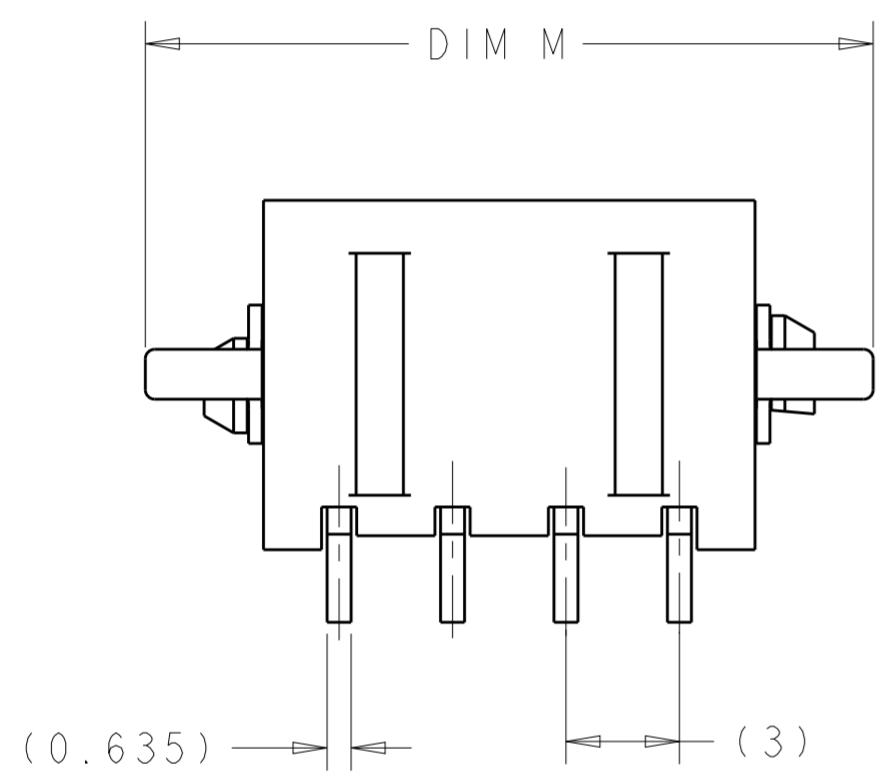
LOC	DIST	REVISIONS					
CM	00	P	LTR	DESCRIPTION	DATE	DWN	APVD
			A5	REVISED PER ECN-20-100589	29OCT2020	WLS	VS



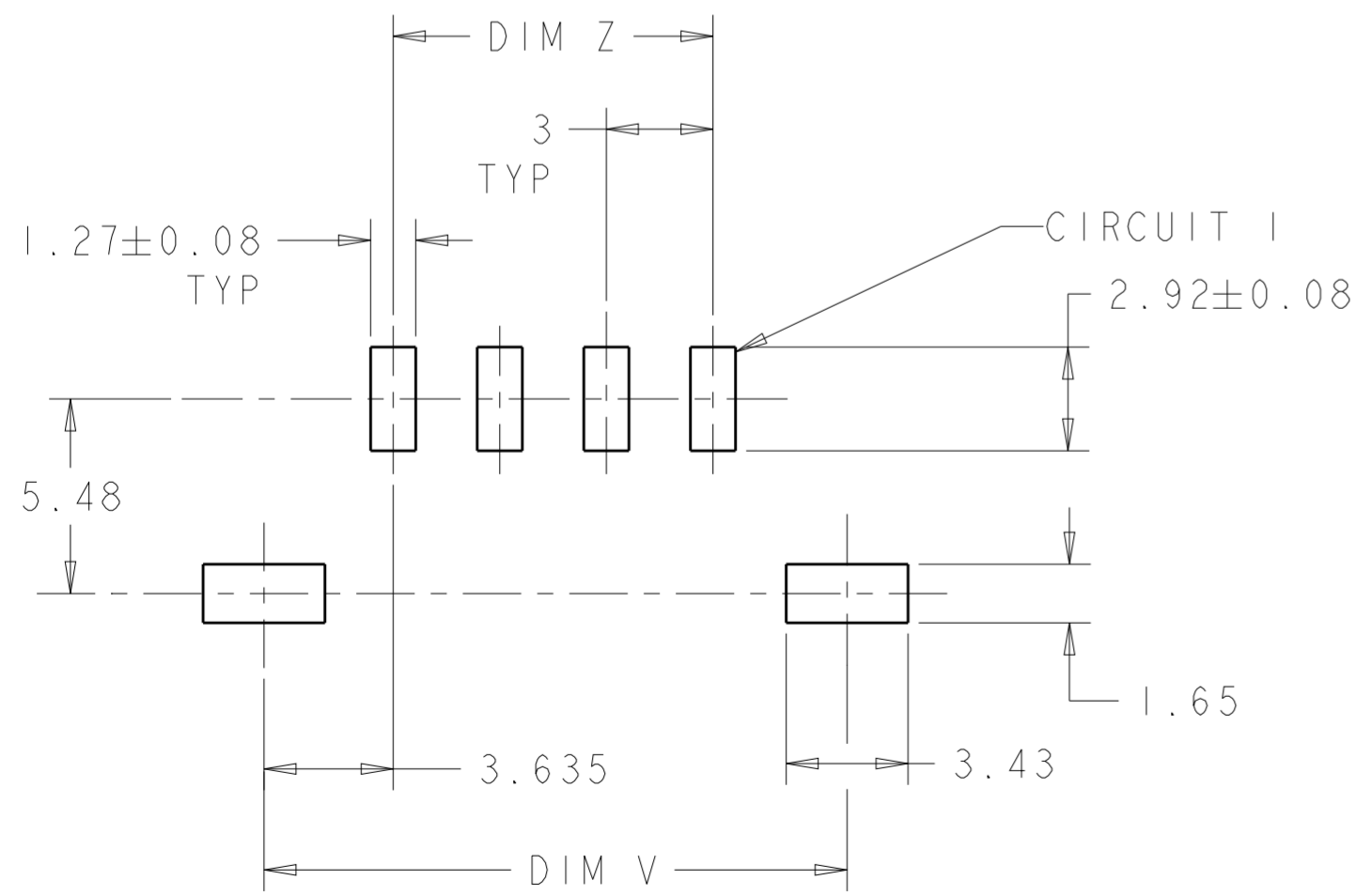
0.15
 INCLUDES CONTACT TAILS, HOUSING STANDOFFS, AND BOARDLOCKS



- 1 MATERIAL: CONTACTS - BRASS
 HOUSING - UL 94V-0 RATED HIGH TEMP NYLON, COLOR BLACK.
 HOLDDOWNS - PHOSPHOR BRONZE.
- 2 PLATING: CONTACTS - 2.54µm MINIMUM TIN OVER 1.27µm MINIMUM NICKEL. LEAD FREE PLATING.
 HOLDDOWNS - 2.54µm MINIMUM TIN OVER 1.27µm MINIMUM NICKEL. LEAD FREE PLATING.
- 3 RECOMMENDED PC BOARD THICKNESS OF 1.57.
- 4 PLATING: CONTACTS - 2.54µm MINIMUM TIN OVER 1.27µm MINIMUM NICKEL. LEAD FREE PLATING.
 0.762µm MINIMUM GOLD ON MATING END.
 HOLDDOWNS - 2.54µm MINIMUM TIN OVER 1.27µm MINIMUM NICKEL. LEAD FREE PLATING.
- 5 PRELIMINARY DRAWING NOT RELEASED FOR PRODUCTION.



KEYING BY POSITION SIZE



PCB LAYOUT COMPONENT SIDE 3

FINISH	DIM M	DIM Z	DIM W	DIM V	NO. OF POSN	PART NUMBER
OBSOLETE 5	13.25	3	10	10.41	2	2-2029030-2
4	13.25	3	10	10.41	2	1-2029030-2
2	19.25	9	16	16.41	4	2029030-4
2	16.25	6	13	13.41	3	2029030-3
2	13.25	3	10	10.41	2	2029030-2

THIS DRAWING IS A CONTROLLED DOCUMENT.

DWN K. WHITAKER 27NOV2007	TE Connectivity NAME RT ANG SURF MNT HDR ASSY, SGL LATCH, TIN POSTS, SURF MOUNT HOLDDOWNS, SINGLE ROW, MICRO MATE-N-LOK(TM)					
CHK C. JONES 27NOV2007						
APVD C. JONES 27NOV2007						
PRODUCT SPEC						
DIMENSIONS: mm	TOLERANCES UNLESS OTHERWISE SPECIFIED:	APPLICATION SPEC 108-1836	SIZE 114-13000	CAGE CODE A200779	DRAWING NO C-2029030	RESTRICTED TO
MATERIAL	0 PLC ±0.13 1 PLC ±0.13 2 PLC ±0.13 3 PLC ±0.13 4 ANGLES ±°	WEIGHT	SCALE 5:1	SHEET 1	OF 1	REV A5

CUSTOMER DRAWING