

Material:

* Insulation:

High Temperature Plastic UL 94V-0

* Contact: Phosphor Bronze

Ordering Code:

CA32 ** M 1 3 0 0
 ① ② ③ ④ ⑤ ⑥ ⑦

① Series No.:

② No. of Circuits: 04 to 26

③ Contacts Type:

M= SMT Type

④ Plating option:

1= Tin over Nickel plated

(Matte Tin plated)

⑤ Color: 3= Red

⑥ Pad Option: 0= With Pad (Reel Packing)

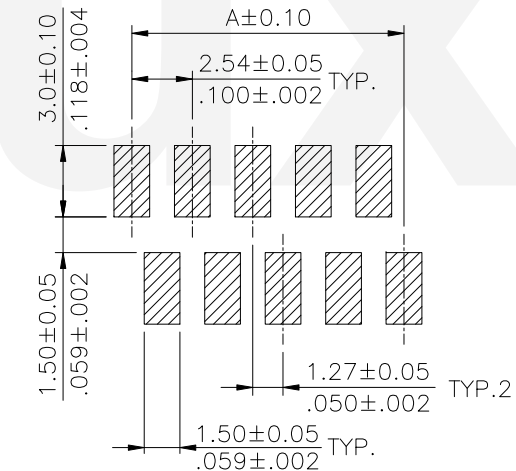
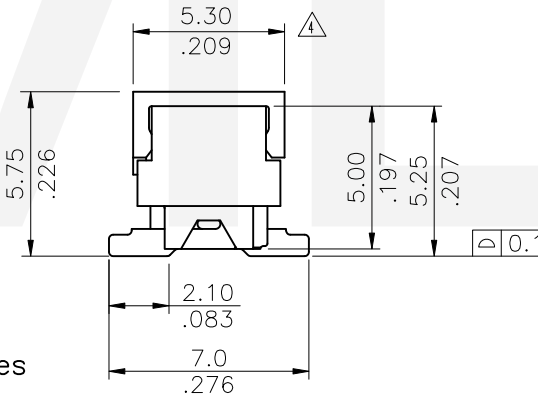
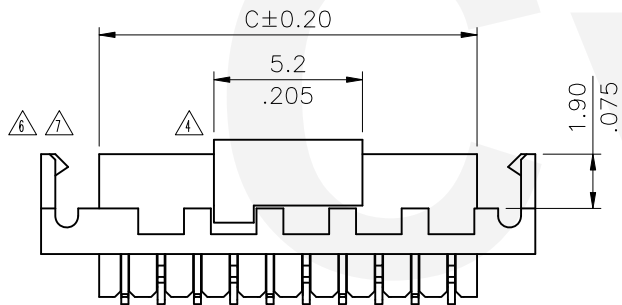
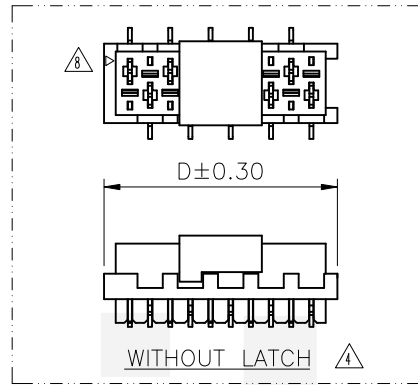
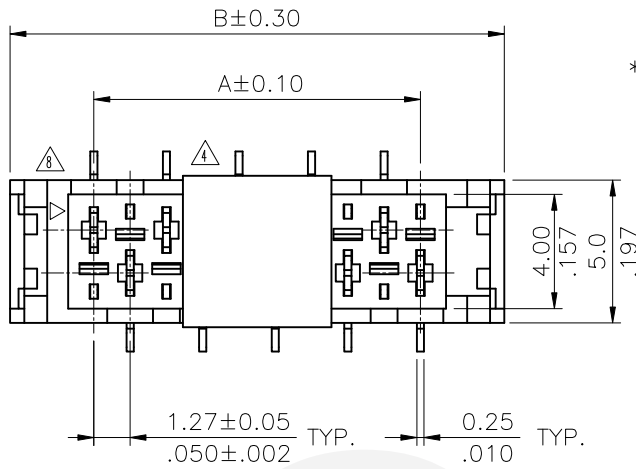
P= Without Pad (Reel Packing)

D= With Pad (Tube Packing)

T= Without Pad (Tube Packing)

⑦ Latch Option: 0= Without Latch

L= With Latch



DIM.A= 1.27 x No. of Spaces

DIM.B= DIM.A + 5.87

DIM.C= DIM.A + 1.80

DIM.D= DIM.A + 3.27

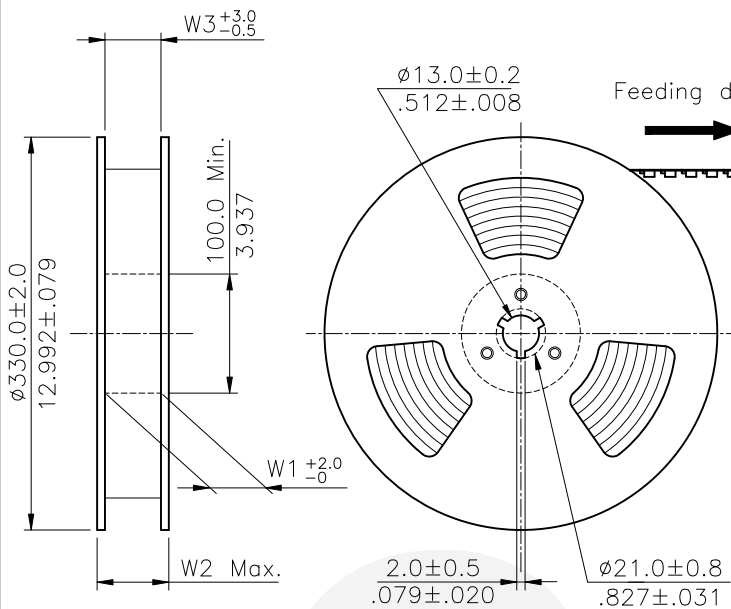
*Available in 4 ~ 26 Circuits

Lead Free Process

RoHS Compliant

Recommended P.C. Board Layout

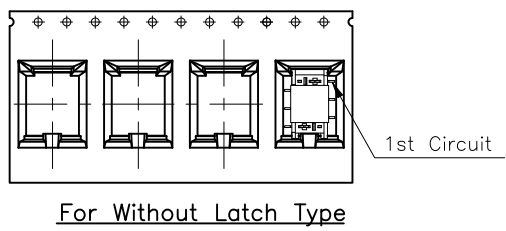
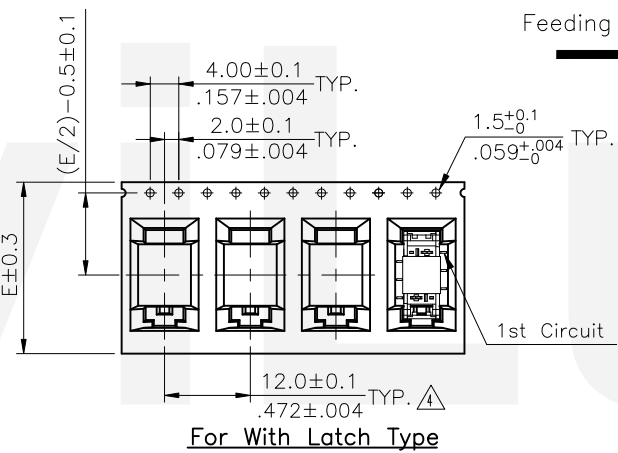
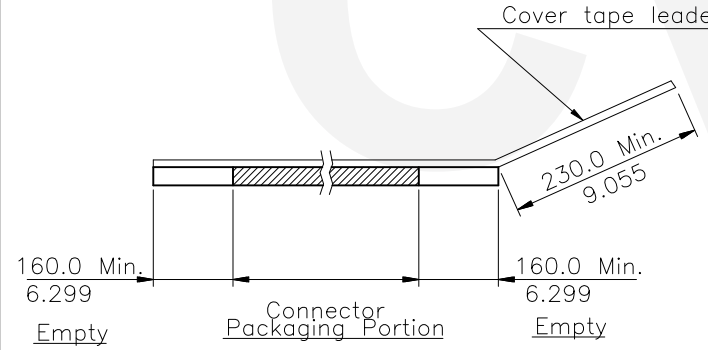
⑧	Kenny	10/8-20'	ECRT120057/ECNT120268	 2020.12.10 ISSUED		DATE	UNIT: mm / inch	TITLE: 1.27mm Pitch Female Top entry SMT Type Connector	 瀚荃股份有限公司 CviLux Corporation
⑦	Sun	11/21-16'	ECRB116078/ECNT116286		DRAWN BY: Sun	11/30-20'	TOLERANCE UNLESS OTHERWISE SPECIFIED	MATERIAL:	
⑥	Sun	3/11-16'	ECRT116009/ECNT116035		ENGINEER: Sun	11/30-20'	.X ± 0.3/.012 X' ± 1'	FINISH:	PART NO. CA32**M13**
⑤	Sun	5/04-12'	ECN12080-0/ECR12003-1		CHECKED BY: Eisley	12/07-20'	.XX ± 0.2/.008 .X' ±		SCALE 4 / 1
SYM	NAME	DATE	REVISIONS		APPROVED BY: Eisley	12/07-20'	.XXX ± 0.1/.004 .XX' ±		



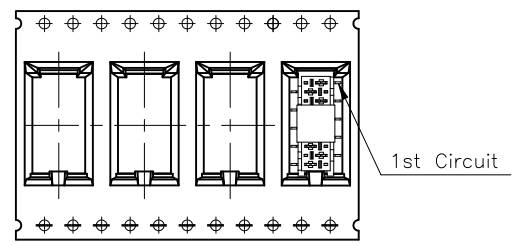
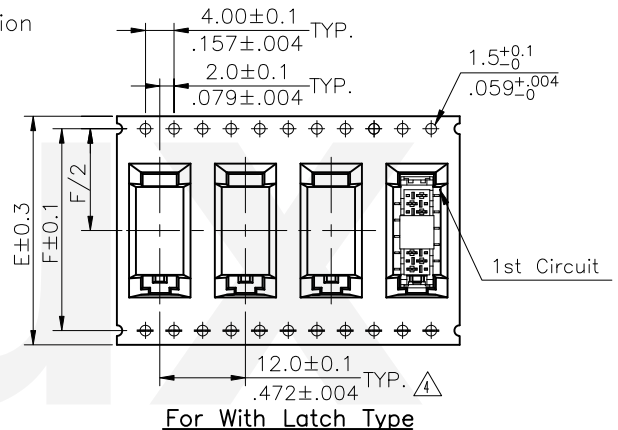
NOTES:

1. 10 sprocket hole pitch cumulative tolerance ± 0.20 mm.
2. Carrier camber not to exceed 1 mm in 100 mm.
3. Material :Transparent Anti-static Polysyrene.
4. All dimensions meet EIA-481-3 requirements.
5. Thickness : 0.40 ± 0.05 mm.
6. Packing length per 22" Reel : 30.6 Meters.
7. Component load per 13" Reel : 800 pcs.

P/N:CA32**M13*0		P/N:CA32**M13*L		Dimension			Packing (Reel/Caton)
Circuits		E	F	W1	W2	W3	
4~8	4~8	24.0(.945)	-	24.5(.965)	30.5(1.201)	24.5(.965)	9
10~14	10	32.0(1.260)	28.40(1.118)	32.5(1.280)	38.5(1.516)	32.5(1.280)	7
16~22	12~20	44.0(1.732)	40.40(1.596)	44.5(1.752)	50.5(1.988)	44.5(1.752)	5
24~26	22~26	56.0(2.205)	52.40(2.063)	56.5(2.224)	62.5(2.461)	56.5(2.224)	4



WIDTH : 24 mm Carrier



WIDTH : 32.44.56 mm Carrier

RoHS Compliant

8	Kenny	10/8-20'	ECRT120057/ECNT120268		DATE	UNIT: mm / inch	TITLE: 1.27mm Pitch Female Top entry SMT Type Connector	 瀚荃股份有限公司 CviLux Corporation	
7	Sun	11/21-16'	ECRB116078/ECNT116286		DRAWN BY: Sun	11/30-20'			TOLERANCE UNLESS OTHERWISE SPECIFIED
6	Sun	3/11-16'	ECRT116009/ECNT116035		ENGINEER: Sun	11/30-20'	.X ± .X' ± '1'		
5	Sun	5/04-12'	ECN12080-0/ECR12003-1		CHECKED BY: Eisley	12/07-20'	.XX ± .X' ±		
SYM	NAME	DATE	REVISIONS		APPROVED BY: Eisley	12/07-20'	.XXX ± .XX' ±		MATERIAL:
								FINISH:	
								DRAWING NO. CA3203SI	PART NO. CA32**M13**
								SCALE	SHEET 2 OF 2