

LAN7500i Reference Design

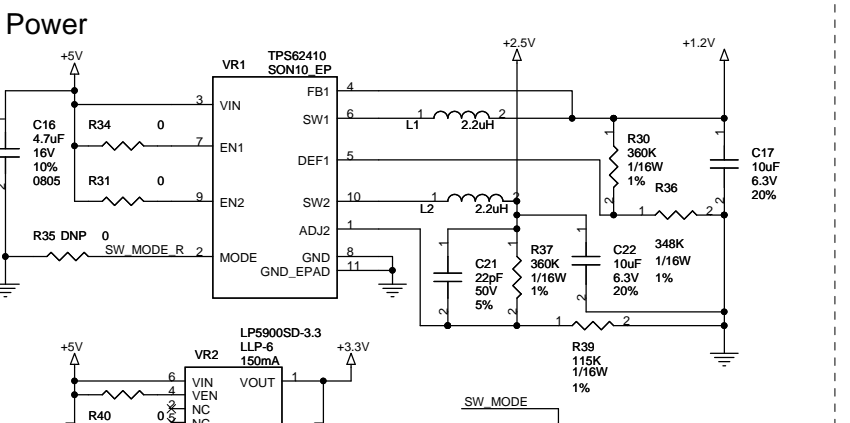
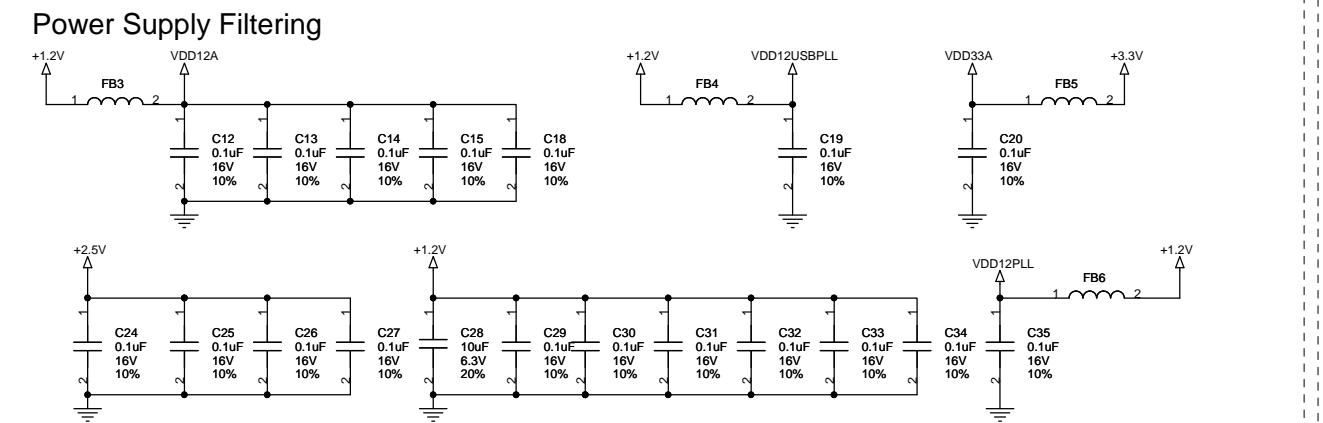
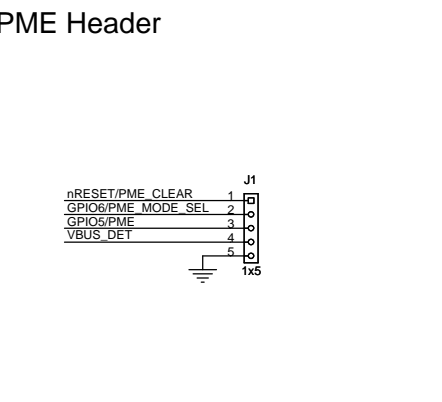
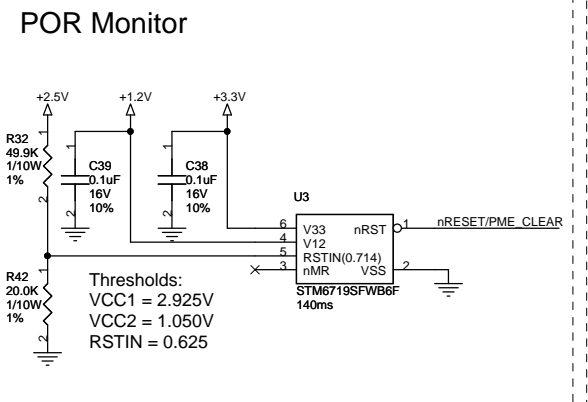
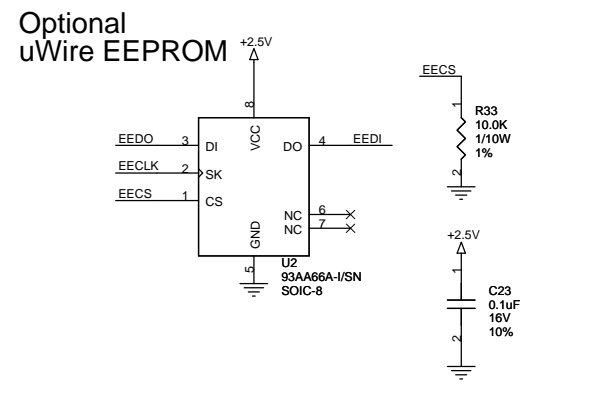
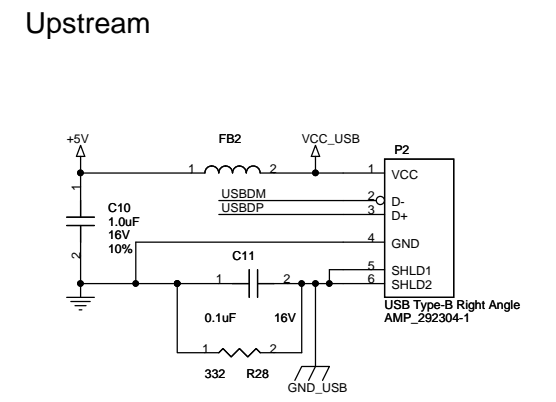
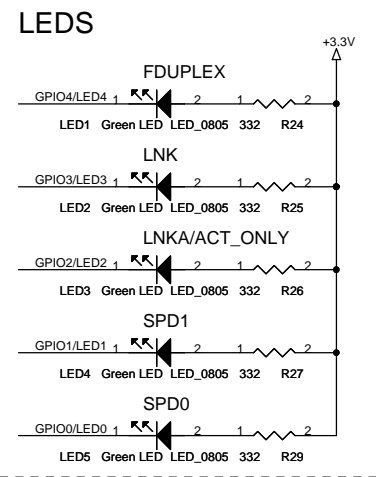
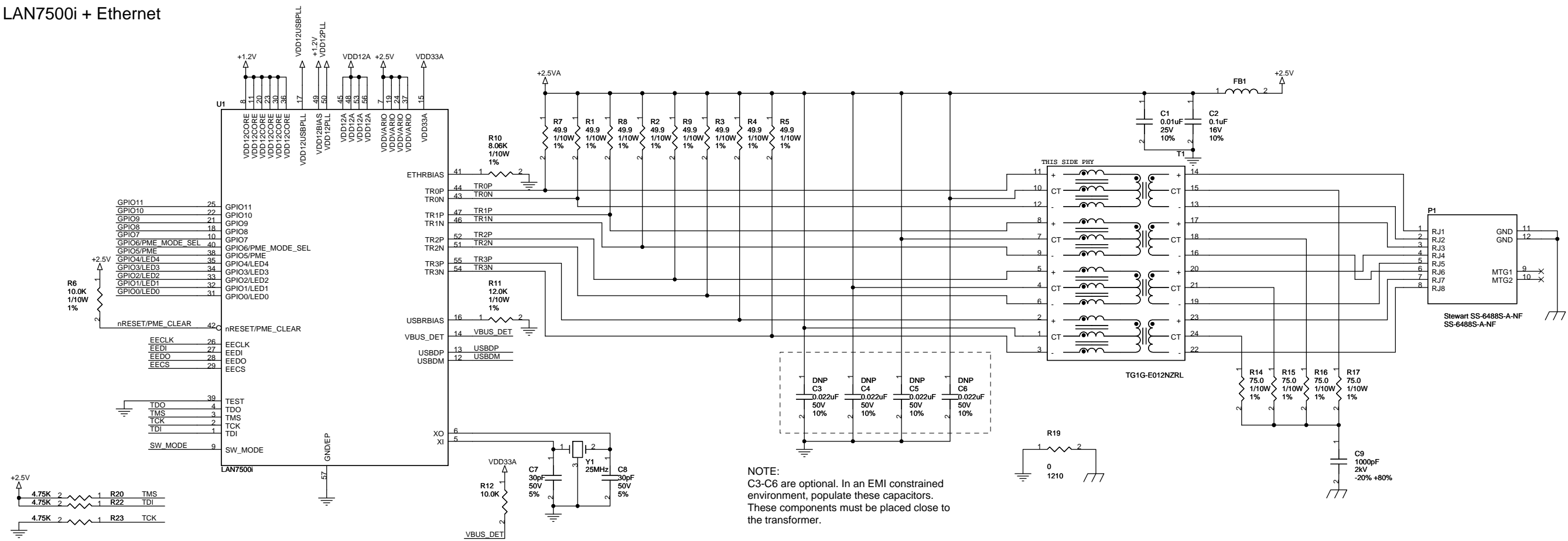
Schematic Revision 0.82

Circuit Diagrams utilizing SMSC Products Are Included As A Means Of Illustrating Typical Semiconductor Applications: Consequently Complete Information Sufficient For Construction Purposes Is Not Necessarily Given. The Information Has Been Carefully Checked And Is Believed To Be Entirely Reliable. However, No Responsibility Is Assumed For Inaccuracies. Furthermore, Such Information Does Not Convey To The Purchaser Of The Semiconductor Devices Described Any License Under The Patent Rights Of SMSC Or Others. SMSC Reserves The Right To Make Changes At Any Time In Order To Improve Design And Supply The Best Product Possible.

ITEM	Page
Title Page	1
LAN7500i	2

			
Title Title Page			
Size C	Engineer R. W.	Assembly No.	Rev 0.82
Date: Friday, August 05, 2011		Sheet 1 of 2	

LAN7500i + Ethernet



SMSC
SUCCESS BY DESIGN

Title: LAN7500i

Size: C	Engineer: R. W.	Assembly No.:	Rev: 0.82
Date: Friday, August 05, 2011	Sheet: 2 of 2		