

## DRV832x 6 to 60-V Three-Phase Smart Gate Driver

### 1 Features

- Triple Half-Bridge Gate Driver
  - Drives 3 High-Side and 3 Low-Side N-Channel MOSFETs (NMOS)
- Smart Gate Drive Architecture
  - Adjustable Slew Rate Control
  - 10-mA to 1-A Peak Source Current
  - 20-mA to 2-A Peak Sink Current
- Integrated Gate Driver Power Supplies
  - Supports 100% PWM Duty Cycle
  - High-Side Charge Pump
  - Low-Side Linear Regulator
- 6 to 60-V Operating Voltage Range
- Optional Integrated Buck Regulator
  - [LMR16006X SIMPLE SWITCHER®](#)
  - 4 to 60-V Operating Voltage Range
  - 0.8 to 60-V, 600-mA Output Capability
- Optional Integrated Triple Current Sense Amplifiers (CSAs)
  - Adjustable Gain (5, 10, 20, 40 V/V)
  - Bidirectional or Unidirectional Support
- SPI and Hardware Interface Available
- 6x, 3x, 1x, and Independent PWM Modes
- Supports 1.8-V, 3.3-V, and 5-V Logic Inputs
- Low-Power Sleep Mode (12  $\mu$ A)
- Linear Voltage Regulator, 3.3 V, 30 mA
- Compact QFN Packages and Footprints
- Efficient System Design With [Power Blocks](#)
- Integrated Protection Features
  - VM Undervoltage Lockout (UVLO)
  - Charge Pump Undervoltage (CPUV)
  - MOSFET Overcurrent Protection (OCP)
  - Gate Driver Fault (GDF)
  - Thermal Warning and Shutdown (OTW/OTSD)
  - Fault Condition Indicator (nFAULT)

### 2 Applications

- Brushless-DC (BLDC) Motor Modules and PMSM
- Fans, Pumps, and Servo Drives
- E-Bikes, E-Scooters, and E-Mobility
- Cordless Garden and Power Tools, Lawnmowers
- Cordless Vacuum Cleaners
- Drones, Robotics, and RC Toys
- Industrial and Logistics Robots

### 3 Description

The DRV832x family of devices is an integrated gate driver for three-phase applications. The devices provide three half-bridge gate drivers, each capable of driving high-side and low-side N-channel power MOSFETs. The DRV832x generates the correct gate drive voltages using an integrated charge pump for the high-side MOSFETs and a linear regulator for the low-side MOSFETs. The Smart Gate Drive architecture supports peak gate drive currents up to 1-A source and 2-A. The DRV832x can operate from a single power supply and supports a wide input supply range of 6 to 60 V for the gate driver and 4 to 60 V for the optional buck regulator.

The 6x, 3x, 1x, and independent input PWM modes allow for simple interfacing to controller circuits. The configuration settings for the gate driver and device are highly configurable through the SPI or hardware (H/W) interface. The DRV8323 and DRV8323R devices integrate three low-side current sense amplifiers that allow bidirectional current sensing on all three phases of the drive stage. The DRV8320R and DRV8323R devices integrate a 600-mA buck regulator.

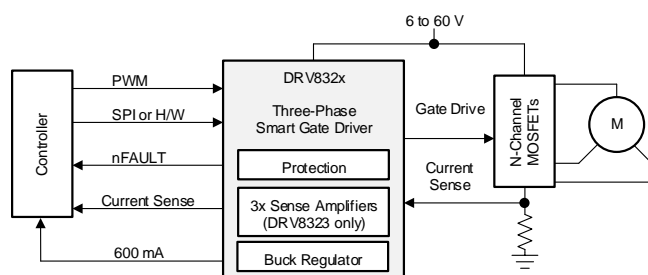
A low-power sleep mode is provided to achieve low quiescent current draw by shutting down most of the internal circuitry. Internal protection functions are provided for undervoltage lockout, charge pump fault, MOSFET overcurrent, MOSFET short circuit, gate driver fault, and overtemperature. Fault conditions are indicated on the nFAULT pin with details through the device registers for SPI device variants.

#### Device Information<sup>(1)</sup>

| PART NUMBER | PACKAGE   | BODY SIZE (NOM)   |
|-------------|-----------|-------------------|
| DRV8320     | WQFN (32) | 5.00 mm x 5.00 mm |
| DRV8320R    | VQFN (40) | 6.00 mm x 6.00 mm |
| DRV8323     | WQFN (40) | 6.00 mm x 6.00 mm |
| DRV8323R    | VQFN (48) | 7.00 mm x 7.00 mm |

(1) For all available packages, see the orderable addendum at the end of the data sheet.

#### Simplified Schematic



Copyright © 2017, Texas Instruments Incorporated



## Table of Contents

|  |    |  |    |
|--|----|--|----|
| <b>1 Features</b> .....                        | 1  | 8.6 Register Maps .....  | 53 |
| <b>2 Applications</b> .....                    | 1  | <b>9 Application and Implementation</b> .....                    | 61 |
| <b>3 Description</b> .....                     | 1  | 9.1 Application Information .....                                | 61 |
| <b>4 Revision History</b> .....                | 2  | 9.2 Typical Application .....                                    | 61 |
| <b>5 Device Comparison Table</b> .....         | 4  | <b>10 Power Supply Recommendations</b> .....                     | 70 |
| <b>6 Pin Configuration and Functions</b> ..... | 4  | 10.1 Bulk Capacitance Sizing .....                               | 70 |
| <b>7 Specifications</b> .....                  | 11 | <b>11 Layout</b> .....   | 71 |
| 7.1 Absolute Maximum Ratings .....             | 11 | 11.1 Layout Guidelines .....                                     | 71 |
| 7.2 ESD Ratings .....                          | 11 | 11.2 Layout Example .....  | 72 |
| 7.3 Recommended Operating Conditions .....     | 12 | <b>12 Device and Documentation Support</b> .....                 | 73 |
| 7.4 Thermal Information .....                  | 12 | 12.1 Device Support .....  | 73 |
| 7.5 Electrical Characteristics .....           | 13 | 12.2 Documentation Support .....                                 | 73 |
| 7.6 SPI Timing Requirements .....              | 18 | 12.3 Related Links .....   | 73 |
| 7.7 Typical Characteristics .....              | 19 | 12.4 Receiving Notification of Documentation Updates .....       | 74 |
| <b>8 Detailed Description</b> .....            | 21 | 12.5 Community Resources .....                                   | 74 |
| 8.1 Overview .....                             | 21 | 12.6 Trademarks .....  | 74 |
| 8.2 Functional Block Diagram .....             | 22 | 12.7 Electrostatic Discharge Caution .....                       | 74 |
| 8.3 Feature Description .....                  | 30 | 12.8 Glossary .....  | 74 |
| 8.4 Device Functional Modes .....              | 50 | <b>13 Mechanical, Packaging, and Orderable Information</b> ..... | 74 |
| 8.5 Programming .....                          | 51 |  |    |

## 4 Revision History

NOTE: Page numbers for previous revisions may differ from page numbers in the current version.

| Changes from Revision B (December 2017) to Revision C   | Page |
|---|------|
| • Changed the <i>Applications</i> .....   | 1    |
| • Updated input labels for the INLx and INHx signals in the <i>Layout Example</i> images .....  | 72   |
| • Added the DRV835x device options to the image in the <i>Device Nomenclature</i> section ..... | 73   |

| Changes from Revision A (April 2017) to Revision B   | Page |
|--|------|
| • Changed the low-power sleep mode supply current from the maximum value (20 $\mu$ A) to the typical value (12 $\mu$ A) in the <i>Features</i> .....                             | 1    |
| • Changed the <i>Applications</i> .....  | 1    |
| • Changed the GAIN value from 45 k $\Omega$ to 47 k $\Omega$ in the test condition of the amplifier gain for the H/W device in the <i>Electrical Characteristics</i> table ..... | 15   |
| • Deleted $t_{EN\_nSCS}$ from the <i>SPI Slave Mode Timing Diagram</i> .....   | 18   |
| • Added a note to the <i>Synchronous 1x PWM Mode</i> to define <i>!PWM</i> .....   | 31   |
| • Updated the <i>Auto Offset Calibration</i> section .....   | 44   |
| • Updated the <i>V<sub>DS</sub> Latched Shutdown</i> and <i>V<sub>DS</sub> Automatic Retry</i> sections .....  | 48   |
| • Updated the <i>Sleep Mode</i> section .....  | 50   |
| • Changed the address listed in the title for the <i>Gate Drive LS Register</i> section to the correct register address, 0x04 .....  | 58   |
| • Changed the maximum $Q_g$ value for both trapezoidal and sinusoidal commutation the $V_{VM} = 8$ V example of the <i>Detailed Design Procedure</i> .....                       | 63   |
| • Changed $I_{DRIVEP}$ and $I_{DRIVEN}$ equations in the <i>IDRIVE Configuration</i> section .....   | 64   |

---

| Changes from Original (February 2017) to Revision A  | Page |
|--|------|
| • Changed the test condition for the $I_{BIAS}$ parameter in the <i>Electrical Characteristics</i> table ..... | 16   |
| • Changed the GHx values in the <i>3x PWM Mode Truth Table</i> .....   | 31   |
| • Changed the calibration description and added auto calibration feature description .....                     | 44   |

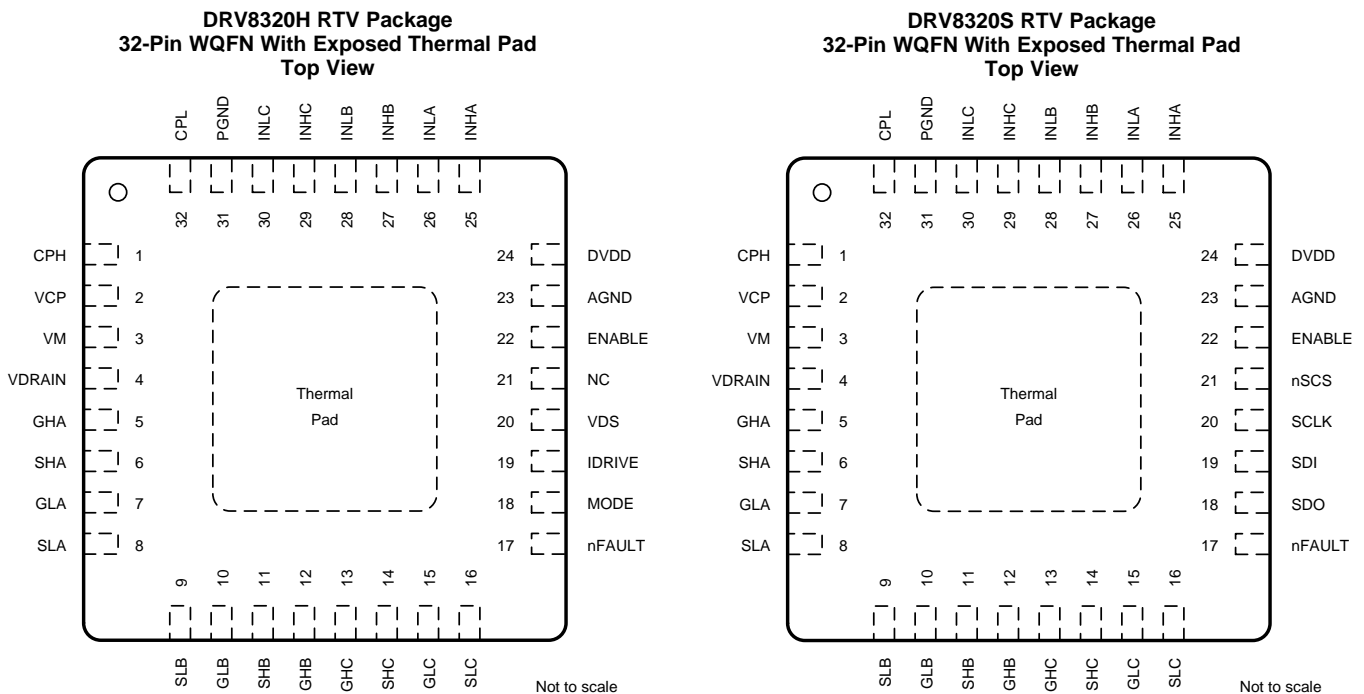
---

## 5 Device Comparison Table

| DEVICE   | VARIANT <sup>(1)</sup> | CURRENT SENSE AMPLIFIERS | BUCK REGULATOR <sup>(1)</sup> | INTERFACE <sup>(1)</sup> |
|----------|------------------------|--------------------------|-------------------------------|--------------------------|
| DRV8320  | DRV8320H               | 0                        | None                          | Hardware                 |
|          | DRV8320S               |                          |                               | SPI                      |
| DRV8320R | DRV8320RH              |                          | 600 mA                        | Hardware                 |
|          | DRV8320RS              |                          |                               | SPI                      |
| DRV8323  | DRV8323H               | 3                        | None                          | Hardware                 |
|          | DRV8323S               |                          |                               | SPI                      |
| DRV8323R | DRV8323RH              |                          | 600 mA                        | Hardware                 |
|          | DRV8323RS              |                          |                               | SPI                      |

(1) For more information on the device name and device options, see the [Device Nomenclature](#) section. For additional details, see the [Architecture for Brushless-DC Gate Drive Systems](#) application report.

## 6 Pin Configuration and Functions



### Pin Functions—32-Pin DRV8320 Devices

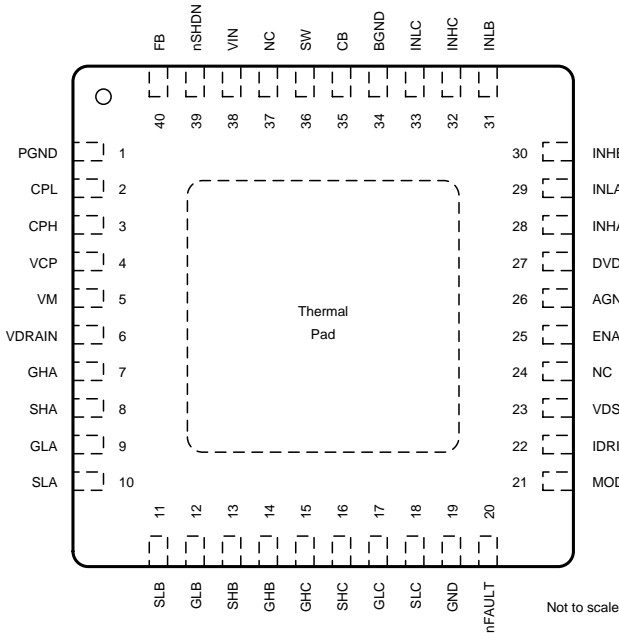
| NAME   | PIN NO.  |          | TYPE <sup>(1)</sup> | DESCRIPTION  |
|--------|----------|----------|---------------------|--|
|        | DRV8320H | DRV8320S |                     |  |
| AGND   | 23       | 23       | PWR                 | Device analog ground. Connect to system ground.  |
| CPH    | 1        | 1        | PWR                 | Charge pump switching node. Connect a X5R or X7R, 47-nF, VM-rated ceramic capacitor between the CPH and CPL pins.  |
| CPL    | 32       | 32       | PWR                 | Charge pump switching node. Connect a X5R or X7R, 47-nF, VM-rated ceramic capacitor between the CPH and CPL pins.  |
| DVDD   | 24       | 24       | PWR                 | 3.3-V internal regulator output. Connect a X5R or X7R, 1-μF, 6.3-V ceramic capacitor between the DVDD and AGND pins. This regulator can source up to 30 mA externally. |
| ENABLE | 22       | 22       | I                   | Gate driver enable. When this pin is logic low the device goes to a low-power sleep mode. An 8 to 40-μs pulse can be used to reset fault conditions.                   |
| GHA    | 5        | 5        | O                   | High-side gate driver output. Connect to the gate of the high-side power MOSFET.   |
| GHB    | 12       | 12       | O                   | High-side gate driver output. Connect to the gate of the high-side power MOSFET.   |
| GHC    | 13       | 13       | O                   | High-side gate driver output. Connect to the gate of the high-side power MOSFET.   |

(1) PWR = power, I = input, O = output, NC = no connection, OD = open-drain output

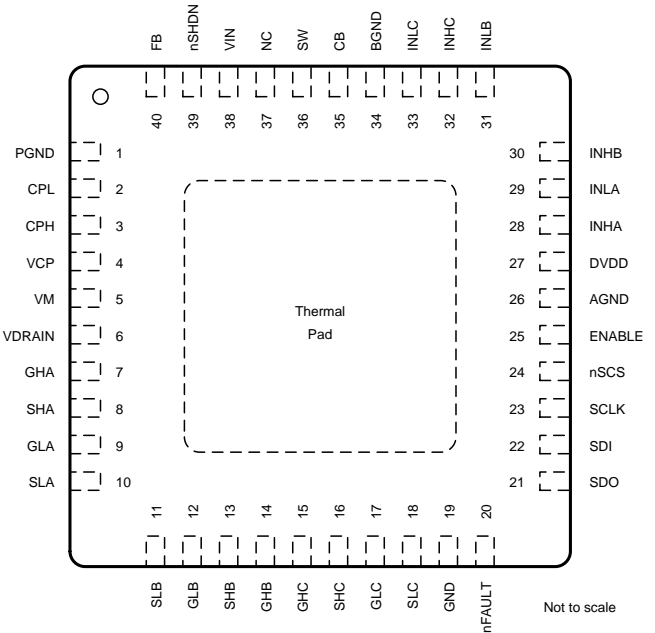
**Pin Functions—32-Pin DRV8320 Devices (continued)**

| NAME        | PIN      |          | TYPE <sup>(1)</sup> | DESCRIPTION   |
|-------------|----------|----------|---------------------|---|
|             | NO.      |          |                     |   |
|             | DRV8320H | DRV8320S |                     |   |
| GLA         | 7        | 7        | O                   | Low-side gate driver output. Connect to the gate of the low-side power MOSFET.  |
| GLB         | 10       | 10       | O                   | Low-side gate driver output. Connect to the gate of the low-side power MOSFET.  |
| GLC         | 15       | 15       | O                   | Low-side gate driver output. Connect to the gate of the low-side power MOSFET.  |
| IDRIVE      | 19       | —        | I                   | Gate drive output current setting. This pin is a 7 level input pin set by an external resistor.   |
| INHA        | 25       | 25       | I                   | High-side gate driver control input. This pin controls the output of the high-side gate driver.   |
| INHB        | 27       | 27       | I                   | High-side gate driver control input. This pin controls the output of the high-side gate driver.   |
| INHC        | 29       | 29       | I                   | High-side gate driver control input. This pin controls the output of the high-side gate driver.   |
| INLA        | 26       | 26       | I                   | Low-side gate driver control input. This pin controls the output of the low-side gate driver.   |
| INLB        | 28       | 28       | I                   | Low-side gate driver control input. This pin controls the output of the low-side gate driver.   |
| INLC        | 30       | 30       | I                   | Low-side gate driver control input. This pin controls the output of the low-side gate driver.   |
| MODE        | 18       | —        | I                   | PWM input mode setting. This pin is a 4 level input pin set by an external resistor.  |
| NC          | 21       | —        | NC                  | No internal connection. This pin can be left floating or connected to system ground.  |
| nFAULT      | 17       | 17       | OD                  | Fault indicator output. This pin is pulled logic low during a fault condition and requires an external pullup resistor.   |
| nSCS        | —        | 21       | I                   | Serial chip select. A logic low on this pin enables serial interface communication.   |
| PGND        | 31       | 31       | PWR                 | Device power ground. Connect to system ground.  |
| SCLK        | —        | 20       | I                   | Serial clock input. Serial data is shifted out and captured on the corresponding rising and falling edge on this pin.   |
| SDI         | —        | 19       | I                   | Serial data input. Data is captured on the falling edge of the SCLK pin.  |
| SDO         | —        | 18       | OD                  | Serial data output. Data is shifted out on the rising edge of the SCLK pin. This pin requires an external pullup resistor.  |
| SHA         | 6        | 6        | I                   | High-side source sense input. Connect to the high-side power MOSFET source.   |
| SHB         | 11       | 11       | I                   | High-side source sense input. Connect to the high-side power MOSFET source.   |
| SHC         | 14       | 14       | I                   | High-side source sense input. Connect to the high-side power MOSFET source.   |
| SLA         | 8        | 8        | I                   | Low-side source sense input. Connect to the low-side power MOSFET source.   |
| SLB         | 9        | 9        | I                   | Low-side source sense input. Connect to the low-side power MOSFET source.   |
| SLC         | 16       | 16       | I                   | Low-side source sense input. Connect to the low-side power MOSFET source.   |
| VCP         | 2        | 2        | PWR                 | Charge pump output. Connect a X5R or X7R, 1- $\mu$ F, 16-V ceramic capacitor between the VCP and VM pins.   |
| VDRAIN      | 4        | 4        | I                   | High-side MOSFET drain sense input. Connect to the common point of the MOSFET drains.   |
| VDS         | 20       | —        | I                   | VDS monitor trip point setting. This pin is a 7 level input pin set by an external resistor.  |
| VM          | 3        | 3        | PWR                 | Gate driver power supply input. Connect to the bridge power supply. Connect a X5R or X7R, 0.1- $\mu$ F, VM-rated ceramic and greater than or equal to 10- $\mu$ F local capacitance between the VM and PGND pins. |
| Thermal Pad |          |          | PWR                 | Must be connected to ground   |

**DRV8320RH RHA Package**  
40-Pin VQFN With Exposed Thermal Pad  
Top View



**DRV8320RS RHA Package**  
40-Pin VQFN With Exposed Thermal Pad  
Top View



**Pin Functions—40-Pin DRV8320R Devices**

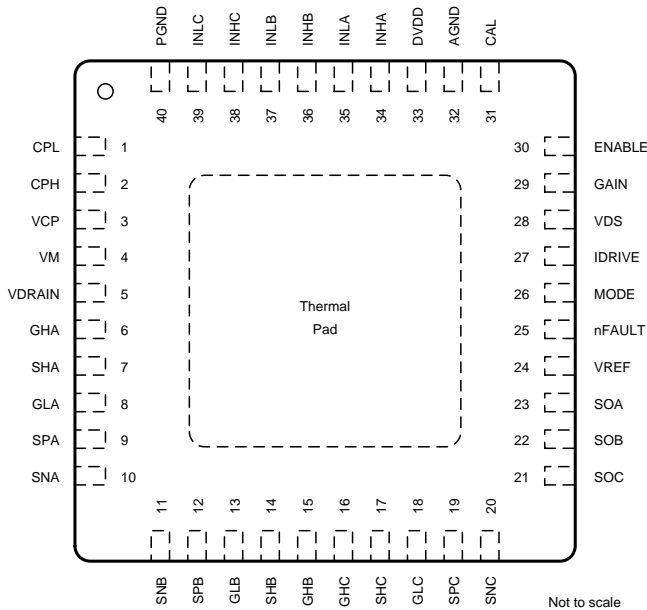
| NAME   | PIN NO.   |           | TYPE <sup>(1)</sup> | DESCRIPTION  |
|--------|-----------|-----------|---------------------|--|
|        | DRV8320RH | DRV8320RS |                     |  |
| AGND   | 26        | 26        | PWR                 | Device analog ground. Connect to system ground.  |
| BGND   | 34        | 34        | PWR                 | Buck regulator ground. Connect to system ground.   |
| CB     | 35        | 35        | PWR                 | Buck regulator bootstrap input. Connect a X5R or X7R, 0.1-µF, 16-V, capacitor between the CB and SW pins.  |
| CPH    | 3         | 3         | PWR                 | Charge pump switching node. Connect a X5R or X7R, 47-nF, VM-rated ceramic capacitor between the CPH and CPL pins.  |
| CPL    | 2         | 2         | PWR                 | Charge pump switching node. Connect a X5R or X7R, 47-nF, VM-rated ceramic capacitor between the CPH and CPL pins.  |
| DVDD   | 27        | 27        | PWR                 | 3.3-V internal regulator output. Connect a X5R or X7R, 1-µF, 6.3-V ceramic capacitor between the DVDD and AGND pins. This regulator can source up to 30 mA externally. |
| ENABLE | 25        | 25        | I                   | Gate driver enable. When this pin is logic low the device goes to a low-power sleep mode. An 8 to 40-µs low pulse can be used to reset fault conditions.               |
| FB     | 40        | 40        | I                   | Buck feedback input. A resistor divider from the buck post inductor output to this pin sets the buck output voltage.   |
| GHA    | 7         | 7         | O                   | High-side gate driver output. Connect to the gate of the high-side power MOSFET.   |
| GHB    | 14        | 14        | O                   | High-side gate driver output. Connect to the gate of the high-side power MOSFET.   |
| GHC    | 15        | 15        | O                   | High-side gate driver output. Connect to the gate of the high-side power MOSFET.   |
| GLA    | 9         | 9         | O                   | Low-side gate driver output. Connect to the gate of the low-side power MOSFET.   |
| GLB    | 12        | 12        | O                   | Low-side gate driver output. Connect to the gate of the low-side power MOSFET.   |
| GLC    | 17        | 17        | O                   | Low-side gate driver output. Connect to the gate of the low-side power MOSFET.   |
| GND    | 19        | 19        | PWR                 | Device ground. Connect to system ground.   |
| IDRIVE | 22        | —         | I                   | Gate drive output current setting. This pin is a 7 level input pin set by an external resistor.  |
| INHA   | 28        | 28        | I                   | High-side gate driver control input. This pin controls the output of the high-side gate driver.  |
| INHB   | 30        | 30        | I                   | High-side gate driver control input. This pin controls the output of the high-side gate driver.  |
| INHC   | 32        | 32        | I                   | High-side gate driver control input. This pin controls the output of the high-side gate driver.  |
| INLA   | 29        | 29        | I                   | Low-side gate driver control input. This pin controls the output of the low-side gate driver.  |
| INLB   | 31        | 31        | I                   | Low-side gate driver control input. This pin controls the output of the low-side gate driver.  |
| INLC   | 33        | 33        | I                   | Low-side gate driver control input. This pin controls the output of the low-side gate driver.  |
| MODE   | 21        | —         | I                   | PWM input mode setting. This pin is a 4 level input pin set by an external resistor.   |
| NC     | 24        | —         | NC                  | No internal connection. This pin can be left floating or connected to system ground.   |
| NC     | 37        | 37        | NC                  | No internal connection. This pin can be left floating or connected to system ground.   |
| nFAULT | 20        | 20        | OD                  | Fault indicator output. This pin is pulled logic low during a fault condition and requires an external pullup resistor.  |

(1) PWR = power, I = input, O = output, NC = no connection, OD = open-drain output

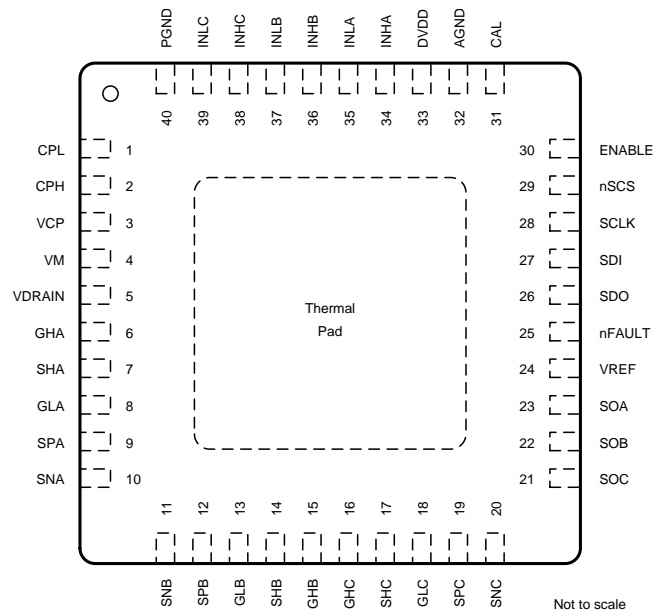
**Pin Functions—40-Pin DRV8320R Devices (continued)**

| NAME        | PIN NO.   |           | TYPE <sup>(1)</sup> | DESCRIPTION  |
|-------------|-----------|-----------|---------------------|--|
|             | DRV8320RH | DRV8320RS |                     |  |
| nSCS        | —         | 24        | I                   | Serial chip select. A logic low on this pin enables serial interface communication.  |
| nSHDN       | 39        | 39        | I                   | Buck shutdown input. Enable and disable input (high voltage tolerant). Internal pullup current source. Pull lower than 1.25 V to disable. Float to enable. Establish input undervoltage lockout with two resistor divider. |
| PGND        | 1         | 1         | PWR                 | Device power ground. Connect to system ground.   |
| SCLK        | —         | 23        | I                   | Serial clock input. Serial data is shifted out and captured on the corresponding rising and falling edge on this pin.  |
| SDI         | —         | 22        | I                   | Serial data input. Data is captured on the falling edge of the SCLK pin.   |
| SDO         | —         | 21        | OD                  | Serial data output. Data is shifted out on the rising edge of the SCLK pin. This pin requires an external pullup resistor.   |
| SHA         | 8         | 8         | I                   | High-side source sense input. Connect to the high-side power MOSFET source.  |
| SHB         | 13        | 13        | I                   | High-side source sense input. Connect to the high-side power MOSFET source.  |
| SHC         | 16        | 16        | I                   | High-side source sense input. Connect to the high-side power MOSFET source.  |
| SLA         | 10        | 10        | I                   | Low-side source sense input. Connect to the low-side power MOSFET source.  |
| SLB         | 11        | 11        | I                   | Low-side source sense input. Connect to the low-side power MOSFET source.  |
| SLC         | 18        | 18        | I                   | Low-side source sense input. Connect to the low-side power MOSFET source.  |
| SW          | 36        | 36        | O                   | Buck switch node. Connect this pin to an inductor, diode, and the CB bootstrap capacitor.  |
| VCP         | 4         | 4         | PWR                 | Charge pump output. Connect a X5R or X7R, 1-µF, 16-V ceramic capacitor between the VCP and VM pins.  |
| VDRAIN      | 6         | 6         | I                   | High-side MOSFET drain sense input. Connect to the common point of the MOSFET drains.  |
| VDS         | 23        | —         | I                   | VDS monitor trip point setting. This pin is a 7 level input pin set by an external resistor.   |
| VIN         | 38        | 38        | PWR                 | Buck regulator power supply input. Place an X5R or X7R, VM-rated ceramic capacitor between the VIN and BGND pins.  |
| VM          | 5         | 5         | PWR                 | Gate driver power supply input. Connect to the bridge power supply. Connect a X5R or X7R, 0.1-µF, VM-rated ceramic and greater then or equal to 10-µF local capacitance between the VM and PGND pins.                      |
| Thermal Pad |           |           | PWR                 | Must be connected to ground  |

**DRV8323H RTA Package  
40-Pin WQFN With Exposed Thermal Pad  
Top View**



**DRV8323S RTA Package  
40-Pin WQFN With Exposed Thermal Pad  
Top View**



**Pin Functions—40-Pin DRV8323 Devices**

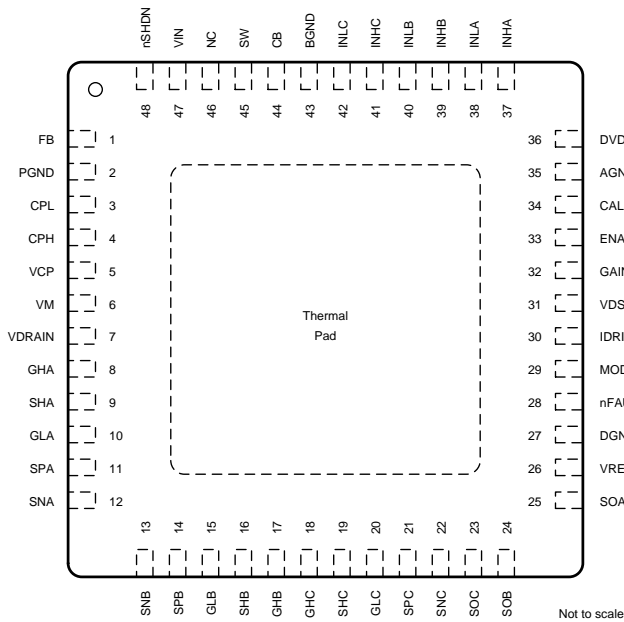
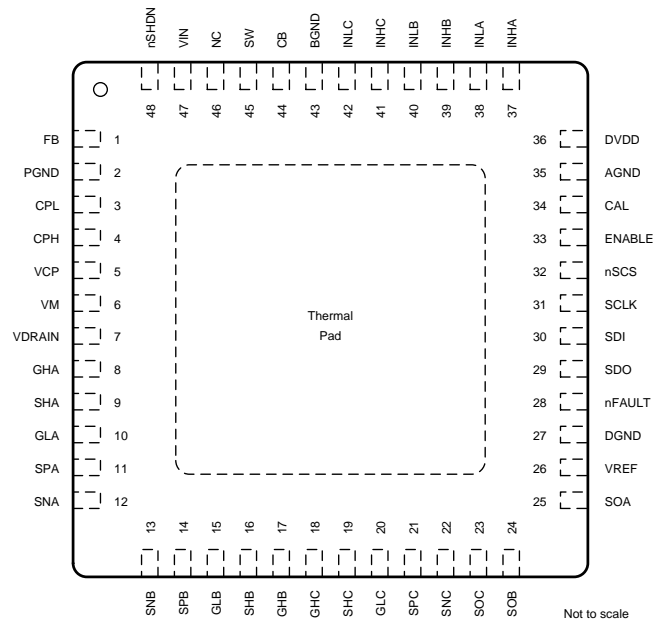
| NAME | PIN NO.  |          | TYPE <sup>(1)</sup> | DESCRIPTION   |
|------|----------|----------|---------------------|---|
|      | DRV8323H | DRV8323S |                     |   |
| AGND | 32       | 32       | PWR                 | Device analog ground. Connect to system ground.   |
| CAL  | 31       | 31       | I                   | Amplifier calibration input. Set logic high to internally short amplifier inputs and perform auto offset calibration. |
| CPH  | 2        | 2        | PWR                 | Charge pump switching node. Connect a X5R or X7R, 47-nF, VM-rated ceramic capacitor between the CPH and CPL pins.     |

(1) PWR = power, I = input, O = output, NC = no connection, OD = open-drain output

Pin Functions—40-Pin DRV8323 Devices (continued)

| NAME        | PIN      |          | TYPE <sup>(1)</sup> | DESCRIPTION   |
|-------------|----------|----------|---------------------|---|
|             | NO.      |          |                     |   |
|             | DRV8323H | DRV8323S |                     |   |
| CPL         | 1        | 1        | PWR                 | Charge pump switching node. Connect a X5R or X7R, 47-nF, VM-rated ceramic capacitor between the CPH and CPL pins.   |
| DVDD        | 33       | 33       | PWR                 | R 3.3-V internal regulator output. Connect a X5R or X7R, 1- $\mu$ F, 6.3-V ceramic capacitor between the DVDD and AGND pins. This regulator can source up to 30 mA externally.                                    |
| ENABLE      | 30       | 30       | I                   | Gate driver enable. When this pin is logic low the device goes to a low-power sleep mode. An 8 to 40- $\mu$ s low pulse can be used to reset fault conditions.  |
| GAIN        | 29       | —        | I                   | Amplifier gain setting. The pin is a 4 level input pin set by an external resistor.   |
| GHA         | 6        | 6        | O                   | High-side gate driver output. Connect to the gate of the high-side power MOSFET.  |
| GHB         | 15       | 15       | O                   | High-side gate driver output. Connect to the gate of the high-side power MOSFET.  |
| GHC         | 16       | 16       | O                   | High-side gate driver output. Connect to the gate of the high-side power MOSFET.  |
| GLA         | 8        | 8        | O                   | Low-side gate driver output. Connect to the gate of the low-side power MOSFET.  |
| GLB         | 13       | 13       | O                   | Low-side gate driver output. Connect to the gate of the low-side power MOSFET.  |
| GLC         | 18       | 18       | O                   | Low-side gate driver output. Connect to the gate of the low-side power MOSFET.  |
| IDRIVE      | 27       | —        | I                   | Gate drive output current setting. This pin is a 7 level input pin set by an external resistor.   |
| INHA        | 34       | 34       | I                   | High-side gate driver control input. This pin controls the output of the high-side gate driver.   |
| INH B       | 36       | 36       | I                   | High-side gate driver control input. This pin controls the output of the high-side gate driver.   |
| INHC        | 38       | 38       | I                   | High-side gate driver control input. This pin controls the output of the high-side gate driver.   |
| INLA        | 35       | 35       | I                   | Low-side gate driver control input. This pin controls the output of the low-side gate driver.   |
| INLB        | 37       | 37       | I                   | Low-side gate driver control input. This pin controls the output of the low-side gate driver.   |
| INLC        | 39       | 39       | I                   | Low-side gate driver control input. This pin controls the output of the low-side gate driver.   |
| MODE        | 26       | —        | I                   | PWM input mode setting. This pin is a 4 level input pin set by an external resistor.  |
| nFAULT      | 25       | 25       | OD                  | Fault indicator output. This pin is pulled logic low during a fault condition and requires an external pullup resistor.   |
| nSCS        | —        | 29       | I                   | Serial chip select. A logic low on this pin enables serial interface communication.   |
| PGND        | 40       | 40       | PWR                 | Device power ground. Connect to system ground.  |
| SCLK        | —        | 28       | I                   | Serial clock input. Serial data is shifted out and captured on the corresponding rising and falling edge on this pin.   |
| SDI         | —        | 27       | I                   | Serial data input. Data is captured on the falling edge of the SCLK pin.  |
| SDO         | —        | 26       | OD                  | Serial data output. Data is shifted out on the rising edge of the SCLK pin. This pin requires an external pullup resistor.  |
| SHA         | 7        | 7        | I                   | High-side source sense input. Connect to the high-side power MOSFET source.   |
| SHB         | 14       | 14       | I                   | High-side source sense input. Connect to the high-side power MOSFET source.   |
| SHC         | 17       | 17       | I                   | High-side source sense input. Connect to the high-side power MOSFET source.   |
| SNA         | 10       | 10       | I                   | Current sense amplifier input. Connect to the low-side of the current shunt resistor.   |
| SNB         | 11       | 11       | I                   | Current sense amplifier input. Connect to the low-side of the current shunt resistor.   |
| SNC         | 20       | 20       | I                   | Current sense amplifier input. Connect to the low-side of the current shunt resistor.   |
| SOA         | 23       | 23       | O                   | Current sense amplifier output.   |
| SOB         | 22       | 22       | O                   | Current sense amplifier output.   |
| SOC         | 21       | 21       | O                   | Current sense amplifier output.   |
| SPA         | 9        | 9        | I                   | Low-side current shunt amplifier input. Connect to the low-side power MOSFET source and high-side of the current shunt resistor.  |
| SPB         | 12       | 12       | I                   | Low-side current shunt amplifier input. Connect to the low-side power MOSFET source and high-side of the current shunt resistor.  |
| SPC         | 19       | 19       | I                   | Low-side current shunt amplifier input. Connect to the low-side power MOSFET source and high-side of the current shunt resistor.  |
| VCP         | 3        | 3        | PWR                 | Charge pump output. Connect a X5R or X7R, 1- $\mu$ F, 16-V ceramic capacitor between the VCP and VM pins.   |
| VDRAIN      | 5        | 5        | I                   | High-side MOSFET drain sense input. Connect to the common point of the MOSFET drains.   |
| VDS         | 28       | —        | I                   | VDS monitor trip point setting. This pin is a 7 level input pin set by an external resistor.  |
| VM          | 4        | 4        | PWR                 | Gate driver power supply input. Connect to the bridge power supply. Connect a X5R or X7R, 0.1- $\mu$ F, VM-rated ceramic and greater than or equal to 10- $\mu$ F local capacitance between the VM and PGND pins. |
| VREF        | 24       | 24       | PWR                 | Current sense amplifier power supply input and reference. Connect a X5R or X7R, 0.1- $\mu$ F, 6.3-V ceramic capacitor between the VREF and AGND pins.   |
| Thermal Pad |          |          | PWR                 | Must be connected to ground   |



**DRV8323RH RGZ Package  
48-Pin VQFN With Exposed Thermal Pad  
Top View**

**DRV8323RS RGZ Package  
48-Pin VQFN With Exposed Thermal Pad  
Top View**

**Pin Functions—48-Pin DRV8323R Devices**

| NAME   | PIN NO.   |           | TYPE <sup>(1)</sup> | DESCRIPTION  |
|--------|-----------|-----------|---------------------|--|
|        | DRV8323RH | DRV8323RS |                     |  |
| AGND   | 35        | 35        | PWR                 | Device analog ground. Connect to system ground.  |
| BGND   | 43        | 43        | PWR                 | Buck regulator ground. Connect to system ground.   |
| CAL    | 34        | 34        | I                   | Amplifier calibration input. Set logic high to internally short amplifier inputs and perform auto offset calibration.  |
| CB     | 44        | 44        | PWR                 | Buck regulator bootstrap input. Connect a X5R or X7R, 0.1-µF, 16-V, capacitor between the CB and SW pins.  |
| CPH    | 4         | 4         | PWR                 | Charge pump switching node. Connect a X5R or X7R, 47-nF, VM-rated ceramic capacitor between the CPH and CPL pins.  |
| CPL    | 3         | 3         | PWR                 | Charge pump switching node. Connect a X5R or X7R, 47-nF, VM-rated ceramic capacitor between the CPH and CPL pins.  |
| DGND   | 27        | 27        | PWR                 | Device ground. Connect to system ground.   |
| DVDD   | 36        | 36        | PWR                 | 3.3-V internal regulator output. Connect a X5R or X7R, 1-µF, 6.3-V ceramic capacitor between the DVDD and AGND pins. This regulator can source up to 30 mA externally. |
| ENABLE | 33        | 33        | I                   | Gate driver enable. When this pin is logic low the device goes to a low-power sleep mode. An 8 to 40-µs low pulse can be used to reset fault conditions.               |
| FB     | 1         | 1         | I                   | Buck feedback input. A resistor divider from the buck post inductor output to this pin sets the buck output voltage.   |
| GAIN   | 32        | —         | I                   | Amplifier gain setting. The pin is a 4 level input pin set by an external resistor.  |
| GHA    | 8         | 8         | O                   | High-side gate driver output. Connect to the gate of the high-side power MOSFET.   |
| GHB    | 17        | 17        | O                   | High-side gate driver output. Connect to the gate of the high-side power MOSFET.   |
| GHC    | 18        | 18        | O                   | High-side gate driver output. Connect to the gate of the high-side power MOSFET.   |
| GLA    | 10        | 10        | O                   | Low-side gate driver output. Connect to the gate of the low-side power MOSFET.   |
| GLB    | 15        | 15        | O                   | Low-side gate driver output. Connect to the gate of the low-side power MOSFET.   |
| GLC    | 20        | 20        | O                   | Low-side gate driver output. Connect to the gate of the low-side power MOSFET.   |
| IDRIVE | 30        | —         | I                   | Gate drive output current setting. This pin is a 7 level input pin set by an external resistor.  |
| INHA   | 37        | 37        | I                   | High-side gate driver control input. This pin controls the output of the high-side gate driver.  |
| INHB   | 39        | 39        | I                   | High-side gate driver control input. This pin controls the output of the high-side gate driver.  |
| INHC   | 41        | 41        | I                   | High-side gate driver control input. This pin controls the output of the high-side gate driver.  |
| INLA   | 38        | 38        | I                   | Low-side gate driver control input. This pin controls the output of the low-side gate driver.  |
| INLB   | 40        | 40        | I                   | Low-side gate driver control input. This pin controls the output of the low-side gate driver.  |
| INLC   | 42        | 42        | I                   | Low-side gate driver control input. This pin controls the output of the low-side gate driver.  |
| MODE   | 29        | —         | I                   | PWM input mode setting. This pin is a 4 level input pin set by an external resistor.   |
| NC     | 46        | 46        | NC                  | No internal connection. This pin can be left floating or connected to system ground.   |
| nFAULT | 28        | 28        | OD                  | Fault indicator output. This pin is pulled logic low during a fault condition and requires an external pullup resistor.  |

(1) PWR = power, I = input, O = output, NC = no connection, OD = open-drain output

**Pin Functions—48-Pin DRV8323R Devices (continued)**

| NAME        | PIN       |           | TYPE <sup>(1)</sup> | DESCRIPTION  |
|-------------|-----------|-----------|---------------------|--|
|             | NO.       |           |                     |  |
|             | DRV8323RH | DRV8323RS |                     |  |
| nSCS        | —         | 32        | I                   | Serial chip select. A logic low on this pin enables serial interface communication.  |
| nSHDN       | 48        | 48        | I                   | Buck shutdown input. Enable and disable input (high voltage tolerant). Internal pullup current source. Pull lower than 1.25 V to disable. Float to enable. Establish input undervoltage lockout with two resistor divider. |
| PGND        | 2         | 2         | PWR                 | Device power ground. Connect to system ground.   |
| SCLK        | —         | 31        | I                   | Serial clock input. Serial data is shifted out and captured on the corresponding rising and falling edge on this pin.  |
| SDI         | —         | 30        | I                   | Serial data input. Data is captured on the falling edge of the SCLK pin.   |
| SDO         | —         | 29        | OD                  | Serial data output. Data is shifted out on the rising edge of the SCLK pin. This pin requires an external pullup resistor.   |
| SHA         | 9         | 9         | I                   | High-side source sense input. Connect to the high-side power MOSFET source.  |
| SHB         | 16        | 16        | I                   | High-side source sense input. Connect to the high-side power MOSFET source.  |
| SHC         | 19        | 19        | I                   | High-side source sense input. Connect to the high-side power MOSFET source.  |
| SNA         | 12        | 12        | I                   | Current sense amplifier input. Connect to the low-side of the current shunt resistor.  |
| SNB         | 13        | 13        | I                   | Current sense amplifier input. Connect to the low-side of the current shunt resistor.  |
| SNC         | 22        | 22        | I                   | Current sense amplifier input. Connect to the low-side of the current shunt resistor.  |
| SOA         | 25        | 25        | O                   | Current sense amplifier output.  |
| SOB         | 24        | 24        | O                   | Current sense amplifier output.  |
| SOC         | 23        | 23        | O                   | Current sense amplifier output.  |
| SPA         | 11        | 11        | I                   | Low-side current shunt amplifier input. Connect to the low-side power MOSFET source and high-side of the current shunt resistor.   |
| SPB         | 14        | 14        | I                   | Low-side current shunt amplifier input. Connect to the low-side power MOSFET source and high-side of the current shunt resistor.   |
| SPC         | 21        | 21        | I                   | Low-side current shunt amplifier input. Connect to the low-side power MOSFET source and high-side of the current shunt resistor.   |
| SW          | 45        | 45        | O                   | Buck switch node. Connect this pin to an inductor, diode, and the CB bootstrap capacitor.  |
| VCP         | 5         | 5         | PWR                 | Charge pump output. Connect a X5R or X7R, 1- $\mu$ F, 16-V ceramic capacitor between the VCP and VM pins.  |
| VDRAIN      | 7         | 7         | I                   | High-side MOSFET drain sense input. Connect to the common point of the MOSFET drains.  |
| VDS         | 31        | —         | I                   | VDS monitor trip point setting. This pin is a 7 level input pin set by an external resistor.   |
| VIN         | 47        | 47        | PWR                 | Buck regulator power supply input. Place an X5R or X7R, VM-rated ceramic capacitor between the VIN and BGND pins.  |
| VM          | 6         | 6         | PWR                 | Gate driver power supply input. Connect to the bridge power supply. Connect a X5R or X7R, 0.1- $\mu$ F, VM-rated ceramic and greater than or equal to 10- $\mu$ F local capacitance between the VM and PGND pins.          |
| VREF        | 26        | 26        | PWR                 | Current sense amplifier power supply input and reference. Connect a X5R or X7R, 0.1- $\mu$ F, 6.3-V ceramic capacitor between the VREF and AGND pins.  |
| Thermal Pad |           |           | PWR                 | Must be connected to ground  |

## 7 Specifications

### 7.1 Absolute Maximum Ratings

 at  $T_A = -40^\circ\text{C}$  to  $+125^\circ\text{C}$  (unless otherwise noted)<sup>(1)</sup>

|  | MIN                | MAX              | UNIT             |
|--|--------------------|------------------|------------------|
| <b>GATE DRIVER</b>   |                    |                  |                  |
| Power supply pin voltage (VM)  | -0.3               | 65               | V                |
| Voltage differential between ground pins (AGND, BGND, DGND, PGND)                                    | -0.3               | 0.3              | V                |
| MOSFET drain sense pin voltage (VDRAIN)  | -0.3               | 65               | V                |
| Charge pump pin voltage (CPH, VCP)   | -0.3               | $V_{VM} + 13.5$  | V                |
| Charge pump negative-switching pin voltage (CPL)   | -0.3               | $V_{VM}$         | V                |
| Internal logic regulator pin voltage (DVDD)  | -0.3               | 3.8              | V                |
| Digital pin voltage (CAL, ENABLE, GAIN, IDRIVE, INHx, INLx, MODE, nFAULT, nSCS, SCLK, SDI, SDO, VDS) | -0.3               | 5.75             | V                |
| Continuous high-side gate drive pin voltage (GHx)  | -5 <sup>(2)</sup>  | $V_{VCP} + 0.5$  | V                |
| Transient 200-ns high-side gate drive pin voltage (GHx)  | -7                 | $V_{VCP} + 0.5$  | V                |
| High-side gate drive pin voltage with respect to SHx (GHx)   | -0.3               | 13.5             | V                |
| Continuous high-side source sense pin voltage (SHx)  | -5 <sup>(2)</sup>  | $V_{VM} + 5$     | V                |
| Transient 200-ns high-side source sense pin voltage (SHx)  | -7                 | $V_{VM} + 7$     | V                |
| Continuous low-side gate drive pin voltage (GLx)   | -0.5               | 13.5             | V                |
| Gate drive pin source current (GHx, GLx)   | Internally limited |                  | A                |
| Gate drive pin sink current (GHx, GLx)   | Internally limited |                  | A                |
| Continuous low-side source sense pin voltage (SLx)   | -1                 | 1                | V                |
| Transient 200-ns low-side source sense pin voltage (SLx)   | -3                 | 3                | V                |
| Continuous input pin voltage (SNx, SPx)  | -1                 | 1                | V                |
| Transient 200-ns input pin voltage (SNx, SPx)  | -3                 | 3                | V                |
| Reference input pin voltage (VREF)   | -0.3               | 5.75             | V                |
| output pin voltage (SOx)   | -0.3               | $V_{VREF} + 0.3$ | V                |
| <b>BUCK REGULATOR</b>  |                    |                  |                  |
| Power supply pin voltage (VIN)   | -0.3               | 65               | V                |
| Shutdown control pin voltage (nSHDN)   | -0.3               | $V_{VIN}$        | V                |
| Voltage feedback pin voltage (FB)  | -0.3               | 7                | V                |
| Bootstrap pin voltage with respect to SW (CB)  | -0.3               | 7                | V                |
| Switching node pin voltage (SW)  | -0.3               | $V_{VIN}$        | V                |
| Switching node pin voltage less than 30-ns transients (SW)   | -2                 | $V_{VIN}$        | V                |
| <b>DRV832x</b>   |                    |                  |                  |
| Operating junction temperature, $T_J$  | -40                | 150              | $^\circ\text{C}$ |
| Storage temperature, $T_{stg}$   | -65                | 150              | $^\circ\text{C}$ |

- (1) Stresses beyond those listed under *Absolute Maximum Ratings* may cause permanent damage to the device. These are stress ratings only, which do not imply functional operation of the device at these or any other conditions beyond those indicated under *Recommended Operating Conditions*. Exposure to absolute-maximum-rated conditions for extended periods may affect device reliability.
- (2) Continuous high-side gate pin (GHx) and phase node pin voltage (SHx) should be limited to -2 V minimum for an absolute maximum of 65 V on VM. At 60 V and lower, the full specification of -5 V continuous on GHx and SHx is allowable.

### 7.2 ESD Ratings

|             |                         | VALUE  | UNIT       |
|-------------|-------------------------|--|------------|
| $V_{(ESD)}$ | Electrostatic discharge | Human-body model (HBM), per ANSI/ESDA/JEDEC JS-001 <sup>(1)</sup>              | $\pm 3000$ |
|             |                         | Charged-device model (CDM), per JEDEC specification JESD22-C101 <sup>(2)</sup> | $\pm 1000$ |

- (1) JEDEC document JEP155 states that 500-V HBM allows safe manufacturing with a standard ESD control process. Pins listed as  $\pm 2000$  V may actually have higher performance.
- (2) JEDEC document JEP157 states that 250-V CDM allows safe manufacturing with a standard ESD control process. Pins listed as  $\pm 500$  V may actually have higher performance.

### 7.3 Recommended Operating Conditions

at  $T_A = -40^\circ\text{C}$  to  $+125^\circ\text{C}$  (unless otherwise noted)

|                       |   | MIN | MAX                | UNIT             |
|-----------------------|---|-----|--------------------|------------------|
| <b>GATE DRIVER</b>    |   |     |                    |                  |
| $V_{VM}$              | Power supply voltage (VM)   | 6   | 60                 | V                |
| $V_I$                 | Input voltage (CAL, ENABLE, GAIN, IDRIVE, INHx, INLx, MODE, nSCS, SCLK, SDI, VDS) | 0   | 5.5                | V                |
| $f_{PWM}$             | Applied PWM signal (INHx, INLx)   | 0   | 200 <sup>(1)</sup> | kHz              |
| $I_{GATE\_HS}$        | High-side average gate drive current (GHx)  | 0   | 25 <sup>(1)</sup>  | mA               |
| $I_{GATE\_LS}$        | Low-side average gate drive current (GLx)   | 0   | 25 <sup>(1)</sup>  | mA               |
| $I_{DVDD}$            | External load current (DVDD)  | 0   | 30 <sup>(1)</sup>  | mA               |
| $V_{VREF}$            | Reference voltage input (VREF)  | 3   | 5.5                | V                |
| $I_{SO}$              | output current (SOx)  | 0   | 5                  | mA               |
| $V_{OD}$              | Open drain pullup voltage (nFAULT, SDO)   | 0   | 5.5                | V                |
| $I_{OD}$              | Open drain output current (nFAULT, SDO)   | 0   | 5                  | mA               |
| <b>BUCK REGULATOR</b> |   |     |                    |                  |
| $V_{VIN}$             | Power supply voltage (VIN)  | 4   | 60                 | V                |
| $V_{nSHDN}$           | Shutdown control input voltage (nSHDN)  | 0   | 60                 | V                |
| <b>DRV832x</b>        |   |     |                    |                  |
| $T_A$                 | Operating ambient temperature   | -40 | 125                | $^\circ\text{C}$ |

(1) Power dissipation and thermal limits must be observed

### 7.4 Thermal Information

| THERMAL METRIC <sup>(1)</sup>                                     | DRV832x       |               |               |               | UNIT                      |
|---|---------------|---------------|---------------|---------------|---------------------------|
|   | RTV<br>(WQFN) | RHA<br>(VQFN) | RTA<br>(WQFN) | RGZ<br>(VQFN) |                           |
|   | 32 PINS       | 40 PINS       | 40 PINS       | 48 PINS       |                           |
| $R_{\theta JA}$ Junction-to-ambient thermal resistance            | 32.9          | 30.1          | 32.1          | 26.6          | $^\circ\text{C}/\text{W}$ |
| $R_{\theta JC(top)}$ Junction-to-case (top) thermal resistance    | 15.8          | 16.7          | 11            | 13.9          | $^\circ\text{C}/\text{W}$ |
| $R_{\theta JB}$ Junction-to-board thermal resistance              | 6.8           | 9.9           | 7.1           | 9.2           | $^\circ\text{C}/\text{W}$ |
| $\Psi_{JT}$ Junction-to-top characterization parameter            | 0.2           | 0.5           | 0.1           | 0.3           | $^\circ\text{C}/\text{W}$ |
| $\Psi_{JB}$ Junction-to-board characterization parameter          | 6.8           | 9.9           | 7.1           | 9.1           | $^\circ\text{C}/\text{W}$ |
| $R_{\theta JC(bot)}$ Junction-to-case (bottom) thermal resistance | 2.1           | 2.2           | 2.1           | 2             | $^\circ\text{C}/\text{W}$ |

(1) For more information about traditional and new thermal metrics, see the [Semiconductor and IC Package Thermal Metrics application report](#).

## 7.5 Electrical Characteristics

at  $T_A = -40^\circ\text{C}$  to  $+125^\circ\text{C}$ ,  $V_{VM} = 6$  to  $60$  V (unless otherwise noted)

| PARAMETER  |  | TEST CONDITIONS  | MIN | TYP  | MAX  | UNIT          |
|--|--|--|-----|------|------|---------------|
| <b>POWER SUPPLIES (DVDD, VCP, VM)</b>                                |  |  |     |      |      |               |
| $I_{VM}$   | VM operating supply current              | $V_{VM} = 24$ V, ENABLE = 3.3 V, INHx/INLx = 0 V               |     | 10.5 | 14   | mA            |
| $I_{VMQ}$  | VM sleep mode supply current             | ENABLE = 0 V, $V_{VM} = 24$ V, $T_A = 25^\circ\text{C}$        |     | 12   | 20   | $\mu\text{A}$ |
|  |  | ENABLE = 0 V, $V_{VM} = 24$ V, $T_A = 125^\circ\text{C}^{(1)}$ |     |      | 50   |               |
| $t_{RST}^{(1)}$  | Reset pulse time                         | ENABLE = 0 V period to reset faults                            | 8   |      | 40   | $\mu\text{s}$ |
| $t_{WAKE}$   | Turnon time                              | $V_{VM} > V_{UVLO}$ , ENABLE = 3.3 V to outputs ready          |     |      | 1    | ms            |
| $t_{SLEEP}$  | Turnoff time                             | ENABLE = 0 V to device sleep mode                              |     |      | 1    | ms            |
| $V_{DVDD}$   | DVDD regulator voltage                   | $I_{DVDD} = 0$ to 30 mA  | 3   | 3.3  | 3.6  | V             |
| $V_{VCP}$  | VCP operating voltage with respect to VM | $V_{VM} = 13$ V, $I_{VCP} = 0$ to 25 mA                        | 8.4 | 11   | 12.5 | V             |
|  |  | $V_{VM} = 10$ V, $I_{VCP} = 0$ to 20 mA                        | 6.3 | 9    | 10   |               |
|  |  | $V_{VM} = 8$ V, $I_{VCP} = 0$ to 15 mA                         | 5.4 | 7    | 8    |               |
|  |  | $V_{VM} = 6$ V, $I_{VCP} = 0$ to 10 mA                         | 4   | 5    | 6    |               |
| <b>LOGIC-LEVEL INPUTS (CAL, ENABLE, INHx, INLx, nSCS, SCLK, SDI)</b> |  |  |     |      |      |               |
| $V_{IL}$   | Input logic low voltage                  |  | 0   |      | 0.8  | V             |
| $V_{IH}$   | Input logic high voltage                 |  | 1.5 |      | 5.5  | V             |
| $V_{HYS}$  | Input logic hysteresis                   |  |     | 100  |      | mV            |
| $I_{IL}$   | Input logic low current                  | $V_{VIN} = 0$ V  | -5  |      | 5    | $\mu\text{A}$ |
| $I_{IH}$   | Input logic high current                 | $V_{VIN} = 5$ V  |     | 50   | 70   | $\mu\text{A}$ |
| $R_{PD}$   | Pulldown resistance                      | To AGND  |     | 100  |      | k $\Omega$    |
| $t_{PD}$   | Propagation delay                        | INHx/INLx transition to GHx/GLx transition                     |     | 150  |      | ns            |
| <b>FOUR-LEVEL H/W INPUTS (GAIN, MODE)</b>                            |  |  |     |      |      |               |
| $V_{I1}$   | Input mode 1 voltage                     | Tied to AGND   |     | 0    |      | V             |
| $V_{I2}$   | Input mode 2 voltage                     | 45 k $\Omega \pm 5\%$ to tied AGND                             |     | 1.2  |      | V             |
| $V_{I3}$   | Input mode 3 voltage                     | Hi-Z   |     | 2    |      | V             |
| $V_{I4}$   | Input mode 4 voltage                     | Tied to DVDD   |     | 3.3  |      | V             |
| $R_{PU}$   | Pullup resistance                        | Internal pullup to DVDD  |     | 50   |      | k $\Omega$    |
| $R_{PD}$   | Pulldown resistance                      | Internal pulldown to AGND                                      |     | 84   |      | k $\Omega$    |
| <b>SEVEN-LEVEL H/W INPUTS (IDRIVE, VDS)</b>                          |  |  |     |      |      |               |
| $V_{I1}$   | Input mode 1 voltage                     | Tied to AGND   |     | 0    |      | V             |
| $V_{I2}$   | Input mode 2 voltage                     | 18 k $\Omega \pm 5\%$ tied to AGND                             |     | 0.5  |      | V             |
| $V_{I3}$   | Input mode 3 voltage                     | 75 k $\Omega \pm 5\%$ tied to AGND                             |     | 1.1  |      | V             |
| $V_{I4}$   | Input mode 4 voltage                     | Hi-Z   |     | 1.65 |      | V             |
| $V_{I5}$   | Input mode 5 voltage                     | 75 k $\Omega \pm 5\%$ tied to DVDD                             |     | 2.2  |      | V             |
| $V_{I6}$   | Input mode 6 voltage                     | 18 k $\Omega \pm 5\%$ tied to DVDD                             |     | 2.8  |      | V             |
| $V_{I7}$   | Input mode 7 voltage                     | Tied to DVDD   |     | 3.3  |      | V             |
| $R_{PU}$   | Pullup resistance                        | Internal pullup to DVDD  |     | 73   |      | k $\Omega$    |
| $R_{PD}$   | Pulldown resistance                      | Internal pulldown to AGND                                      |     | 73   |      | k $\Omega$    |
| <b>OPEN DRAIN OUTPUTS (nFAULT, SDO)</b>                              |  |  |     |      |      |               |
| $V_{OL}$   | Output logic low voltage                 | $I_O = 5$ mA   |     |      | 0.1  | V             |
| $I_{OZ}$   | Output high impedance leakage            | $V_O = 5$ V  | -2  |      | 2    | $\mu\text{A}$ |

(1) Specified by design and characterization data

## Electrical Characteristics (continued)

at  $T_A = -40^\circ\text{C}$  to  $+125^\circ\text{C}$ ,  $V_{VM} = 6$  to  $60$  V (unless otherwise noted)

| PARAMETER                      |  | TEST CONDITIONS                          | MIN  | TYP  | MAX  | UNIT |
|--------------------------------|--|--|--|------|------|------|
| <b>GATE DRIVERS (GHx, GLx)</b> |  |  |  |      |      |      |
| $V_{GSH}^{(1)}$                | High-side gate drive voltage with respect to SHx | $V_{VM} = 13$ V, $I_{VCP} = 0$ to 25 mA  | 8.4  | 11   | 12.5 | V    |
|                                |  | $V_{VM} = 10$ V, $I_{VCP} = 0$ to 20 mA  | 6.3  | 9    | 10   |      |
|                                |  | $V_{VM} = 8$ V, $I_{VCP} = 0$ to 15 mA   | 5.4  | 7    | 8    |      |
|                                |  | $V_{VM} = 6$ V, $I_{VCP} = 0$ to 10 mA   | 4  | 5    | 6    |      |
| $V_{GSL}^{(1)}$                | Low-side gate drive voltage with respect to PGND | $V_{VM} = 12$ V, $I_{VGLS} = 0$ to 25 mA | 9  | 11   | 12   | V    |
|                                |  | $V_{VM} = 10$ V, $I_{VGLS} = 0$ to 20 mA | 7.5  | 9    | 10   |      |
|                                |  | $V_{VM} = 8$ V, $I_{VGLS} = 0$ to 15 mA  | 5.5  | 7    | 8    |      |
|                                |  | $V_{VM} = 6$ V, $I_{VGLS} = 0$ to 10 mA  | 4  | 5    | 6    |      |
| $t_{DEAD}$                     | Gate drive dead time                             | SPI Device                               | DEAD_TIME = 00b                              | 50   |      | ns   |
|                                |  |  | DEAD_TIME = 01b                              | 100  |      |      |
|                                |  |  | DEAD_TIME = 10b                              | 200  |      |      |
|                                |  |  | DEAD_TIME = 11b                              | 400  |      |      |
|                                |  | H/W Device                               | 100  |      |      |      |
| $t_{DRIVE}$                    | Peak current gate drive time                     | SPI Device                               | TDRIVE = 00b                                 | 500  |      | ns   |
|                                |  |  | TDRIVE = 01b                                 | 1000 |      |      |
|                                |  |  | TDRIVE = 10b                                 | 2000 |      |      |
|                                |  |  | TDRIVE = 11b                                 | 4000 |      |      |
|                                |  | H/W Device                               | 4000   |      |      |      |
| $I_{DRIVEP}$                   | Peak source gate current                         | SPI Device                               | IDRIVEP_HS or IDRIVEP_LS = 0000b             | 10   |      | mA   |
|                                |  |  | IDRIVEP_HS or IDRIVEP_LS = 0001b             | 30   |      |      |
|                                |  |  | IDRIVEP_HS or IDRIVEP_LS = 0010b             | 60   |      |      |
|                                |  |  | IDRIVEP_HS or IDRIVEP_LS = 0011b             | 80   |      |      |
|                                |  |  | IDRIVEP_HS or IDRIVEP_LS = 0100b             | 120  |      |      |
|                                |  |  | IDRIVEP_HS or IDRIVEP_LS = 0101b             | 140  |      |      |
|                                |  |  | IDRIVEP_HS or IDRIVEP_LS = 0110b             | 170  |      |      |
|                                |  |  | IDRIVEP_HS or IDRIVEP_LS = 0111b             | 190  |      |      |
|                                |  |  | IDRIVEP_HS or IDRIVEP_LS = 1000b             | 260  |      |      |
|                                |  |  | IDRIVEP_HS or IDRIVEP_LS = 1001b             | 330  |      |      |
|                                |  |  | IDRIVEP_HS or IDRIVEP_LS = 1010b             | 370  |      |      |
|                                |  |  | IDRIVEP_HS or IDRIVEP_LS = 1011b             | 440  |      |      |
|                                |  |  | IDRIVEP_HS or IDRIVEP_LS = 1100b             | 570  |      |      |
|                                |  |  | IDRIVEP_HS or IDRIVEP_LS = 1101b             | 680  |      |      |
|                                |  |  | IDRIVEP_HS or IDRIVEP_LS = 1110b             | 820  |      |      |
|                                |  |  | IDRIVEP_HS or IDRIVEP_LS = 1111b             | 1000 |      |      |
|                                |  | H/W Device                               | IDRIVE = Tied to AGND                        | 10   |      |      |
|                                |  |  | IDRIVE = 18 k $\Omega$ $\pm$ 5% tied to AGND | 30   |      |      |
|                                |  |  | IDRIVE = 75 k $\Omega$ $\pm$ 5% tied to AGND | 60   |      |      |
|                                |  |  | IDRIVE = Hi-Z                                | 120  |      |      |
| H/W Device                     | IDRIVE = 75 k $\Omega$ $\pm$ 5% tied to DVDD     | 260                                      |  |      |      |      |
|                                | IDRIVE = 18 k $\Omega$ $\pm$ 5% tied to DVDD     | 570                                      |  |      |      |      |
|                                | IDRIVE = Tied to DVDD                            | 1000                                     |  |      |      |      |

**Electrical Characteristics (continued)**

 at  $T_A = -40^\circ\text{C}$  to  $+125^\circ\text{C}$ ,  $V_{VM} = 6$  to  $60$  V (unless otherwise noted)

| PARAMETER  |                                 | TEST CONDITIONS                                    | MIN  | TYP  | MAX               | UNIT       |                              |  |
|--|---------------------------------|--|--|------|-------------------|------------|------------------------------|--|
| $I_{DRIVEN}$   | Peak sink gate current          | IDRIVEN_HS or IDRIVEN_LS = 0000b                   |  | 20   |                   | mA         |                              |  |
|  |                                 | IDRIVEN_HS or IDRIVEN_LS = 0001b                   |  | 60   |                   |            |                              |  |
|  |                                 | IDRIVEN_HS or IDRIVEN_LS = 0010b                   |  | 120  |                   |            |                              |  |
|  |                                 | IDRIVEN_HS or IDRIVEN_LS = 0011b                   |  | 160  |                   |            |                              |  |
|  |                                 | IDRIVEN_HS or IDRIVEN_LS = 0100b                   |  | 240  |                   |            |                              |  |
|  |                                 | IDRIVEN_HS or IDRIVEN_LS = 0101b                   |  | 280  |                   |            |                              |  |
|  |                                 | IDRIVEN_HS or IDRIVEN_LS = 0110b                   |  | 340  |                   |            |                              |  |
|  |                                 | IDRIVEN_HS or IDRIVEN_LS = 0111b                   |  | 380  |                   |            |                              |  |
|  |                                 | IDRIVEN_HS or IDRIVEN_LS = 1000b                   |  | 520  |                   |            |                              |  |
|  |                                 | IDRIVEN_HS or IDRIVEN_LS = 1001b                   |  | 660  |                   |            |                              |  |
|  |                                 | IDRIVEN_HS or IDRIVEN_LS = 1010b                   |  | 740  |                   |            |                              |  |
|  |                                 | IDRIVEN_HS or IDRIVEN_LS = 1011b                   |  | 880  |                   |            |                              |  |
|  |                                 | IDRIVEN_HS or IDRIVEN_LS = 1100b                   |  | 1140 |                   |            |                              |  |
|  |                                 | IDRIVEN_HS or IDRIVEN_LS = 1101b                   |  | 1360 |                   |            |                              |  |
|  |                                 | IDRIVEN_HS or IDRIVEN_LS = 1110b                   |  | 1640 |                   |            |                              |  |
|  |                                 | IDRIVEN_HS or IDRIVEN_LS = 1111b                   |  | 2000 |                   |            |                              |  |
|  |                                 | H/W Device   | IDRIVE = Tied to AGND                        |      | 20                |            |                              |  |
|  |                                 |  | IDRIVE = 18 k $\Omega$ $\pm$ 5% tied to AGND |      | 60                |            |                              |  |
| IDRIVE = 75 k $\Omega$ $\pm$ 5% tied to AGND         |                                 |  | 120  |      |                   |            |                              |  |
| IDRIVE = Hi-Z  |                                 |  | 240  |      |                   |            |                              |  |
| IDRIVE = 75 k $\Omega$ $\pm$ 5% tied to DVDD         |                                 |  | 520  |      |                   |            |                              |  |
| IDRIVE = 18 k $\Omega$ $\pm$ 5% tied to DVDD         |                                 |  | 1140   |      |                   |            |                              |  |
| IDRIVE = Tied to DVDD                                |                                 |  | 2000   |      |                   |            |                              |  |
| $I_{HOLD}$   | Gate holding current            | Source current after $t_{DRIVE}$                   |  | 10   |                   | mA         |                              |  |
|  |                                 | Sink current after $t_{DRIVE}$                     |  | 50   |                   |            |                              |  |
| $I_{STRONG}$   | Gate strong pulldown current    | GHx to SHx and GLx to PGND                         |  | 2    |                   | A          |                              |  |
| $R_{OFF}$  | Gate hold off resistor          | GHx to SHx and GLx to PGND                         |  | 150  |                   | k $\Omega$ |                              |  |
| <b>CURRENT SENSE AMPLIFIER (SNx, SOx, SPx, VREF)</b> |                                 |  |  |      |                   |            |                              |  |
| $G_{CSA}$  | Amplifier gain                  | SPI Device   | CSA_GAIN = 00b                               | 4.85 | 5                 | 5.15       | V/V                          |  |
|  |                                 |  | CSA_GAIN = 01b                               | 9.7  | 10                | 10.3       |                              |  |
|  |                                 |  | CSA_GAIN = 10b                               | 19.4 | 20                | 20.6       |                              |  |
|  |                                 |  | CSA_GAIN = 11b                               | 38.8 | 40                | 41.2       |                              |  |
|  |                                 | H/W Device   | GAIN = Tied to AGND                          | 4.85 | 5                 | 5.15       |                              |  |
|  |                                 |  | GAIN = 47 k $\Omega$ $\pm$ 5% tied to AGND   | 9.7  | 10                | 10.3       |                              |  |
|  |                                 |  | GAIN = Hi-Z                                  | 19.4 | 20                | 20.6       |                              |  |
|  |                                 |  | GAIN = Tied to DVDD                          | 38.8 | 40                | 41.2       |                              |  |
| $t_{SET}^{(1)}$                                      | Settling time to $\pm 1\%$      | $V_{O\_STEP} = 0.5$ V, $G_{CSA} = 5$ V/V           |  | 150  |                   | ns         |                              |  |
|  |                                 | $V_{O\_STEP} = 0.5$ V, $G_{CSA} = 10$ V/V          |  | 300  |                   |            |                              |  |
|  |                                 | $V_{O\_STEP} = 0.5$ V, $G_{VSA} = 20$ V/V          |  | 600  |                   |            |                              |  |
|  |                                 | $V_{O\_STEP} = 0.5$ V, $G_{CSA} = 40$ V/V          |  | 1200 |                   |            |                              |  |
| $V_{COM}$  | Common mode input range         |  | -0.15  |      | 0.15              | V          |                              |  |
| $V_{DIFF}$   | Differential mode input range   |  | -0.3   |      | 0.3               | V          |                              |  |
| $V_{OFF}$  | Input offset error              | $V_{SP} = V_{SN} = 0$ V, CAL = 3.3 V, VREF = 3.3 V |  | -4   |                   | 4          | mV                           |  |
| $V_{DRIFT}^{(1)}$                                    | Drift offset                    | $V_{SP} = V_{SN} = 0$ V                            |  |      | 10                |            | $\mu\text{V}/^\circ\text{C}$ |  |
| $V_{LINEAR}$   | SOx output voltage linear range |  | 0.25   |      | $V_{VREF} - 0.25$ |            | V                            |  |

## Electrical Characteristics (continued)

at  $T_A = -40^\circ\text{C}$  to  $+125^\circ\text{C}$ ,  $V_{VM} = 6$  to  $60$  V (unless otherwise noted)

| PARAMETER                                 |  | TEST CONDITIONS             | MIN   | TYP            | MAX | UNIT             |
|---|--|-----------------------------|---|----------------|-----|------------------|
| $V_{BIAS}$                                | SOx output voltage bias                            | SPI Device                  | $V_{SP} = V_{SN} = 0$ V, CAL = 3.3 V, VREF_DIV = 0b |                |     | V                |
|   |  |                             | $V_{SP} = V_{SN} = 0$ V, CAL = 3.3 V, VREF_DIV = 1b |                |     |                  |
|   |  | H/W Device                  | $V_{SP} = V_{SN} = 0$ V, CAL = 3.3 V                |                |     |                  |
| $I_{BIAS}$                                | SPx/SNx input bias current                         | VREF_DIV = 1b               |   |                | 100 | $\mu\text{A}$    |
| $V_{SLEW}^{(1)}$                          | SOx output slew rate                               | 60-pF load                  |   | 10             |     | V/ $\mu\text{s}$ |
| $I_{VREF}$                                | VREF input current                                 | $V_{VREF} = 5$ V            |   | 2              | 3   | mA               |
| $UGB^{(1)}$                               | Unity gain bandwidth                               | 60-pF load                  |   | 1              |     | MHz              |
| <b>PROTECTION CIRCUITS</b>                |  |                             |   |                |     |                  |
| $V_{UVLO}$                                | VM undervoltage lockout                            | VM falling, UVLO report     | 5.4   | 5.6            | 5.8 | V                |
|   |  | VM rising, UVLO recovery    | 5.6   | 5.8            | 6   |                  |
| $V_{UVLO\_HYS}$                           | VM undervoltage hysteresis                         | Rising to falling threshold |   | 200            |     | mV               |
| $t_{UVLO\_DEG}$                           | VM undervoltage deglitch time                      | VM falling, UVLO report     |   | 10             |     | $\mu\text{s}$    |
| $V_{CPUV}$                                | Charge pump undervoltage lockout                   | VCP falling, CPUV report    |   | $V_{VM} + 2.8$ |     | V                |
| $V_{GS\_CLAMP}$                           | High-side gate clamp                               | Positive clamping voltage   | 15  | 16.5           | 18  | V                |
|   |  | Negative clamping voltage   |   | -0.7           |     |                  |
| $V_{VDS\_OCP}$                            | $V_{DS}$ overcurrent trip voltage                  | SPI Device                  | VDS_LVL = 0000b                                     | 0.06           |     | V                |
|   |  |                             | VDS_LVL = 0001b                                     | 0.13           |     |                  |
|   |  |                             | VDS_LVL = 0010b                                     | 0.2            |     |                  |
|   |  |                             | VDS_LVL = 0011b                                     | 0.26           |     |                  |
|   |  |                             | VDS_LVL = 0100b                                     | 0.31           |     |                  |
|   |  |                             | VDS_LVL = 0101b                                     | 0.45           |     |                  |
|   |  |                             | VDS_LVL = 0110b                                     | 0.53           |     |                  |
|   |  |                             | VDS_LVL = 0111b                                     | 0.6            |     |                  |
|   |  |                             | VDS_LVL = 1000b                                     | 0.68           |     |                  |
|   |  |                             | VDS_LVL = 1001b                                     | 0.75           |     |                  |
|   |  |                             | VDS_LVL = 1010b                                     | 0.94           |     |                  |
|   |  |                             | VDS_LVL = 1011b                                     | 1.13           |     |                  |
|   |  |                             | VDS_LVL = 1100b                                     | 1.3            |     |                  |
|   |  |                             | VDS_LVL = 1101b                                     | 1.5            |     |                  |
|   |  | VDS_LVL = 1110b             | 1.7   |                |     |                  |
|   |  | VDS_LVL = 1111b             | 1.88  |                |     |                  |
|   |  | H/W Device                  | VDS = Tied to AGND                                  | 0.06           |     |                  |
|   |  |                             | VDS = 18 k $\Omega$ $\pm$ 5% tied to AGND           | 0.13           |     |                  |
|   |  |                             | VDS = 75 k $\Omega$ $\pm$ 5% tied to AGND           | 0.26           |     |                  |
|   |  |                             | VDS = Hi-Z  | 0.6            |     |                  |
| VDS = 75 k $\Omega$ $\pm$ 5% tied to DVDD | 1.13   |                             |   |                |     |                  |
| VDS = 18 k $\Omega$ $\pm$ 5% tied to DVDD | 1.88   |                             |   |                |     |                  |
|   | VDS = Tied to DVDD                                 | Disabled                    |   |                |     |                  |
| $t_{OCP\_DEG}$                            | $V_{DS}$ and $V_{SENSE}$ overcurrent deglitch time | SPI Device                  | OCP_DEG = 00b                                       | 2              |     | $\mu\text{s}$    |
|   |  |                             | OCP_DEG = 01b                                       | 4              |     |                  |
|   |  |                             | OCP_DEG = 10b                                       | 6              |     |                  |
|   |  |                             | OCP_DEG = 11b                                       | 8              |     |                  |
|   |  | H/W Device                  | 4   |                |     |                  |



## Electrical Characteristics (continued)

 at  $T_A = -40^\circ\text{C}$  to  $+125^\circ\text{C}$ ,  $V_{VM} = 6$  to  $60$  V (unless otherwise noted)

| PARAMETER                                    |                                      | TEST CONDITIONS  | MIN           | TYP   | MAX   | UNIT             |
|--|--------------------------------------|--|---------------|-------|-------|------------------|
| $V_{SEN\_OCP}$                               | $V_{SENSE}$ overcurrent trip voltage | SPI Device   | SEN_LVL = 00b | 0.25  |       | V                |
|  |                                      |  | SEN_LVL = 01b | 0.5   |       |                  |
|  |                                      |  | SEN_LVL = 10b | 0.75  |       |                  |
|  |                                      |  | SEN_LVL = 11b | 1     |       |                  |
|  |                                      | H/W Device   |               | 1     |       |                  |
| $t_{RETRY}$                                  | Overcurrent retry time               | SPI Device   | TRETRY = 0b   | 4     |       | ms               |
|  |                                      |  | TRETRY = 1b   | 50    |       | $\mu\text{s}$    |
|  |                                      | H/W Device   |               | 4     |       | ms               |
| $T_{OTW}^{(1)}$                              | Thermal warning temperature          | Die temperature, $T_J$   | 130           | 150   | 165   | $^\circ\text{C}$ |
| $T_{OTS}^{(1)}$                              | Thermal shutdown temperature         | Die temperature, $T_J$   | 150           | 170   | 185   | $^\circ\text{C}$ |
| $T_{HYS}^{(1)}$                              | Thermal hysteresis                   | Die temperature, $T_J$   |               | 20    |       | $^\circ\text{C}$ |
| <b>BUCK REGULATOR SUPPLY (VIN)</b>           |                                      |  |               |       |       |                  |
| $I_{nSHDN}$                                  | Shutdown supply current              | $V_{nSHDN} = 0$ V  |               | 1     | 3     | $\mu\text{A}$    |
| $I_Q$  | Operating quiescent current          | $V_{VIN} = 12$ V, no load; not switching                                 |               | 28    |       | $\mu\text{A}$    |
| $V_{VIN\_UVLO}$                              | VIN undervoltage lockout threshold   | VIN Rising   |               |       | 4     | V                |
|  |                                      | VIN Falling  | 3             |       |       |                  |
| <b>BUCK REGULATOR SHUTDOWN (nSHDN)</b>       |                                      |  |               |       |       |                  |
| $V_{nSHDN\_TH}$                              | Rising nSHDN threshold               |  | 1.05          | 1.25  | 1.38  | V                |
| $I_{nSHDN}$                                  | Input current                        | $V_{nSHDN} = 2.3$ V  |               | -4.2  |       | $\mu\text{A}$    |
|  |                                      | $V_{nSHDN} = 0.9$ V  |               | -1    |       |                  |
| $I_{nSHDN\_HYS}$                             | Hysteresis current                   |  |               | -3    |       | $\mu\text{A}$    |
| <b>BUCK REGULATOR HIGH-SIDE MOSFET</b>       |                                      |  |               |       |       |                  |
| $R_{DS\_ON}$                                 | MOSFET on resistance                 | $V_{VIN} = 12$ V, $V_{CB}$ to $V_{SW} = 5.8$ V, $T_A = 25^\circ\text{C}$ |               | 900   |       | $\text{m}\Omega$ |
| <b>BUCK REGULATOR VOLTAGE REFERENCE (FB)</b> |                                      |  |               |       |       |                  |
| $V_{FB}$                                     | Feedback voltage                     |  | 0.747         | 0.765 | 0.782 | V                |
| <b>BUCK REGULATOR CURRENT LIMIT</b>          |                                      |  |               |       |       |                  |
| $I_{LIMIT}$                                  | Peak current limit                   | $V_{VIN} = 12$ V, $T_A = 25^\circ\text{C}$                               |               | 1200  |       | mA               |
|  |                                      |  |               |       | 1700  |                  |
| <b>BUCK REGULATOR SWITCHING (SW)</b>         |                                      |  |               |       |       |                  |
| $f_{SW}$                                     | Switching frequency                  |  | 595           | 700   | 805   | kHz              |
| $D_{MAX}$                                    | Maximum duty cycle                   |  |               | 96%   |       |                  |
| <b>BUCK REGULATOR THERMAL SHUTDOWN</b>       |                                      |  |               |       |       |                  |
| $T_{SHDN}^{(1)}$                             | Thermal shutdown threshold           |  |               | 170   |       | $^\circ\text{C}$ |
| $T_{HYS}^{(1)}$                              | Thermal shutdown hysteresis          |  |               | 10    |       | $^\circ\text{C}$ |

## 7.6 SPI Timing Requirements<sup>(1)</sup>

at  $T_A = -40^\circ\text{C}$  to  $+125^\circ\text{C}$ ,  $V_{VM} = 6$  to  $60$  V (unless otherwise noted)

|                                   |  | MIN                       | NOM | MAX | UNIT |
|-----------------------------------|--|---------------------------|-----|-----|------|
| <b>SPI (nSCS, SCLK, SDI, SDO)</b> |  |                           |     |     |      |
| $t_{\text{READY}}$                | SPI ready after enable                   | VM > UVLO, ENABLE = 3.3 V |     | 1   | ms   |
| $t_{\text{CLK}}$                  | SCLK minimum period                      | 100                       |     |     | ns   |
| $t_{\text{CLKH}}$                 | SCLK minimum high time                   | 50                        |     |     | ns   |
| $t_{\text{CLKL}}$                 | SCLK minimum low time                    | 50                        |     |     | ns   |
| $t_{\text{SU\_SDI}}$              | SDI input data setup time                | 20                        |     |     | ns   |
| $t_{\text{H\_SDI}}$               | SDI input data hold time                 | 30                        |     |     | ns   |
| $t_{\text{D\_SDO}}$               | SDO output data delay time               |                           |     | 30  | ns   |
| $t_{\text{SU\_nSCS}}$             | nSCS input setup time                    | 50                        |     |     | ns   |
| $t_{\text{H\_nSCS}}$              | nSCS input hold time                     | 50                        |     |     | ns   |
| $t_{\text{HI\_nSCS}}$             | nSCS minimum high time before active low | 400                       |     |     | ns   |
| $t_{\text{DIS\_nSCS}}$            | nSCS disable time                        |                           | 10  |     | ns   |

(1) Specified by design and characterization data

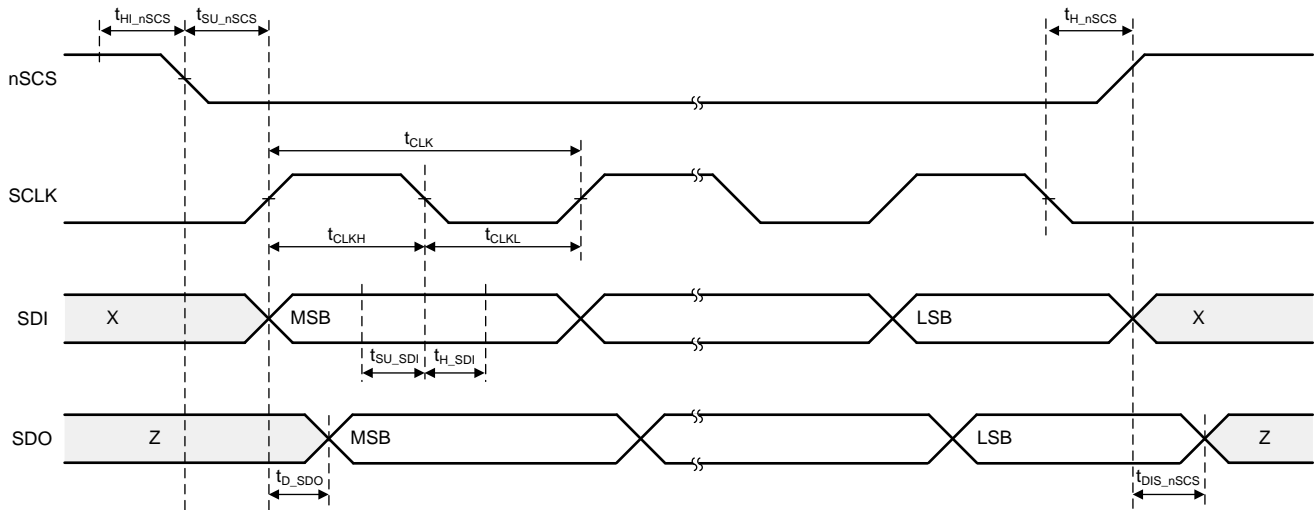
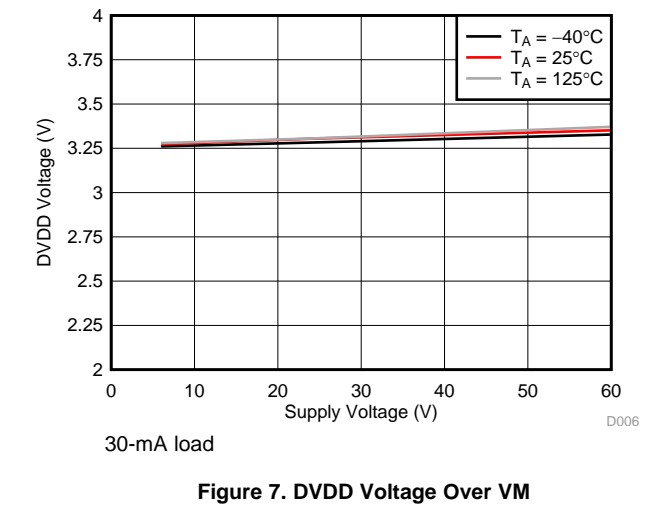
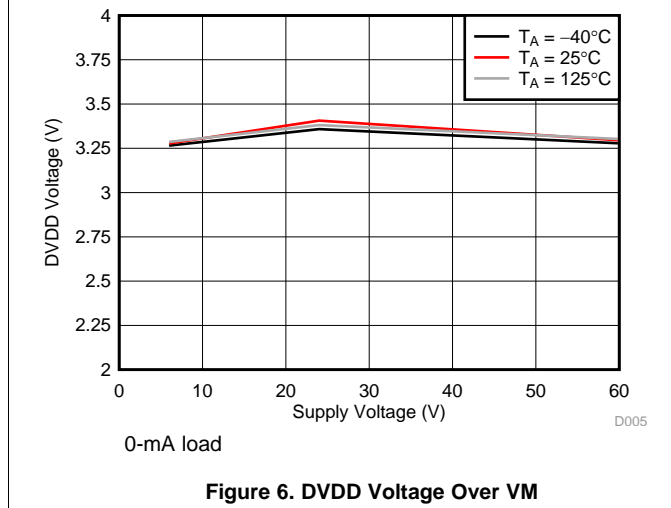
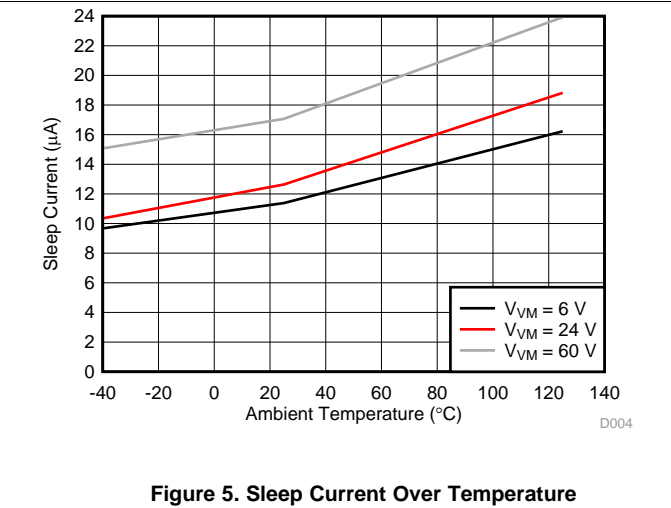
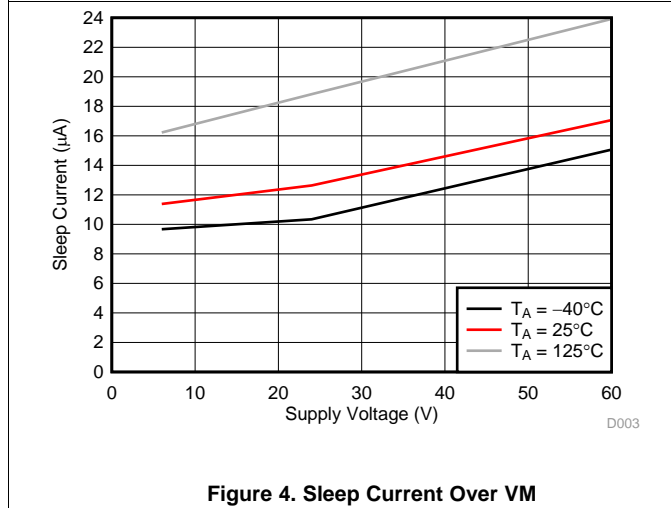
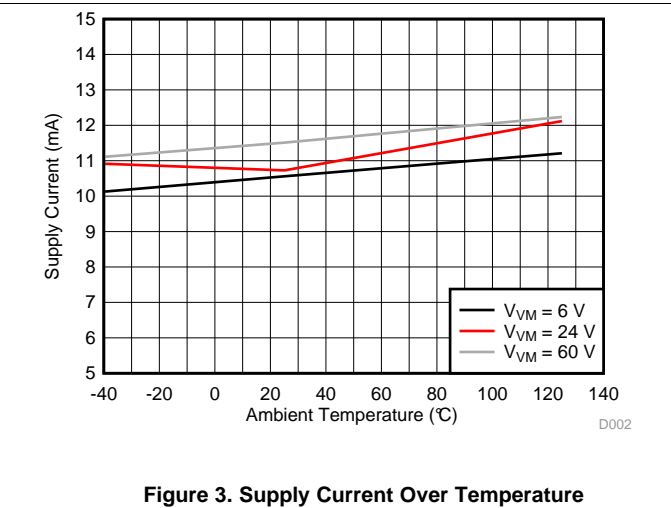
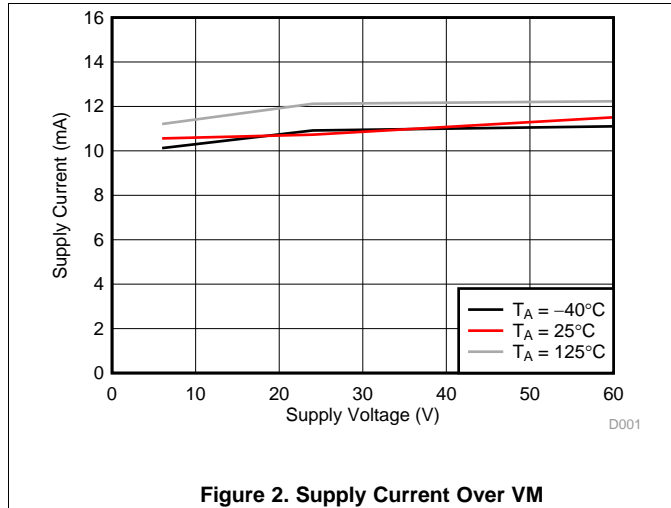
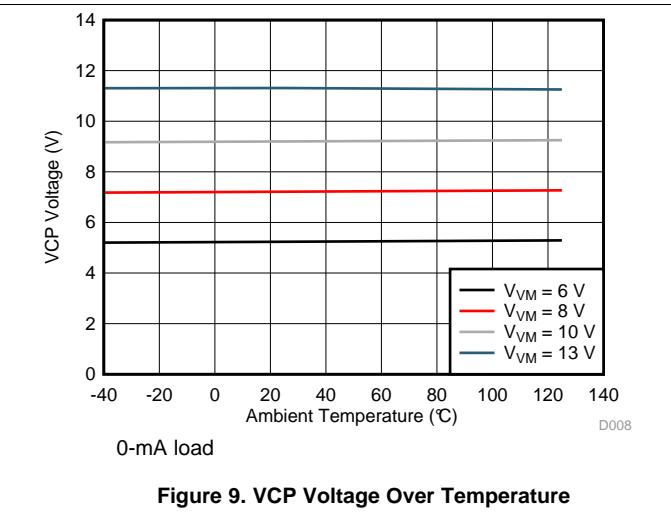
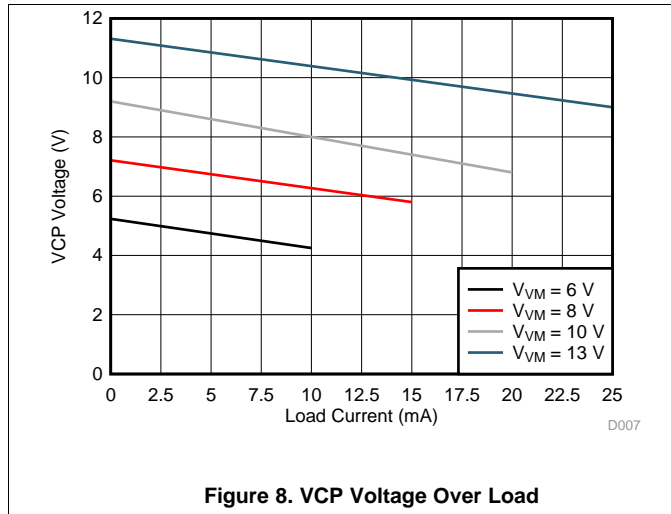


Figure 1. SPI Slave Mode Timing Diagram

## 7.7 Typical Characteristics



Typical Characteristics (continued)



## 8 Detailed Description

### 8.1 Overview

The DRV832x family of devices is an integrated 6 to 60-V gate driver for three-phase motor drive applications. These devices decrease system component count, cost, and complexity by integrating three independent half-bridge gate drivers, charge pump, and linear regulator for the supply voltages of the high-side and low-side gate drivers. The device also integrates optional triple current shunt (or current sense) amplifiers and an optional 600-mA buck regulator. A standard serial peripheral interface (SPI) provides a simple method for configuring the various device settings and reading fault diagnostic information through an external controller. Alternatively, a hardware interface (H/W) option allows for configuring the most common settings through fixed external resistors.

The gate drivers support external N-channel high-side and low-side power MOSFETs and can drive up to 1-A source, 2-A sink peak currents with a 25-mA average output current. A doubler charge pump generates the supply voltage of the high-side gate drive. This charge pump architecture regulates the VCP output to  $V_{VM} + 11\text{ V}$ . The supply voltage of the low-side gate driver is generated using a linear regulator from the VM power supply that regulates to 11 V. A Smart Gate Drive architecture provides the ability to dynamically adjust the strength of the gate drive output current which lets the gate driver control the  $V_{DS}$  switching speed of the power MOSFET. This feature lets the user remove the external gate drive resistors and diodes, reducing the component count in the bill of materials (BOM), cost, and area of the printed circuit board (PCB). The architecture also uses an internal state machine to protect against short-circuit events in the gate driver, control the half-bridge dead time, and protect against  $dV/dt$  parasitic turnon of the external power MOSFET.

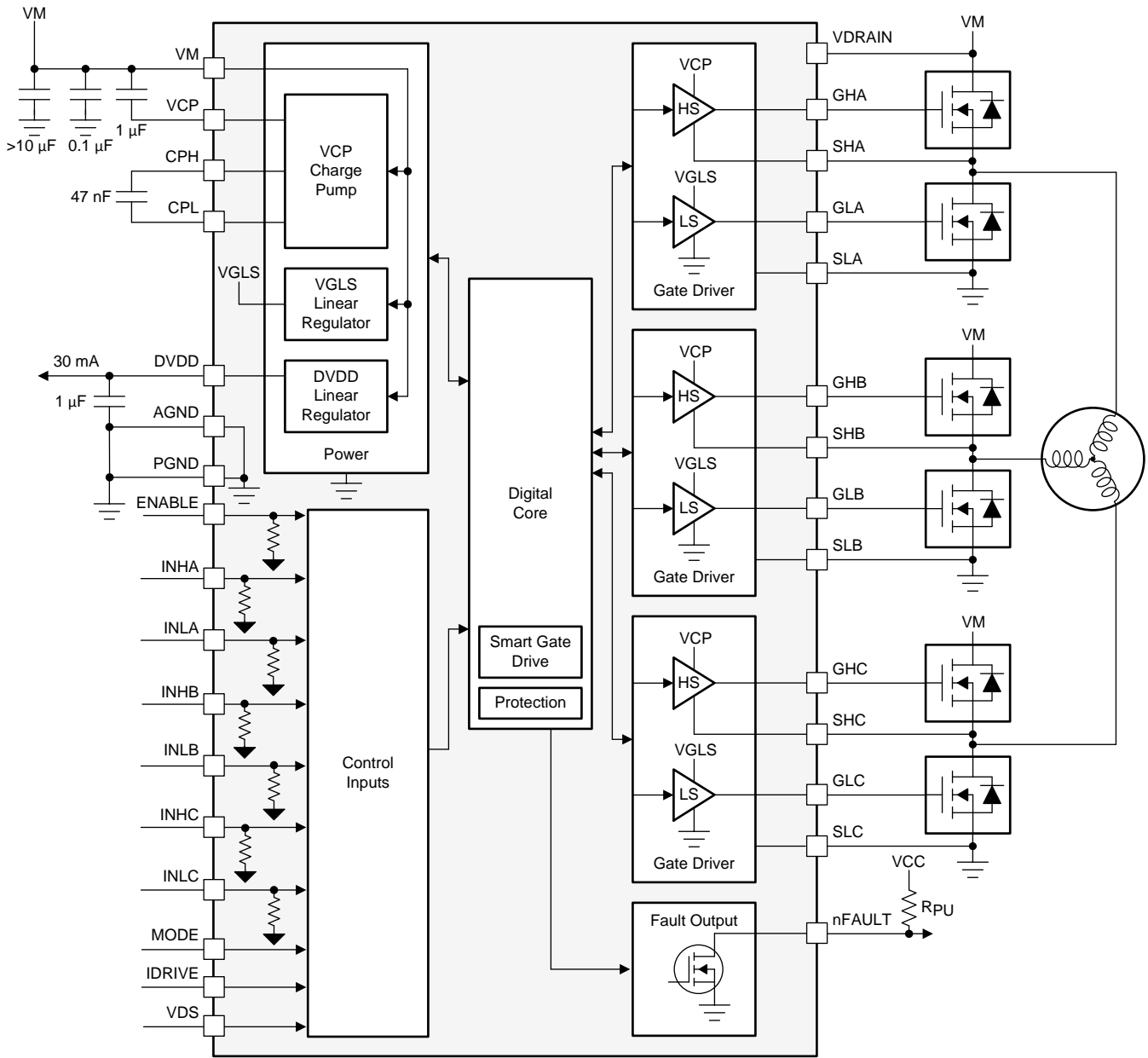
The DRV8323 and DRV8323R devices integrate three bidirectional current sense amplifiers for monitoring the current level through each of the external half-bridges using a low-side shunt resistor. The gain setting of the current sense amplifier can be adjusted through the SPI or hardware interface. The SPI method provides additional flexibility to adjust the output bias point.

The DRV8320R and DRV8323R devices integrate a 600-mA buck regulator that can be used to power an external controller or other logic circuits. The buck regulator is implemented as a separate internal die that can use either the same or a different power supply than the gate driver.

In addition to the high level of device integration, the DRV832x family of devices provides a wide range of integrated protection features. These features include power supply undervoltage lockout (UVLO), charge pump undervoltage lockout (CPUV),  $V_{DS}$  overcurrent monitoring (OCP), gate driver short-circuit detection (GDF), and overtemperature shutdown (OTW and OTSD). Fault events are indicated by the nFAULT pin with detailed information available in the SPI registers on the SPI device version.

The DRV832x family of devices are available in 0.5-mm pin pitch, QFN surface-mount packages. The QFN sizes are 5 × 5 mm for the 32-pin package, 6 × 6 mm for the 40-pin package, and 7 × 7 mm for the 48-pin package.

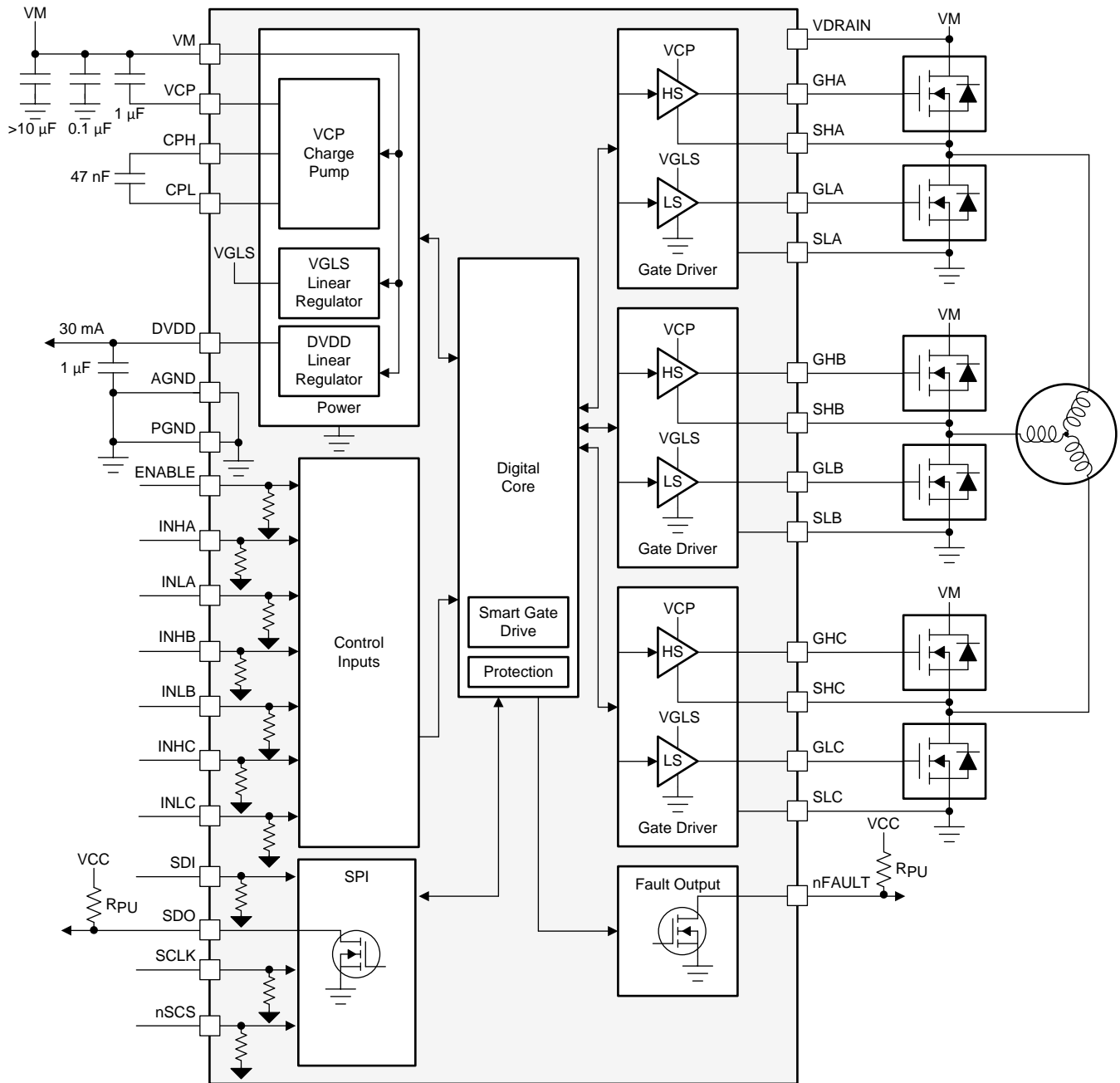
## 8.2 Functional Block Diagram



Copyright © 2017, Texas Instruments Incorporated

Figure 10. Block Diagram for DRV8320H

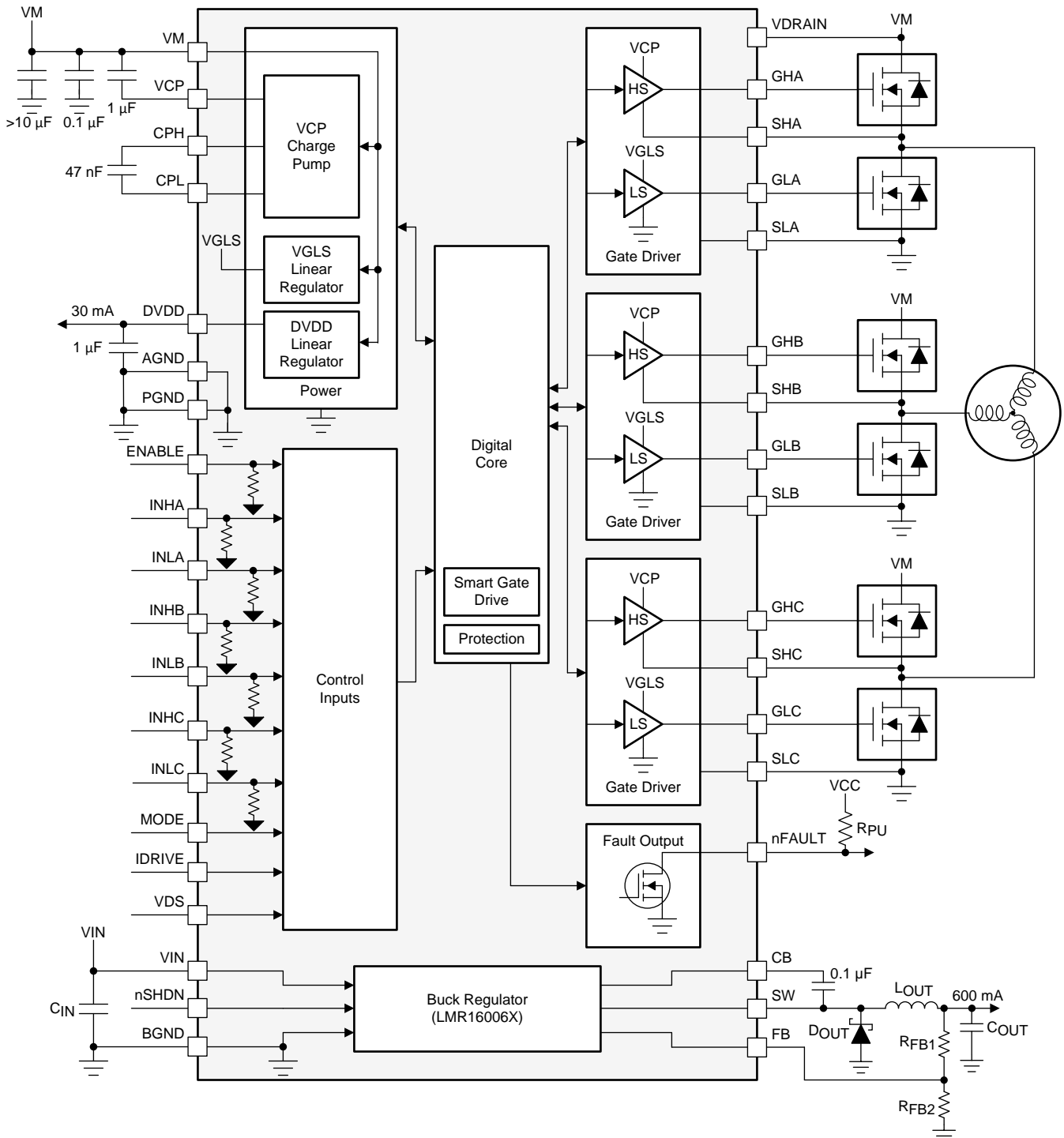
Functional Block Diagram (continued)



Copyright © 2017, Texas Instruments Incorporated

Figure 11. Block Diagram for DRV8320S

Functional Block Diagram (continued)

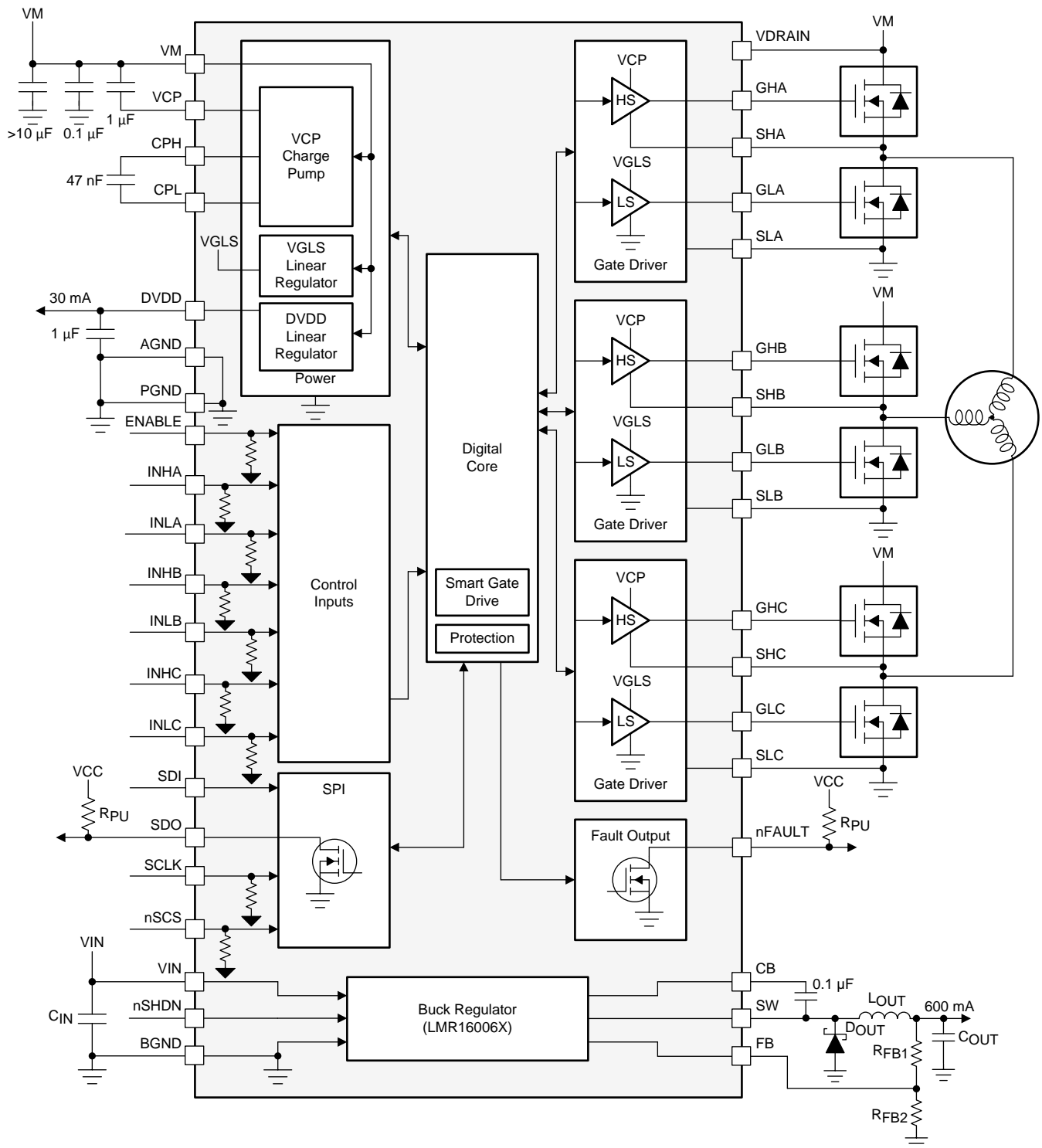


Copyright © 2017, Texas Instruments Incorporated

Figure 12. Block Diagram for DRV8320RH



Functional Block Diagram (continued)



Copyright © 2017, Texas Instruments Incorporated

Figure 13. Block Diagram for DRV8320RS

Functional Block Diagram (continued)

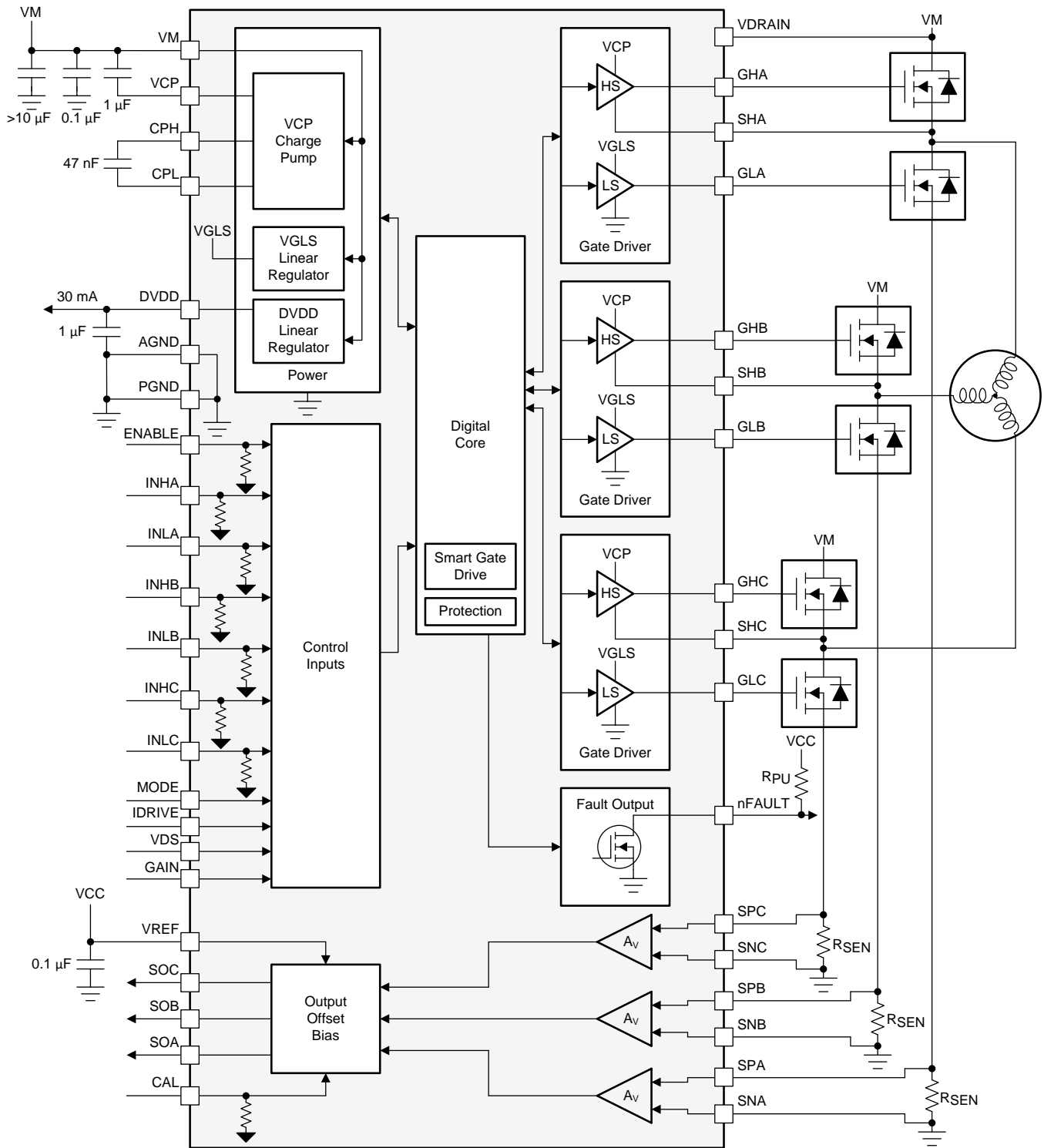
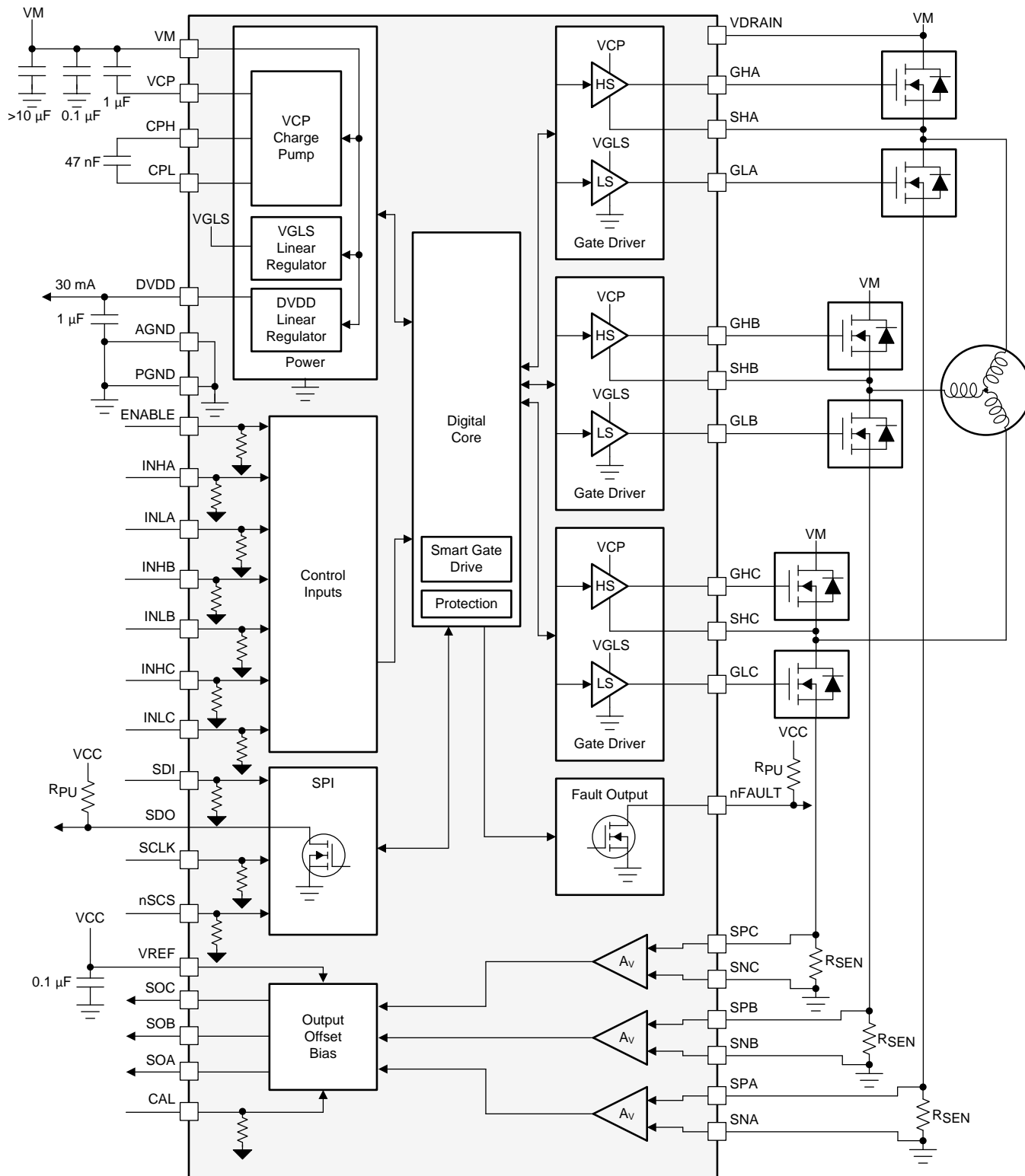


Figure 14. Block Diagram for DRV8323H

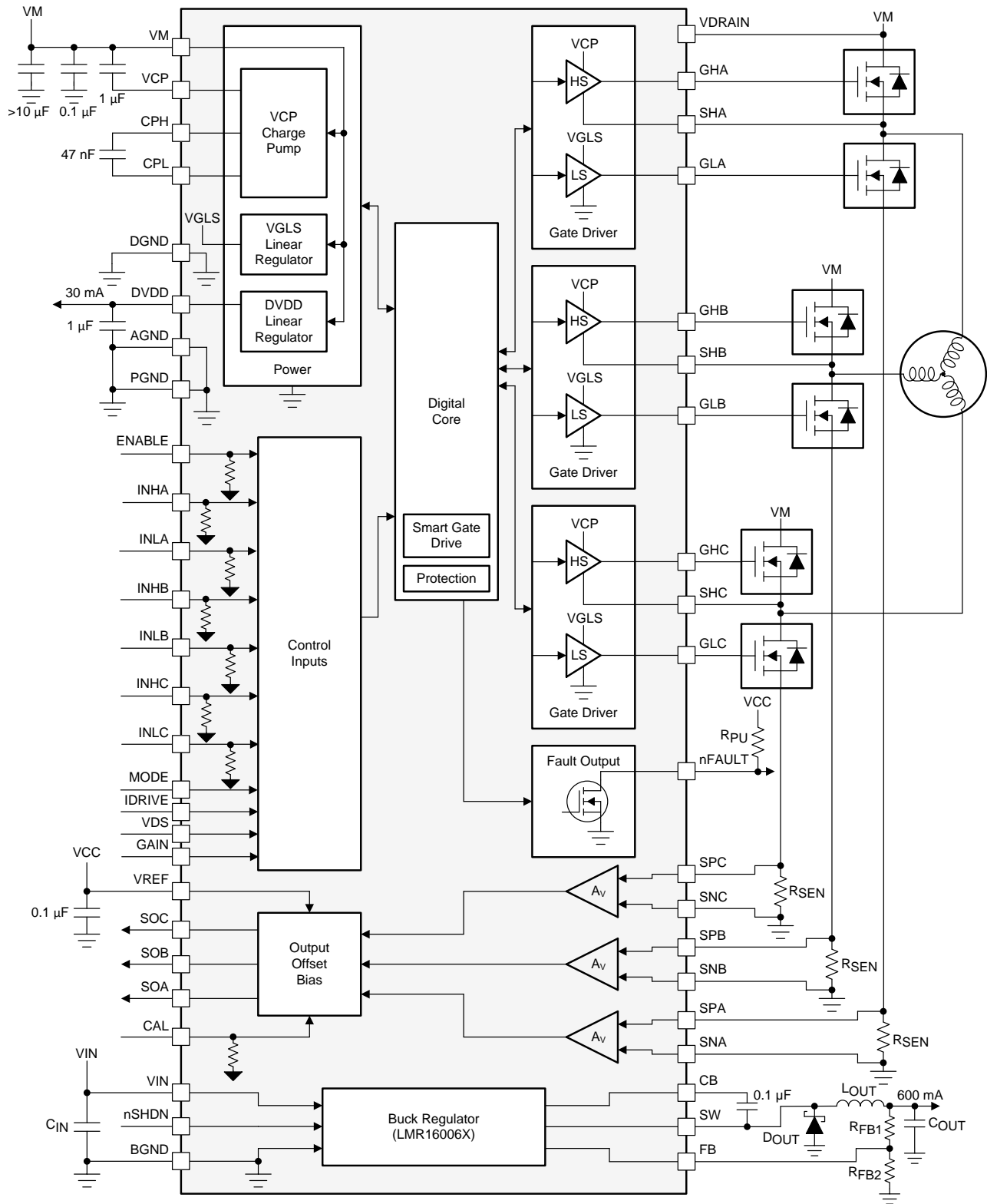
Functional Block Diagram (continued)



Copyright © 2017, Texas Instruments Incorporated

Figure 15. Block Diagram for DRV8323S

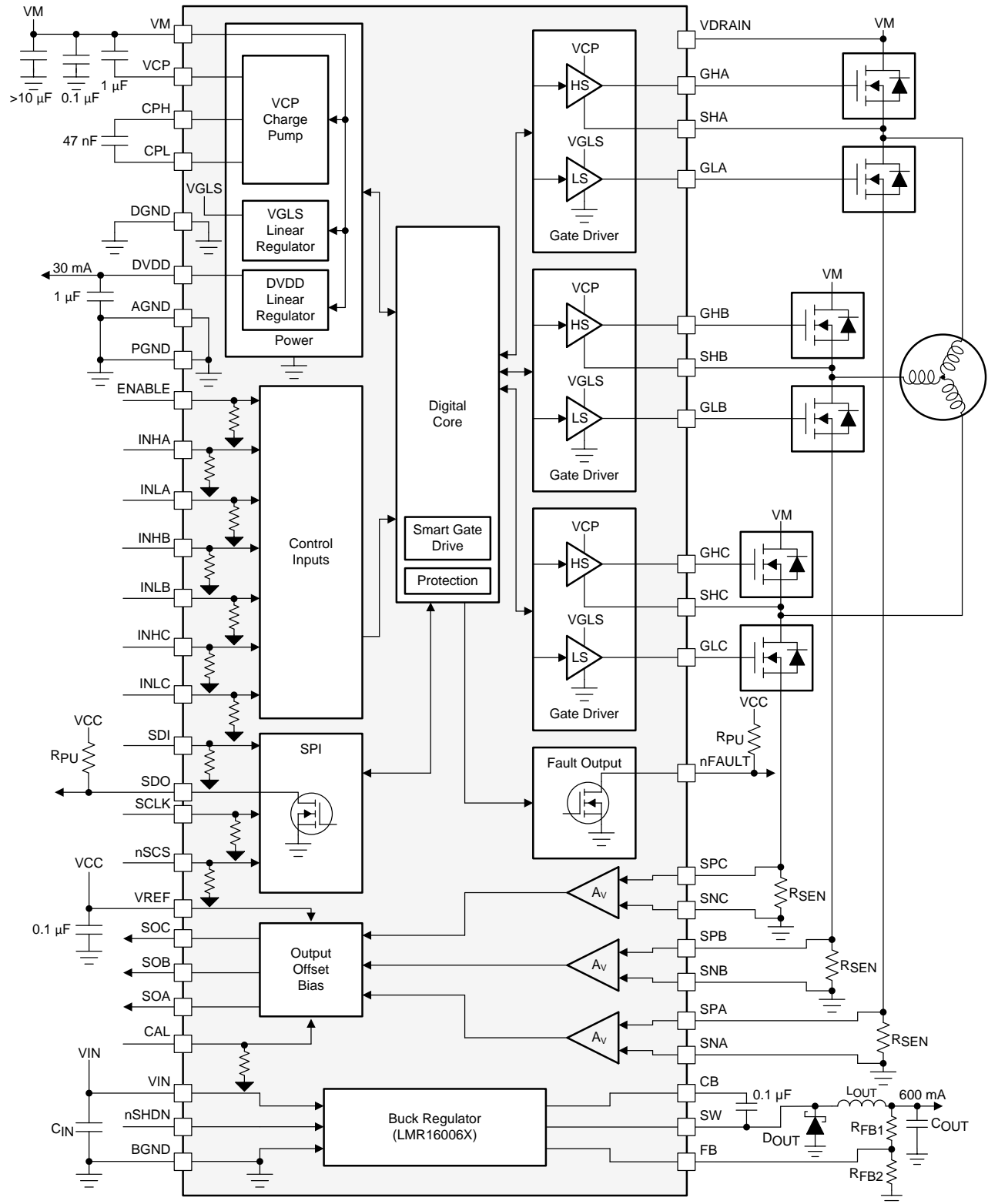
Functional Block Diagram (continued)



Copyright © 2017, Texas Instruments Incorporated

Figure 16. Block Diagram for DRV8323RH

Functional Block Diagram (continued)



Copyright © 2017, Texas Instruments Incorporated

Figure 17. Block Diagram for DRV8323RS

## 8.3 Feature Description

Table 1 lists the recommended values of the external components for the gate driver and the buck regulator.

**Table 1. DRV832x External Components**

| COMPONENTS                             | PIN 1              | PIN 2              | RECOMMENDED                                     |
|--|--------------------|--------------------|---|
| <b>GATE DRIVER AND SENSE AMPLIFIER</b> |                    |                    |   |
| C <sub>VM1</sub>                       | VM                 | PGND               | X5R or X7R, 0.1- $\mu$ F, VM-rated capacitor    |
| C <sub>VM2</sub>                       | VM                 | PGND               | $\geq 10 \mu\text{F}$ , VM-rated capacitor      |
| C <sub>VCP</sub>                       | VCP                | VM                 | X5R or X7R, 16-V, 1- $\mu$ F capacitor          |
| C <sub>SW</sub>                        | CPH                | CPL                | X5R or X7R, 47-nF, VM-rated capacitor           |
| C <sub>DVDD</sub>                      | DVDD               | AGND               | X5R or X7R, 1- $\mu$ F, 6.3-V capacitor         |
| R <sub>nFAULT</sub>                    | VCC <sup>(1)</sup> | nFAULT             | Pullup resistor                                 |
| R <sub>SDO</sub>                       | VCC <sup>(1)</sup> | SDO                | Pullup resistor                                 |
| R <sub>IDRIVE</sub>                    | IDRIVE             | AGND or DVDD       | DRV832x hardware interface                      |
| R <sub>VDS</sub>                       | VDS                | AGND or DVDD       | DRV832x hardware interface                      |
| R <sub>MODE</sub>                      | MODE               | AGND or DVDD       | DRV832x hardware interface                      |
| R <sub>GAIN</sub>                      | GAIN               | AGND or DVDD       | DRV832x hardware interface                      |
| C <sub>VREF</sub>                      | VREF               | AGND or DGND       | X5R or X7R, 0.1- $\mu$ F, VREF-rated capacitor  |
| R <sub>ASENSE</sub>                    | SPA                | SNA and PGND       | Sense shunt resistor                            |
| R <sub>BSENSE</sub>                    | SPB                | SNB and PGND       | Sense shunt resistor                            |
| R <sub>CSENSE</sub>                    | SPC                | SNC and PGND       | Sense shunt resistor                            |
| <b>BUCK REGULATOR</b>                  |                    |                    |   |
| C <sub>VIN</sub>                       | VIN                | BGND               | X5R or X7R, 1 to 10 $\mu$ F, VM-rated capacitor |
| C <sub>BOOT</sub>                      | SW                 | CB                 | X5R or X7R, 0.1- $\mu$ F, 16-V capacitor        |
| D <sub>SW</sub>                        | SW                 | BGND               | Schottky diode                                  |
| L <sub>SW</sub>                        | SW                 | OUT <sup>(2)</sup> | Output inductor                                 |
| C <sub>OUT</sub>                       | OUT <sup>(2)</sup> | BGND               | X5R or X7R, OUT rated capacitor                 |
| R <sub>FB1</sub>                       | OUT <sup>(2)</sup> | FB                 | Resistor divider to set buck output voltage     |
| R <sub>FB2</sub>                       | FB                 | BGND               |   |

(1) The VCC pin is not a pin on the DRV832x family of devices, but a VCC supply voltage pullup is required for the open-drain outputs, nFAULT and SDO. These pins can also be pulled up to DVDD.

(2) The OUT pin is not a pin on the DRV8320R and DRV8323R devices, but is the regulated output voltage of the buck regulator after the output inductor.

### 8.3.1 Three Phase Smart Gate Drivers

The DRV832x family of devices integrates three, half-bridge gate drivers, each capable of driving high-side and low-side N-channel power MOSFETs. A doubler charge pump provides the correct gate bias voltage to the high-side MOSFET across a wide operating voltage range in addition to providing 100% support of the duty cycle. An internal linear regulator provides the gate bias voltage for the low-side MOSFETs. The half-bridge gate drivers can be used in combination to drive a three-phase motor or separately to drive other types of loads.

The DRV832x family of devices implements a Smart Gate Drive architecture which allows the user to dynamically adjust the gate drive current without requiring external resistors to limit the gate current. Additionally, this architecture provides a variety of protection features for the external MOSFETs including automatic dead time insertion, prevent of parasitic dV/dt gate turnon, and gate fault detection.

#### 8.3.1.1 PWM Control Modes

The DRV832x family of devices provides four different PWM control modes to support various commutation and control methods. Texas Instruments does not recommend changing the MODE pin or PWM\_MODE register during operation of the power MOSFETs. Set all INHx and INLx pins to logic low before changing the MODE pin or PWM\_MODE register.

### 8.3.1.1.1 6x PWM Mode (PWM\_MODE = 00b or MODE Pin Tied to AGND)

In 6x PWM mode, each half-bridge supports three output states: low, high, or high-impedance (Hi-Z). The corresponding INHx and INLx signals control the output state as listed in [Table 2](#).

**Table 2. 6x PWM Mode Truth Table**

| INLx | INHx | GLx | GHx | SHx  |
|------|------|-----|-----|------|
| 0    | 0    | L   | L   | Hi-Z |
| 0    | 1    | L   | H   | H    |
| 1    | 0    | H   | L   | L    |
| 1    | 1    | L   | L   | Hi-Z |

### 8.3.1.1.2 3x PWM Mode (PWM\_MODE = 01b or MODE Pin = 47 kΩ to AGND)

In 3x PWM mode, the INHx pin controls each half-bridge and supports two output states: low or high. The INLx pin is used to put the half bridge in the Hi-Z state. If the Hi-Z state is not required, tie all INLx pins to logic high. The corresponding INHx and INLx signals control the output state as listed in [Table 3](#).

**Table 3. 3x PWM Mode Truth Table**

| INLx | INHx | GLx | GHx | SHx  |
|------|------|-----|-----|------|
| 0    | X    | L   | L   | Hi-Z |
| 1    | 0    | H   | L   | L    |
| 1    | 1    | L   | H   | H    |

### 8.3.1.1.3 1x PWM Mode (PWM\_MODE = 10b or MODE Pin = Hi-Z)

In 1x PWM mode, the DRV832x family of devices uses 6-step block commutation tables that are stored internally. This feature allows for a three-phase BLDC motor to be controlled using one PWM sourced from a simple controller. The PWM is applied on the INHA pin and determines the output frequency and duty cycle of the half-bridges.

The half-bridge output states are managed by the INLA, INHB, and INLB pins which are used as state logic inputs. The state inputs can be controlled by an external controller or connected directly to the digital outputs of the Hall effect sensor from the motor (INLA = HALL\_A, INHB = HALL\_B, INLB = HALL\_C). The 1x PWM mode usually operates with synchronous rectification (low-side MOSFET recirculation); however, the mode can be configured to use asynchronous rectification (MOSFET body diode freewheeling) on SPI devices. This configuration is set using the 1PWM\_COM bit in the SPI registers.

The INHC input controls the direction through the 6-step commutation table which is used to change the direction of the motor when Hall effect sensors are directly controlling the state of the INLA, INHB, and INLB inputs. Tie the INHC pin low if this feature is not required.

The INLC input brakes the motor by turning off all high-side MOSFETs and turning on all low-side MOSFETs when the INLC pin is pulled low. This brake is independent of the state of the other input pins. Tie the INLC pin high if this feature is not required.

**Table 4. Synchronous 1x PWM Mode**

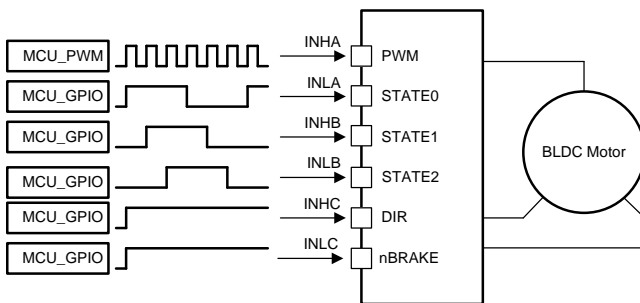
| STATE | LOGIC AND HALL INPUTS |      |      |          |      |      | GATE DRIVE OUTPUTS <sup>(1)</sup> |      |         |      |         |      | DESCRIPTION |
|-------|-----------------------|------|------|----------|------|------|-----------------------------------|------|---------|------|---------|------|-------------|
|       | INHC = 0              |      |      | INHC = 1 |      |      | PHASE A                           |      | PHASE B |      | PHASE C |      |             |
|       | INLA                  | INHB | INLB | INLA     | INHB | INLB | GHA                               | GLA  | GHB     | GLB  | GHC     | GLC  |             |
| Stop  | 0                     | 0    | 0    | 0        | 0    | 0    | L                                 | L    | L       | L    | L       | L    | Stop        |
| Align | 1                     | 1    | 1    | 1        | 1    | 1    | PWM                               | !PWM | L       | H    | L       | H    | Align       |
| 1     | 1                     | 1    | 0    | 0        | 0    | 1    | L                                 | L    | PWM     | !PWM | L       | H    | B → C       |
| 2     | 1                     | 0    | 0    | 0        | 1    | 1    | PWM                               | !PWM | L       | L    | L       | H    | A → C       |
| 3     | 1                     | 0    | 1    | 0        | 1    | 0    | PWM                               | !PWM | L       | H    | L       | L    | A → B       |
| 4     | 0                     | 0    | 1    | 1        | 1    | 0    | L                                 | L    | L       | H    | PWM     | !PWM | C → B       |
| 5     | 0                     | 1    | 1    | 1        | 0    | 0    | L                                 | H    | L       | L    | PWM     | !PWM | C → A       |
| 6     | 0                     | 1    | 0    | 1        | 0    | 1    | L                                 | H    | PWM     | !PWM | L       | L    | B → A       |

(1) !PWM is the inverse of the PWM signal.

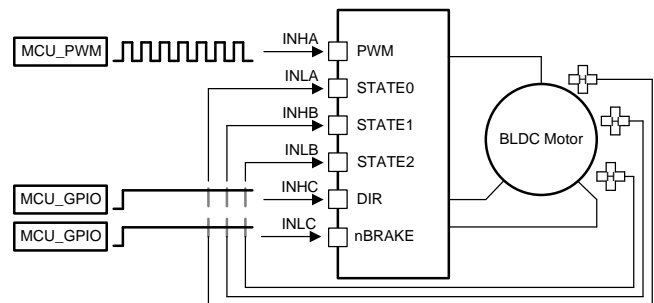
**Table 5. Asynchronous 1x PWM Mode 1PWM\_COM = 1 (SPI Only)**

| STATE | LOGIC AND HALL INPUTS |      |      |          |      |      | GATE DRIVE OUTPUTS |     |         |     |         |     | DESCRIPTION |
|-------|-----------------------|------|------|----------|------|------|--------------------|-----|---------|-----|---------|-----|-------------|
|       | INHC = 0              |      |      | INHC = 1 |      |      | PHASE A            |     | PHASE B |     | PHASE C |     |             |
|       | INLA                  | INHB | INLB | INLA     | INHB | INLB | GHA                | GLA | GHB     | GLB | GHC     | GLC |             |
| Stop  | 0                     | 0    | 0    | 0        | 0    | 0    | L                  | L   | L       | L   | L       | L   | Stop        |
| Align | 1                     | 1    | 1    | 1        | 1    | 1    | PWM                | L   | L       | H   | L       | H   | Align       |
| 1     | 1                     | 1    | 0    | 0        | 0    | 1    | L                  | L   | PWM     | L   | L       | H   | B → C       |
| 2     | 1                     | 0    | 0    | 0        | 1    | 1    | PWM                | L   | L       | L   | L       | H   | A → C       |
| 3     | 1                     | 0    | 1    | 0        | 1    | 0    | PWM                | L   | L       | H   | L       | L   | A → B       |
| 4     | 0                     | 0    | 1    | 1        | 1    | 0    | L                  | L   | L       | H   | PWM     | L   | C → B       |
| 5     | 0                     | 1    | 1    | 1        | 0    | 0    | L                  | H   | L       | L   | PWM     | L   | C → A       |
| 6     | 0                     | 1    | 0    | 1        | 0    | 1    | L                  | H   | PWM     | L   | L       | L   | B → A       |

Figure 18 and Figure 19 show the different possible configurations in 1x PWM mode.



**Figure 18. 1x PWM—Simple Controller**



**Figure 19. 1x PWM—Hall Effect Sensor**

**8.3.1.1.4 Independent PWM Mode (PWM\_MODE = 11b or MODE Pin Tied to DVDD)**

In independent PWM mode, the corresponding input pin independently controls each high-side and low-side gate driver. This control mode lets the DRV832x family of devices drive separate high-side and low-side loads with each half-bridge. These types of loads include unidirectional brushed DC motors, solenoids, and low-side and high-side switches. In this mode, if the system is configured in a half-bridge configuration, turning on both the high-side and low-side MOSFETs at the same time causes shoot-through.

**Table 6. Independent PWM Mode Truth Table**

| INLx | INHx | GLx | GHx |
|------|------|-----|-----|
| 0    | 0    | L   | L   |
| 0    | 1    | L   | H   |
| 1    | 0    | H   | L   |
| 1    | 1    | H   | H   |



Because the high-side and low-side  $V_{DS}$  overcurrent monitors share the SHx sense line, using the monitors when both the high-side and low-side gate drivers of one half-bridge are split and being used is not possible. In this case, connect the SHx pin to the high-side driver and disable the  $V_{DS}$  overcurrent monitors as shown in Figure 20.

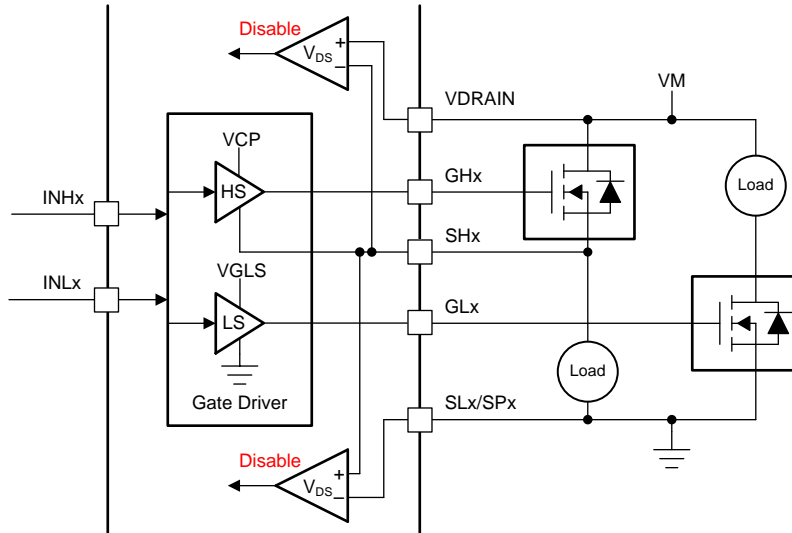


Figure 20. Independent PWM High-Side and Low-Side Drivers

If the half-bridge is used to implement only a high-side or low-side driver, using the  $V_{DS}$  overcurrent monitors is still possible. Connect the SHx pin as shown in Figure 21 or Figure 22. The unused gate driver and the corresponding input can stay disconnected.

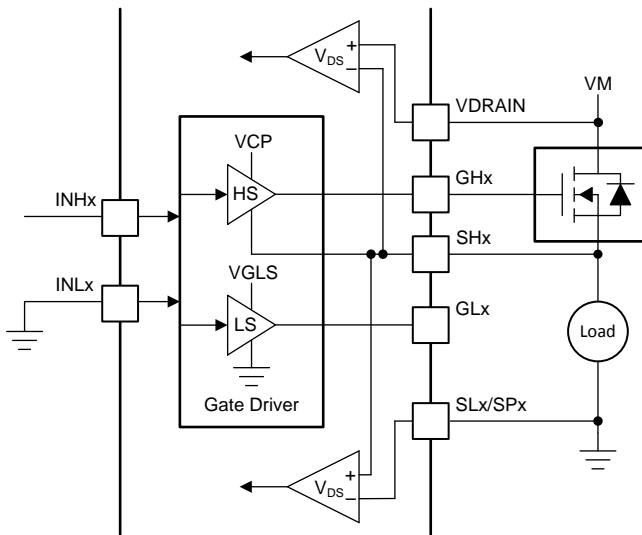


Figure 21. One High-Side Driver

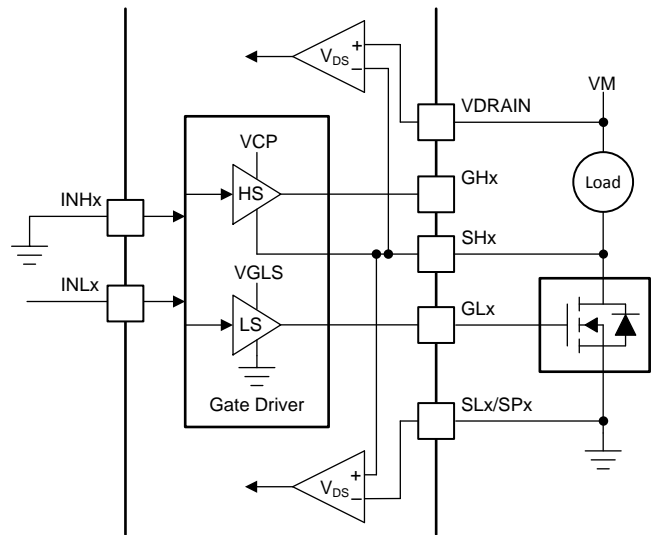


Figure 22. One Low-Side Driver

### 8.3.1.2 Device Interface Modes

The DRV832x family of devices supports two different interface modes (SPI and hardware) to let the end application design for either flexibility or simplicity. The two interface modes share the same four pins, allowing the different versions to be pin-to-pin compatible. This compatibility lets application designers evaluate with one interface version and potentially switch to another with minimal modifications to their design.

### 8.3.1.2.1 Serial Peripheral Interface (SPI)

The SPI devices support a serial communication bus that lets an external controller send and receive data with the DRV832x. This support lets the external controller configure device settings and read detailed fault information. The interface is a four wire interface using the SCLK, SDI, SDO, and nSCS pins which are described as follows:

- The SCLK pin is an input that accepts a clock signal to determine when data is captured and propagated on the SDI and SDO pins.
- The SDI pin is the data input.
- The SDO pin is the data output. The SDO pin uses an open-drain structure and requires an external pullup resistor.
- The nSCS pin is the chip select input. A logic low signal on this pin enables SPI communication with the DRV832x.

For more information on the SPI, see the [SPI Communication](#) section.

### 8.3.1.2.2 Hardware Interface

Hardware interface devices convert the four SPI pins into four resistor-configurable inputs which are GAIN, IDRIVE, MODE, and VDS. This conversion lets the application designer configure the most common device settings by tying the pin logic high or logic low, or with a simple pullup or pulldown resistor. This removes the requirement for an SPI bus from the external controller. General fault information can still be obtained through the nFAULT pin.

- The GAIN pin configures the gain of the current sense amplifier.
- The IDRIVE pin configures the gate drive current strength.
- The MODE pin configures the PWM control mode.
- The VDS pin configures the voltage threshold of the  $V_{DS}$  overcurrent monitors.

For more information on the hardware interface, see the [Pin Diagrams](#) section.

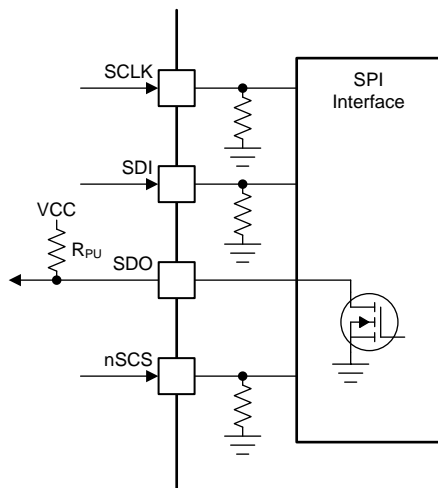


Figure 23. SPI

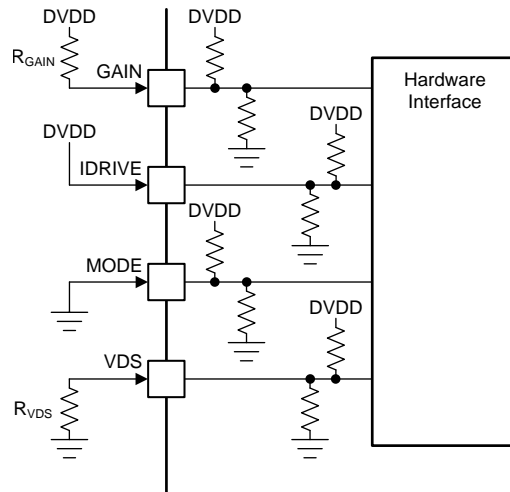
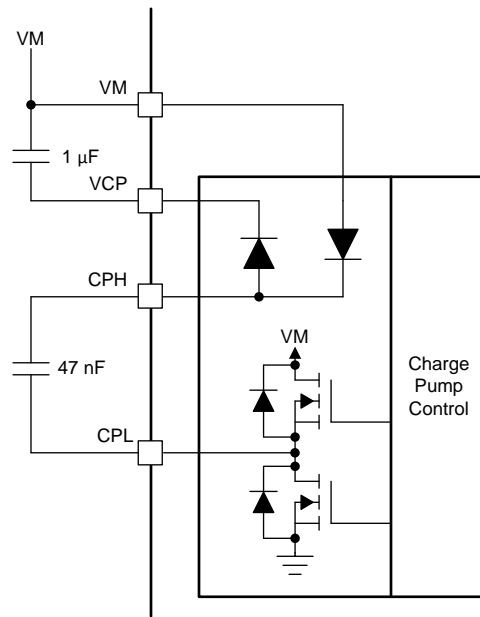


Figure 24. Hardware Interface

### 8.3.1.3 Gate Driver Voltage Supplies

The voltage supply for the high-side gate driver is created using a doubler charge pump that operates from the VM voltage supply input. The charge pump lets the gate driver correctly bias the high-side MOSFET gate with respect to the source across a wide input supply voltage range. The charge pump is regulated to keep a fixed output voltage of  $V_{VM} + 11\text{ V}$  and supports an average output current of 25 mA. When  $V_{VM}$  is less than 12 V, the charge pump operates in full doubler mode and generates  $V_{VCP} = 2 \times V_{VM} - 1.5\text{ V}$  when unloaded. The charge pump is continuously monitored for undervoltage events to prevent under-driven MOSFET conditions. The charge pump requires a X5R or X7R, 1- $\mu\text{F}$ , 16-V ceramic capacitor between the VM and VCP pins to act as the storage capacitor. Additionally, a X5R or X7R, 47-nF, VM-rated ceramic capacitor is required between the CPH and CPL pins to act as the flying capacitor.



**Figure 25. Charge Pump Architecture**

The voltage supply of the low-side gate driver is created using a linear regulator that operates from the VM voltage supply input. The linear regulator lets the gate driver correctly bias the low-side MOSFET gate with respect to ground. The linear regulator output is fixed at 11 V and supports an output current of 25 mA.

#### 8.3.1.4 Smart Gate Drive Architecture

The DRV832x gate drivers use an adjustable, complimentary, push-pull topology for both the high-side and low-side drivers. This topology allows for both a strong pullup and pulldown of the external MOSFET gates.

Additionally, the gate drivers use a Smart Gate Drive architecture to provide additional control of the external power MOSFETs, additional steps to protect the MOSFETs, and optimal tradeoffs between efficiency and robustness. This architecture is implemented through two components called IDRIVE and TDRIVE which are described in the [IDRIVE: MOSFET Slew-Rate Control](#) section and [TDRIVE: MOSFET Gate Drive Control](#) section. [Figure 26](#) shows the high-level functional block diagram of the gate driver.

The IDRIVE gate drive current and TDRIVE gate drive time should be initially selected based on the parameters of the external power MOSFET used in the system and the desired rise and fall times (see the [Application and Implementation](#) section).

The high-side gate driver also implements a Zener clamp diode to help protect the external MOSFET gate from overvoltage conditions in the case of external short-circuit events on the MOSFET.

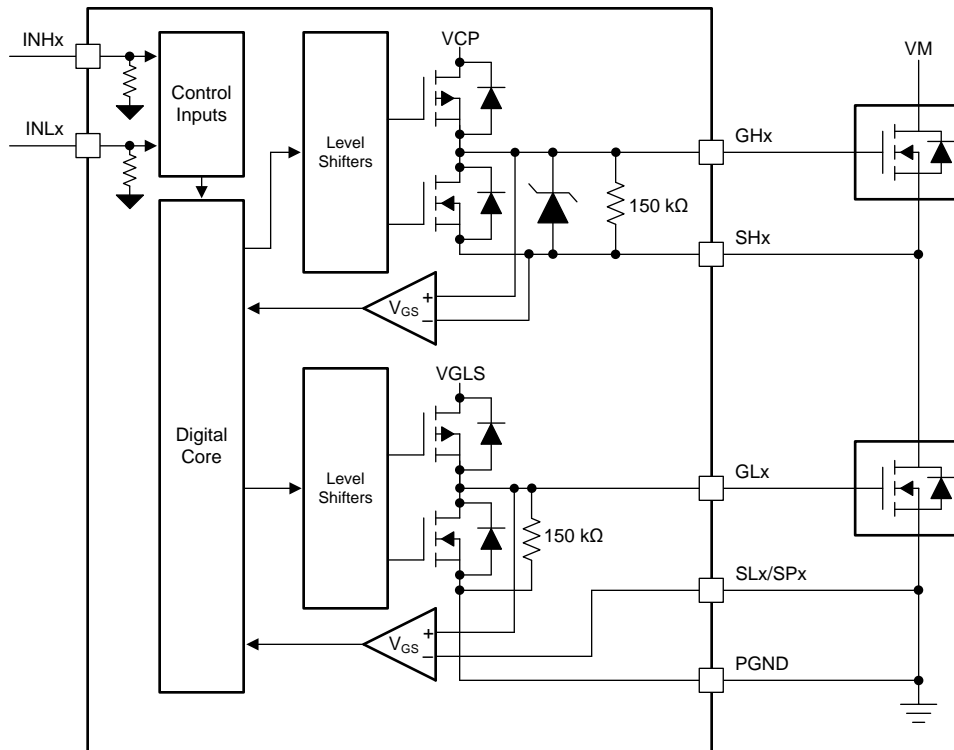


Figure 26. Gate Driver Block Diagram

#### 8.3.1.4.1 IDRIVE: MOSFET Slew-Rate Control

The IDRIVE component implements adjustable gate drive current to control the MOSFET  $V_{DS}$  slew rates. The MOSFET  $V_{DS}$  slew rates are a critical factor for optimizing radiated emissions, energy, and duration of diode recovery spikes,  $dV/dt$  gate turnon resulting in shoot-through, and switching voltage transients related to parasitics in the external half-bridge. The IDRIVE component operates on the principal that the MOSFET  $V_{DS}$  slew rates are predominately determined by the rate of gate charge (or gate current) delivered during the MOSFET  $Q_{GD}$  or Miller charging region. By letting the gate driver adjust the gate current, the gate driver can effectively control the slew rate of the external power MOSFETs.

The IDRIVE component lets the DRV832x family of devices dynamically switch between gate drive currents either through a register setting on SPI devices or the IDRIVE pin on hardware interface devices. The SPI devices provide 16  $I_{DRIVE}$  settings ranging from 10-mA to 1-A source and 20-mA to 2-A sink. Hardware interface devices provide 7  $I_{DRIVE}$  settings within the same ranges. The setting of the gate drive current is delivered to the gate during the turnon and turnoff of the external power MOSFET for the  $t_{DRIVE}$  duration. After the MOSFET turnon or turnoff, the gate driver switches to a smaller hold  $I_{HOLD}$  current to improve the gate driver efficiency. For additional details on the IDRIVE settings, see the [Register Maps](#) section for the SPI devices and the [Pin Diagrams](#) section for the hardware interface devices.

#### 8.3.1.4.2 TDRIVE: MOSFET Gate Drive Control

The TDRIVE component is an integrated gate drive state machine that provides automatic dead time insertion through handshaking between the high-side and low-side gate drivers, parasitic  $dV/dt$  gate turnon prevention, and MOSFET gate fault detection.

The first component of the TDRIVE state machine is automatic dead time insertion. Dead time is period of time between the switching of the external high-side and low-side MOSFETs to make sure that they do not cross conduct and cause shoot-through. The DRV832x family of devices uses  $V_{GS}$  voltage monitors to measure the MOSFET gate-to-source voltage and determine the correct time to switch instead of relying on a fixed time value. This feature lets the dead time of the gate driver adjust for variation in the system such as temperature drift and variation in the MOSFET parameters. An additional digital dead time ( $t_{DEAD}$ ) can be inserted and is adjustable through the registers on SPI devices.

The second component of the TDRIVE state machine is parasitic dV/dt gate turnon prevention. To implement this component, the TDRIVE state machine enables a strong pulldown current ( $I_{STRONG}$ ) on the opposite MOSFET gate whenever a MOSFET is switching. The strong pulldown occurs for the TDRIVE duration. This feature helps remove parasitic charge that couples into the MOSFET gate when the voltage half-bridge switch node slews rapidly.

The third component of the TDRIVE state machine implements a scheme for gate fault detection to detect pin-to-pin solder defects, a MOSFET gate failure, or stuck-high or stuck-low voltage condition on a MOSFET gate. This implementation occurs with a pair of  $V_{GS}$  gate-to-source voltage monitors for each half-bridge gate driver. When the gate driver receives a command to change the state of the half-bridge, it starts to monitor the gate voltage of the external MOSFET. If the  $V_{GS}$  voltage has not reached the correct threshold at the end of the  $t_{DRIVE}$  period,, the gate driver reports a fault. To make sure that a false fault is not detected, a  $t_{DRIVE}$  time should be selected that is longer than the time required to charge or discharge the MOSFET gate. The  $t_{DRIVE}$  time does not increase the PWM time and will terminate if another PWM command is received while active. For additional details on the TDRIVE settings, see the [Register Maps](#) section for SPI devices. The hardware interface devices have a fixed  $t_{DRIVE}$  of 4  $\mu$ s.

Figure 27 shows an example of the TDRIVE state machine in operation.

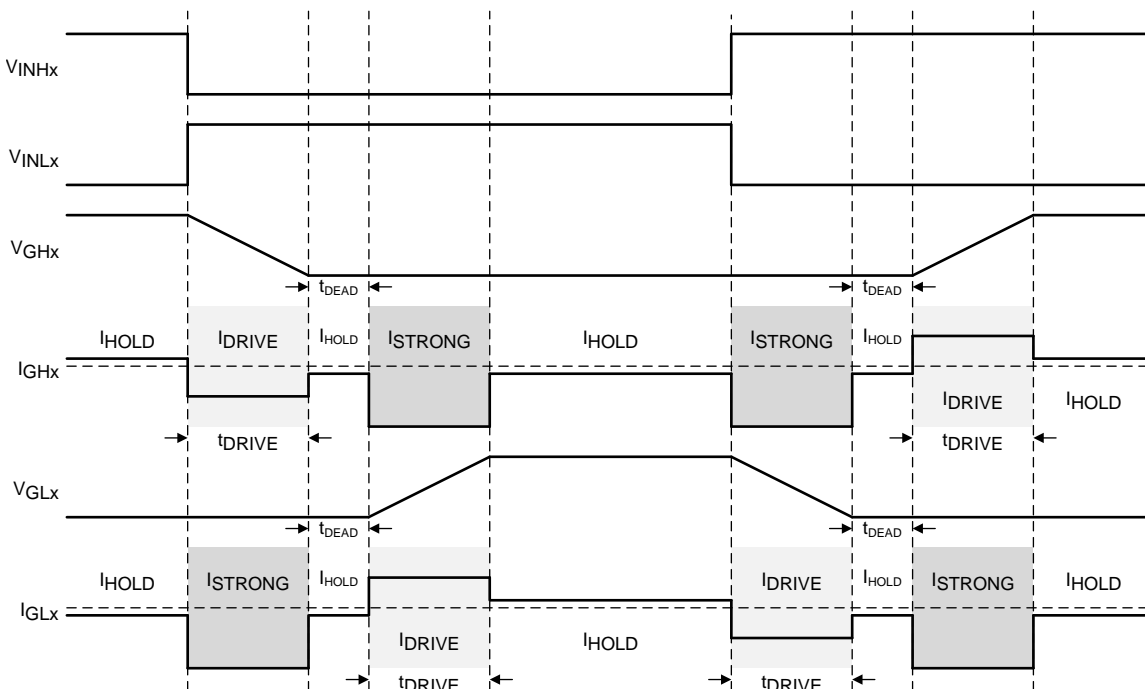


Figure 27. TDRIVE State Machine

#### 8.3.1.4.3 Propagation Delay

The propagation delay time ( $t_{pd}$ ) is measured as the time between an input logic edge to a detected output change. This time has three parts consisting of the digital input deglitcher delay, the digital propagation delay, and the delay through the analog gate drivers.

The input deglitcher prevents high-frequency noise on the input pins from affecting the output state of the gate drivers. To support multiple control modes and dead time insertion, a small digital delay is added as the input command propagates through the device. Lastly, the analog gate drivers have a small delay that contributes to the overall propagation delay of the device.

#### 8.3.1.4.4 MOSFET $V_{DS}$ Monitors

The gate drivers implement adjustable  $V_{DS}$  voltage monitors to detect overcurrent or short-circuit conditions on the external power MOSFETs. When the monitored voltage is greater than the  $V_{DS}$  trip point ( $V_{VDS\_OCP}$ ) for longer than the deglitch time ( $t_{OCP}$ ), an overcurrent condition is detected and action is taken according to the device  $V_{DS}$  fault mode.

The high-side  $V_{DS}$  monitors measure the voltage between the VDRAIN and SHx pins. In devices with three current sense amplifiers (DRV8323 and DRV8323R), the low-side  $V_{DS}$  monitors measure the voltage between the SHx and SPx pins. If the current sense amplifier is unused, tie the SP pins to the common ground point of the external half-bridges. On device options without the current sense amplifiers (DRV8320 and DRV8320R) the low-side  $V_{DS}$  monitor measures between the SHx and SLx pins.

For the SPI devices, the reference point of the low-side  $V_{DS}$  monitor can be changed between the SPx and SNx pins if desired with the LS\_REF register setting.

The  $V_{VDS\_OCP}$  threshold is programmable from 0.06 V to 1.88 V. For additional information on the  $V_{DS}$  monitor levels, see the [Register Maps](#) section for SPI devices and in the [Pin Diagrams](#) section hardware interface device.

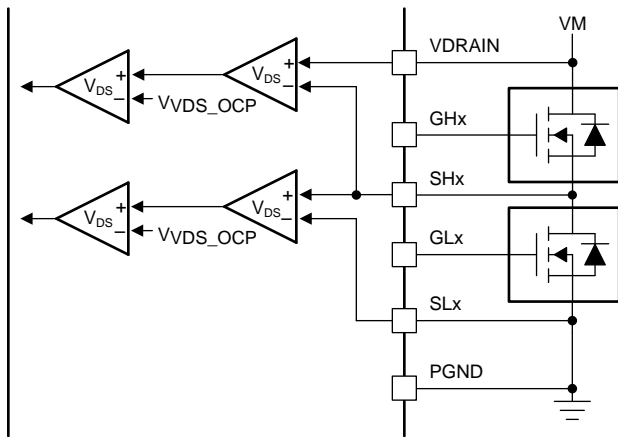


Figure 28. DRV8320 and DRV8320R  $V_{DS}$  Monitors

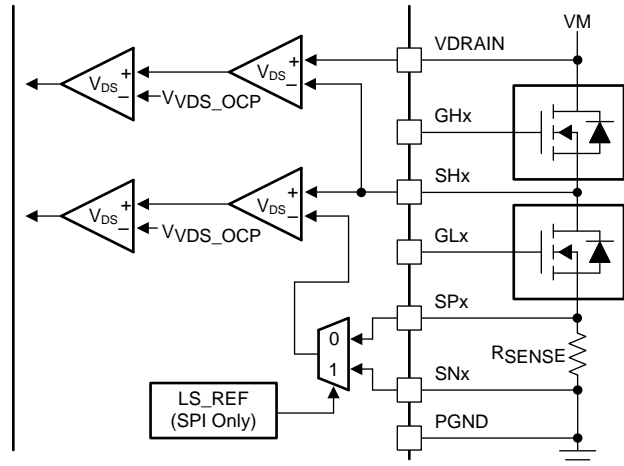


Figure 29. DRV8323 and DRV8323R  $V_{DS}$  Monitors

#### 8.3.1.4.5 VDRAIN Sense Pin

The DRV832x family of devices provides a separate sense pin for the common point of the high-side MOSFET drain. This pin is called VDRAIN. This pin lets the sense line for the overcurrent monitors (VDRAIN) and the power supply (VM) stay separate and prevent noise on the VDRAIN sense line. This separation also lets implementation of a small filter on the gate driver supply (VM) or insertion of a boost converter to support lower voltage operation if desired. Care must still be used when designing the filter or separate supply because VM is still the reference point for the VCP charge pump that supplies the high-side gate drive voltage ( $V_{GSH}$ ). The VM supply must not drift too far from the VDRAIN supply to avoid violating the  $V_{GS}$  voltage specification of the external power MOSFETs.

#### 8.3.2 DVDD Linear Voltage Regulator

A 3.3-V, 30-mA linear regulator is integrated into the DRV832x family of devices and is available for use by external circuitry. This regulator can provide the supply voltage for a low-power MCU or other circuitry supporting low current. The output of the DVDD regulator should be bypassed near the DVDD pin with a X5R or X7R, 1- $\mu$ F, 6.3-V ceramic capacitor routed directly back to the adjacent AGND ground pin.

The DVDD nominal, no-load output voltage is 3.3 V. When the DVDD load current exceeds 30 mA, the regulator functions like a constant-current source. The output voltage drops significantly with a current load greater than 30 mA.

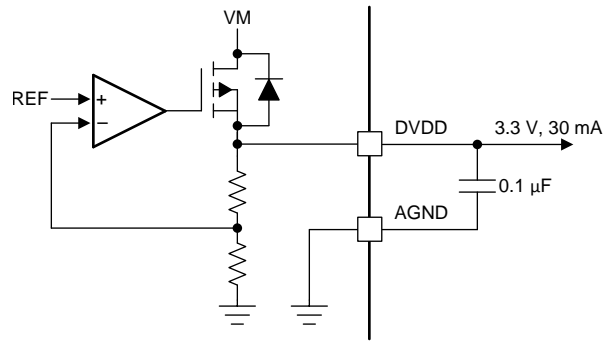


Figure 30. DVDD Linear Regulator Block Diagram

Use Equation 1 to calculate the power dissipated in the device by the DVDD linear regulator.

$$P = (V_{VM} - V_{DVDD}) \times I_{DVDD} \quad (1)$$

For example, at a  $V_{VM}$  of 24 V, drawing 20 mA out of DVDD results in a power dissipation as shown in Equation 2.

$$P = (24 \text{ V} - 3.3 \text{ V}) \times 20 \text{ mA} = 414 \text{ mW} \quad (2)$$

### 8.3.3 Pin Diagrams

Figure 31 shows the input structure for the logic level pins, INHx, INLx, CAL, ENABLE, nSCS, SCLK, and SDI. The input can be driven with a voltage or external resistor.

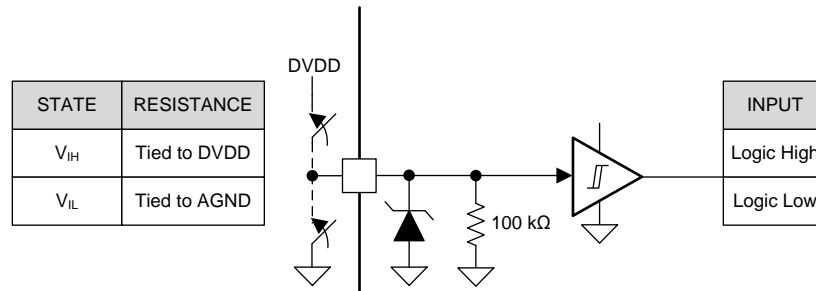


Figure 31. Logic-Level Input Pin Structure

Figure 32 shows the structure of the four level input pins, MODE and GAIN, on hardware interface devices. The input can be set with an external resistor.

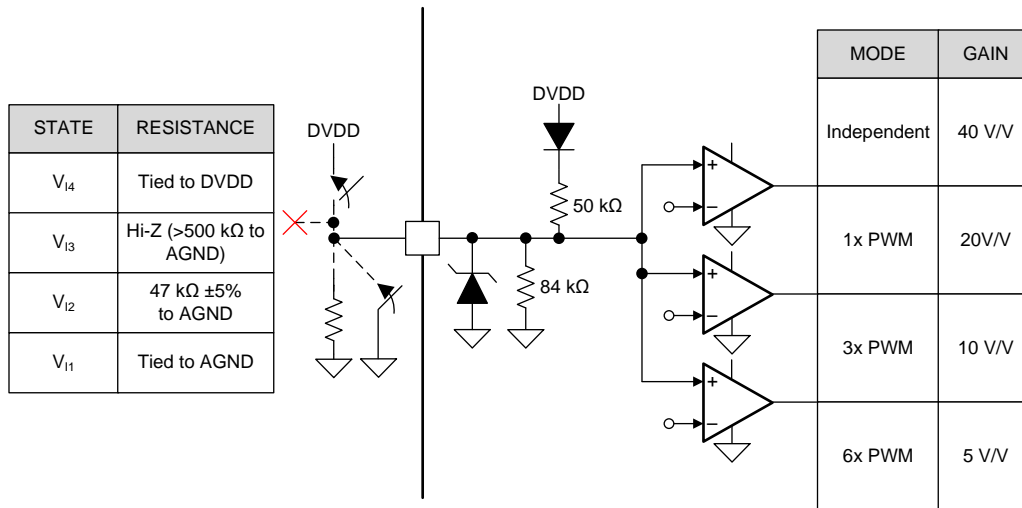


Figure 32. Four Level Input Pin Structure

Figure 33 shows the structure of the seven level input pins, IDRIVE and VDS, on hardware interface devices. The input can be set with an external resistor.

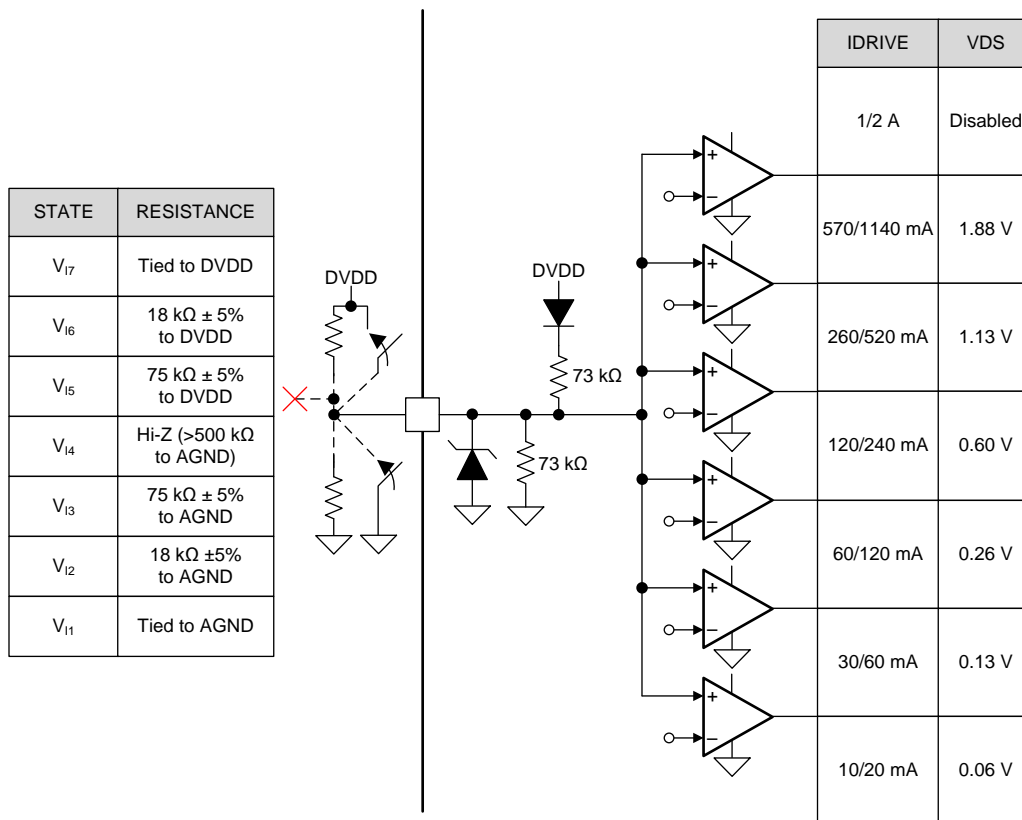


Figure 33. Seven Level Input Pin Structure



Figure 34 shows the structure of the open-drain output pins, nFAULT and SDO. The open-drain output requires an external pullup resistor to function correctly.

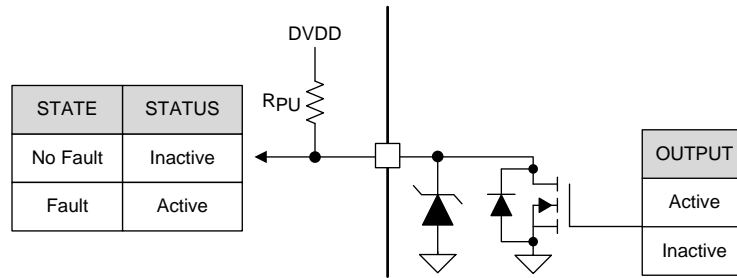


Figure 34. Open-Drain Output Pin Structure

### 8.3.4 Low-Side Current Sense Amplifiers (DRV8323 and DRV8323R Only)

The DRV8323 and DRV8323R integrate three, high-performance low-side current sense amplifiers for current measurements using low-side shunt resistors in the external half-bridges. Low-side current measurements are commonly used to implement overcurrent protection, external torque control, or brushless DC commutation with the external controller. All three amplifiers can be used to sense the current in each of the half-bridge legs or one amplifier can be used to sense the sum of the half-bridge legs. The current sense amplifiers include features such as programmable gain, offset calibration, unidirectional and bidirectional support, and a voltage reference pin (VREF). If any of the three current sense amplifiers are not being used, they can be tied off by shorting the SNx pin to the SPx pin and leaving the SOx pin unconnected. Remember to connect the SPx or SNx pin to the low-side FET source, so that the overcurrent VDS monitor is still functional

#### 8.3.4.1 Bidirectional Current Sense Operation

The SOx pin on the DRV8323 and DRV8323R outputs an analog voltage equal to the voltage across the SPx and SNx pins multiplied by the gain setting ( $G_{CSA}$ ). The gain setting is adjustable between four different levels (5 V/V, 10 V/V, 20 V/V, and 40 V/V). Use Equation 3 to calculate the current through the shunt resistor.

$$I = \frac{V_{VREF} - V_{SOx}}{G_{CSA} \times R_{SENSE}} \quad (3)$$

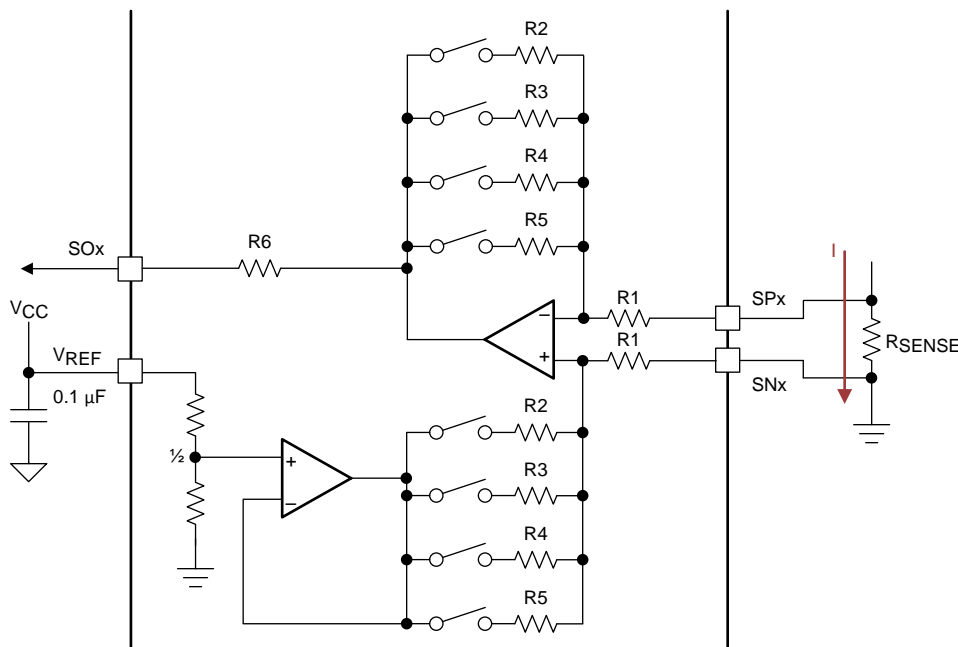


Figure 35. Bidirectional Current Sense Configuration

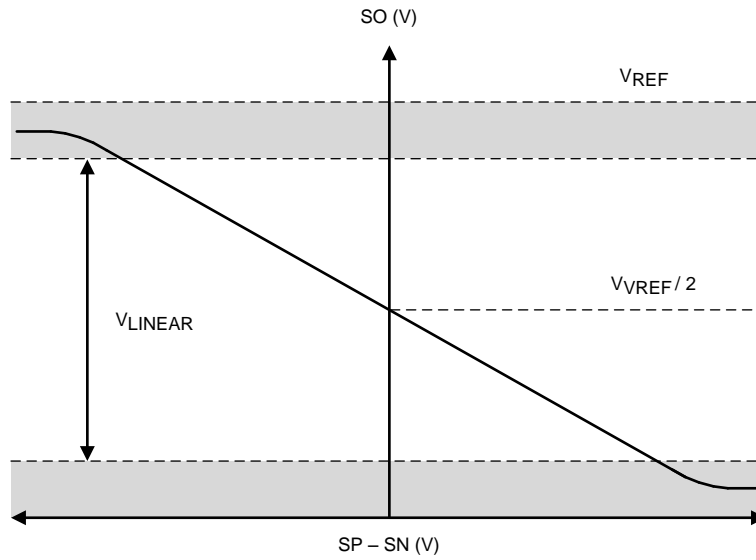


Figure 36. Bidirectional Current Sense Output

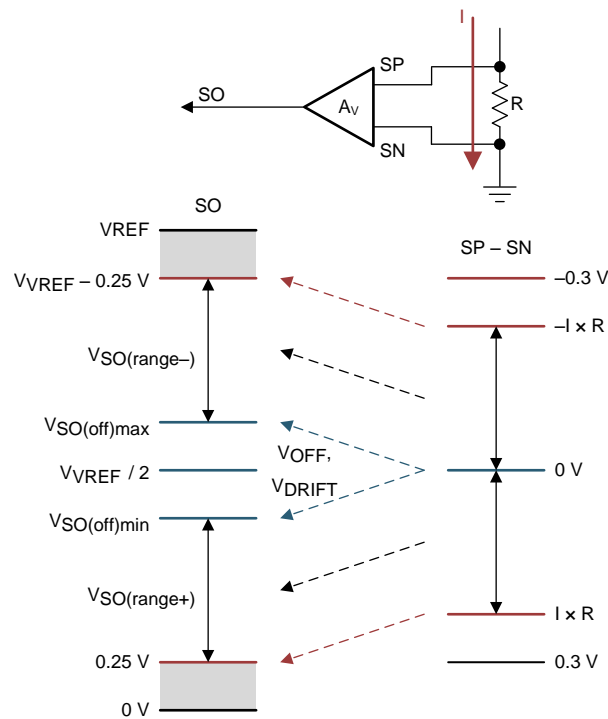


Figure 37. Bidirectional Current Sense Regions

### 8.3.4.2 Unidirectional Current Sense Operation (SPI only)

On the DRV8323 and DRV8323R SPI devices, use the VREF\_DIV bit to remove the VREF divider. In this case the current sense amplifier operates unidirectionally and the SOx pin outputs an analog voltage equal to the voltage across the SPx and SNx pins multiplied by the gain setting ( $G_{CSA}$ ). Use Equation 4 to calculate the current through the shunt resistor.

$$I = \frac{V_{VREF} - V_{SOx}}{G_{CSA} \times R_{SENSE}} \quad (4)$$

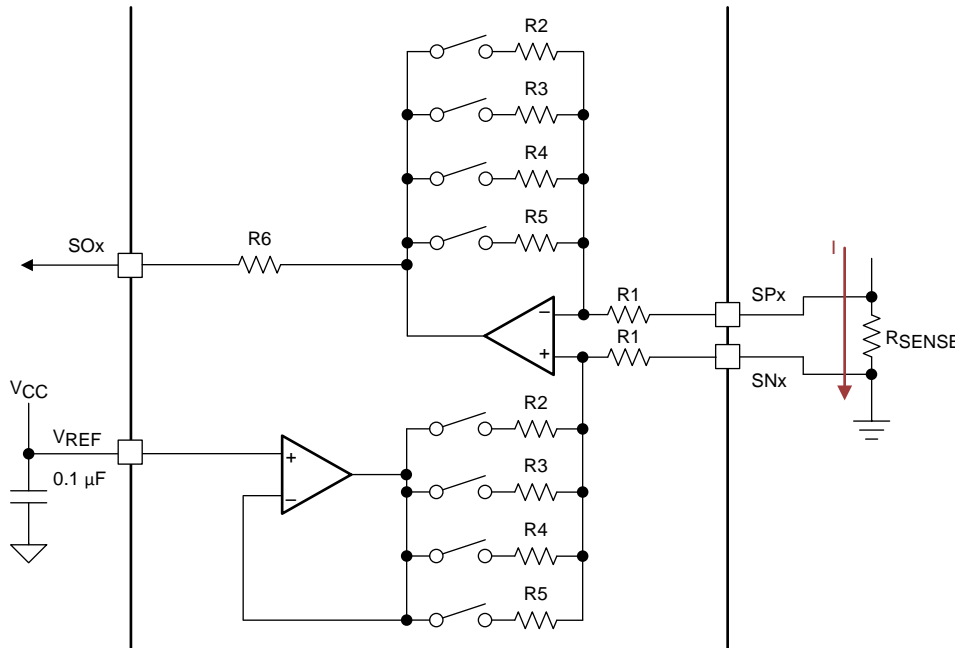


Figure 38. Unidirectional Current-Sense Configuration

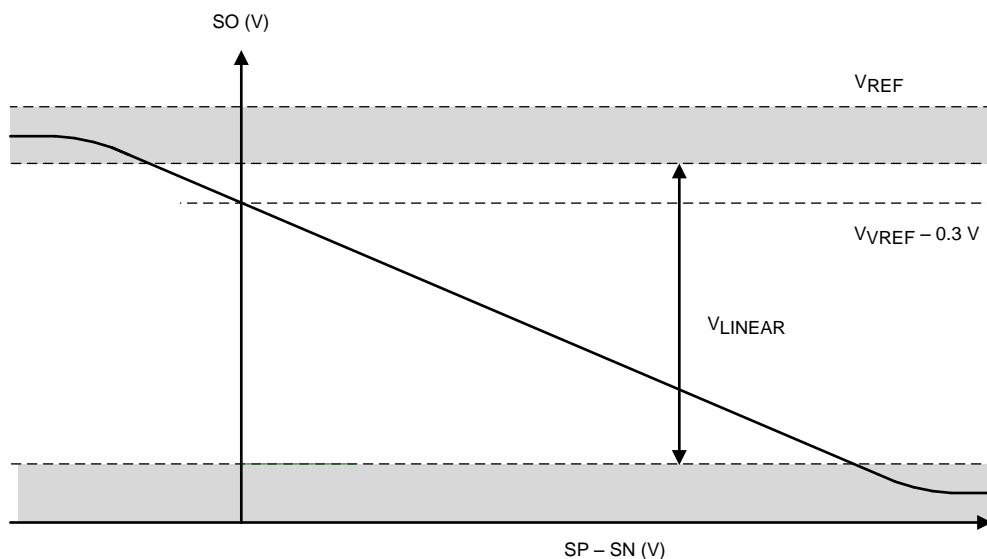


Figure 39. Unidirectional Current-Sense Output

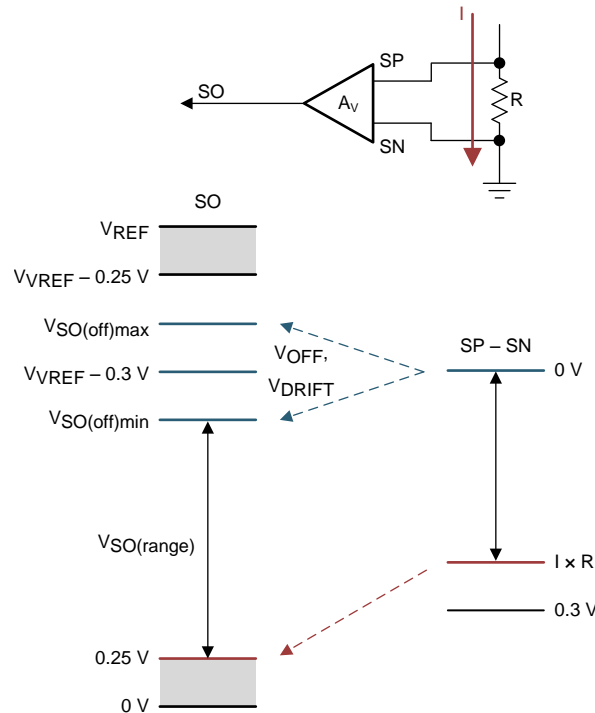


Figure 40. Unidirectional Current-Sense Regions

### 8.3.4.3 Auto Offset Calibration

To minimize DC offset, the DRV8323 and DRV8323R devices can perform an automatic offset calibration through the SPI registers (CSA\_CAL\_X) or CAL pin. When the calibration is enabled, the inputs to the amplifier are shorted, the load is disconnected, and the gain ( $G_{CSA}$ ) of the amplifier is changed to the 40 V/V setting. The amplifier then goes through an automatic trim routine to minimize the input offset. The automatic trim routine requires 100  $\mu$ s to complete after the calibration is enabled. After this time, the inputs of the amplifier stay shorted, the load stays disconnected, and the gain stays at 40 V/V if further offset calibration is desired to be done by the external controller. To complete the offset calibration, the CSA\_CAL\_X registers or CAL pin should be taken back low. The gain is returned to the original gain setting after the device completes calibration. For the best results, perform offset calibration when the external MOSFETs are not switching to decrease the potential noise impact to the amplifier. When the current sense amplifiers go into a calibration mode, the VREF pin is set to bidirectional mode if the device is configured in unidirectional mode. The setting of the VREF pin affects the channels all three current sense amplifier, even if the CSA\_CAL\_X register is not set for the all channels.

### 8.3.4.4 MOSFET $V_{DS}$ Sense Mode (SPI Only)

The current sense amplifiers on the DRV8323 and DRV8323R SPI devices can be configured to amplify the voltage across the external low-side MOSFET  $V_{DS}$ . This configuration lets the external controller measure the voltage drop across the MOSFET  $R_{DS(on)}$  without the shunt resistor and then calculate the half-bridge current level.

To enable this mode set the CSA\_FET bit to 1. The positive input of the amplifier is then internally connected to the SHx pin with an internal clamp to prevent high voltage on the SHx pin from damaging the sense amplifier inputs. During this mode of operation, the SPx pins should stay disconnected. When the CSA\_FET bit is set to 1, the negative reference for the low-side  $V_{DS}$  monitor is automatically set to the SNx pin, regardless of the state of the state of the LS\_REF bit. This setting is implemented to prevent disabling of the low-side  $V_{DS}$  monitor.

If the system operates in MOSFET  $V_{DS}$  current sense mode, route the SHx and SNx pins with Kelvin connections across the drain and source of the external low-side MOSFETs.

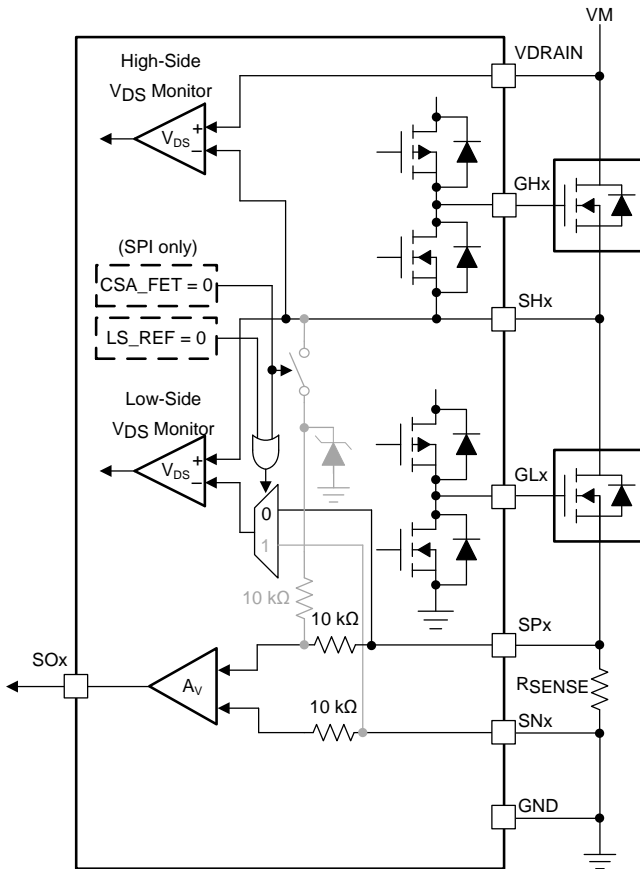


Figure 41. Resistor Sense Configuration

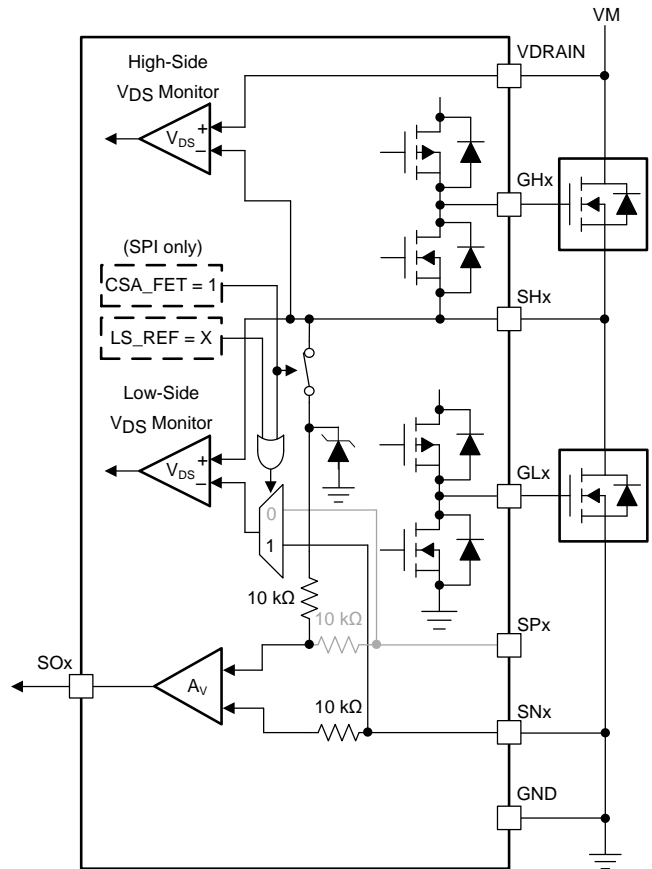


Figure 42.  $V_{DS}$  Current Sense Mode

When operating in MOSFET  $V_{DS}$  current sense mode, the amplifier is enabled at the end of the  $t_{DRIVE}$  time. At this time, the amplifier input is connected to the SHx pin, and the SOx output is valid. When the low-side MOSFET receives a signal to turn off, the amplifier inputs, SPx and SNx, are shorted together internally.

### 8.3.5 Step-Down Buck Regulator

The DRV8320R and DRV8323R have an integrated buck regulator (LMR16006) to supply power for an external controller or system voltage rail. The LMR16006 device is a 60-V, 600-mA, buck (step-down) regulator.

The buck regulator has a very-low quiescent current during light loads to prolong battery life. The LMR16006 device improves performance during line and load transients by implementing a constant-frequency current-mode control scheme which requires less output capacitance and simplifies frequency compensation design. The LMR16006 is the LMR16006X device version that uses a 0.7-MHz switching frequency.

The LMR16006 device decreases the external component count by integrating the bootstrap recharge diode. The bias voltage for the integrated high-side MOSFET is supplied by a capacitor on the CB to SW pin. The bootstrap capacitor voltage is monitored by a UVLO circuit and turns off the high-side MOSFET when the boot voltage falls lower than a preset threshold.

The LMR16006 device can operate at high duty cycles because of the boot UVLO and then refreshes the wimp MOSFET. The output voltage can be stepped down to as low as the 0.8-V reference. The internal soft-start feature minimizes inrush currents.

For additional details, a block diagram showing the wimp MOSFET, and design information refer to the [LMR16006 SIMPLE SWITCHER® 60 V 0.6 A Buck Regulators With High Efficiency Eco-mode data sheet](#).

### 8.3.5.1 Fixed Frequency PWM Control

The LMR16006 device has a fixed switching frequency and implements peak current-mode control. The output voltage is compared through external resistors on the FB pin to an internal voltage reference by an error amplifier which drives the internal COMP node. An internal oscillator initiates the turnon of the high-side power switch. The error amplifier output is compared to the high-side power switch current. When the power switch current reaches the level set by the internal COMP voltage, the power switch turns off. The internal COMP node voltage increases and decreases as the output current increases and decreases. The device implements a current limit by clamping the COMP node voltage to a maximum level.

### 8.3.5.2 Bootstrap Voltage (CB)

The LMR16006 device has an integrated bootstrap regulator, and requires a small ceramic capacitor between the CB and SW pins to provide the gate drive voltage for the high-side MOSFET. The CB capacitor is refreshed when the high-side MOSFET is off and the low-side diode conducts. To improve dropout, the LMR16006 device is designed to operate at 100% duty cycle as long as the CB to SW pin voltage is greater than 3 V. When the voltage from the CB to SW pin drops to less than 3 V, the high-side MOSFET turns off using a UVLO circuit which lets the low-side diode conduct and refresh the charge on the CB capacitor. Because the supply current sourced from the CB capacitor is low, the high-side MOSFET can stay on for more switching cycles than are required to refresh the capacitor. Therefore, the effective duty cycle of the switching regulator is high. Attention must be given in maximum duty-cycle applications with a light load. To make sure the SW pin can be pulled to ground to refresh the CB capacitor, an internal circuit charges the CB capacitor when the load is light or the device is working in dropout condition.

### 8.3.5.3 Output Voltage Setting

The output voltage is set using the feedback pin (FB) and a resistor divider connected to the output as shown in [Figure 51](#). The voltage of the feedback pin is 0.765 V, so the ratio of the feedback resistors sets the output voltage according to [Equation 5](#).

$$V_O = 0.765 \text{ V} \times \left( 1 + \left[ \frac{R1}{R2} \right] \right) \quad (5)$$

Typically the starting value of R2 is from 1 kΩ to 100 kΩ. Use [Equation 6](#) to calculate the value of R1.

$$R1 = R2 \times \left( \left[ \frac{V_O}{0.765 \text{ V}} \right] - 1 \right) \quad (6)$$

### 8.3.5.4 Enable nSHDN and VIN Undervoltage Lockout

The nSHDN pin of the LMR16006 device is an input that is tolerant of high voltages with an internal pullup circuit. The device can be enabled even if the nSHDN pin is floating. The regulator can also be turned on using 1.23-V or higher logic signals. If the use of a higher voltage is desired because of system or other constraints, a 100-kΩ or larger value resistor is recommended between the applied voltage and the nSHDN pin to help protect the device. When the nSHDN pin is pulled down to 0 V, the device turns off and goes to the lowest shutdown current mode. In shutdown mode the supply current decreases to approximately 1 μA. If the shutdown function is unused, the nSHDN pin can be tied to the VIN pin with a 100-kΩ resistor. The maximum voltage to the nSHDN pin should not exceed 60 V. The LMR16006 device has an internal UVLO circuit to shut down the output if the input voltage falls lower than an UVLO threshold level that is internally fixed. Shutting down the output in this way makes sure the regulator is not latched into an unknown state during low input voltage conditions. The regulator powers up when the input voltage exceeds the voltage level. If the UVLO voltage must be higher, use the nSHDN pin to adjust the system UVLO by using external resistors.

### 8.3.5.5 Current Limit

The LMR16006 device implements current-mode control which uses the internal COMP voltage to turn off the high-side MOSFET on a cycle-by-cycle basis. Each cycle, the switch current and internal COMP voltage are compared. When the peak switch current intersects the COMP voltage, the high-side switch turns off. During overcurrent conditions that pull the output voltage low, the error amplifier responds by driving the COMP node high, increasing the switch current. The error amplifier output is clamped internally causing it to function as a switch current limit.

### 8.3.5.6 Overvoltage Transient Protection

The LMR16006 device incorporates an overvoltage transient protection (OVTP) circuit to minimize voltage overshoot when recovering from output fault conditions or strong unloaded transients on power supply designs with low-value output capacitance. For example, when the power supply output is overloaded, the error amplifier compares the actual output voltage to the internal reference voltage. If the voltage of the FB pin is lower than the internal reference voltage for a considerable time, the output of the error amplifier responds by clamping the error amplifier output to a high voltage, therefore requesting the maximum output current. When the condition clears, the regulator output rises and the error amplifier output transitions to the steady-state duty cycle. In some applications, the output voltage of the power supply can respond faster than the error amplifier output can respond which can result in output overshoot. The OVTP feature minimizes the output overshoot when using a low-value output capacitor by implementing a circuit to compare the FB pin voltage to the OVTP threshold which is 108% of the internal voltage reference. If the FB pin voltage is greater than the OVTP threshold, the high-side MOSFET is disabled preventing current from flowing to the output and minimizing output overshoot. When the FB voltage drops lower than the OVTP threshold, the high-side MOSFET can turn on at the next clock cycle.

### 8.3.5.7 Thermal Shutdown

The device implements an internal thermal shutdown to help protect the device if the junction temperature exceeds 170°C (typical). The thermal shutdown forces the device to stop switching when the junction temperature exceeds the thermal trip threshold. When the junction temperature decreases to less than 160°C (typical), the device reinitiates the power-up sequence.

### 8.3.6 Gate Driver Protective Circuits

The DRV832x family of devices is protected against VM undervoltage, charge pump undervoltage, MOSFET  $V_{DS}$  overcurrent, gate driver shorts, and overtemperature events.

**Table 7. Fault Action and Response (SPI Devices)**

| FAULT                             | CONDITION                        | CONFIGURATION                     | REPORT | GATE DRIVER | LOGIC    | RECOVERY                                 |
|-----------------------------------|----------------------------------|-----------------------------------|--------|-------------|----------|--|
| VM undervoltage (UVLO)            | $V_{VM} < V_{UVLO}$              | —                                 | nFAULT | Hi-Z        | Disabled | Automatic:<br>$V_{VM} > V_{UVLO}$        |
| Charge pump undervoltage (CPUV)   | $V_{VCP} < V_{CPUV}$             | DIS_CPUV = 0b                     | nFAULT | Hi-Z        | Active   | Automatic:<br>$V_{VCP} > V_{CPUV}$       |
|                                   |                                  | DIS_CPUV = 1b                     | None   | Active      | Active   |  |
| $V_{DS}$ overcurrent (VDS_OCP)    | $V_{DS} > V_{VDS\_OCP}$          | OCP_MODE = 00b                    | nFAULT | Hi-Z        | Active   | Latched:<br>CLR_FLT, ENABLE Pulse        |
|                                   |                                  | OCP_MODE = 01b                    | nFAULT | Hi-Z        | Active   | Retry:<br>$t_{RETRY}$                    |
|                                   |                                  | OCP_MODE = 10b                    | nFAULT | Active      | Active   | No action                                |
|                                   |                                  | OCP_MODE = 11b                    | None   | Active      | Active   | No action                                |
| $V_{SENSE}$ overcurrent (SEN_OCP) | $V_{SP} > V_{SEN\_OCP}$          | OCP_MODE = 00b                    | nFAULT | Hi-Z        | Active   | Latched:<br>CLR_FLT, ENABLE Pulse        |
|                                   |                                  | OCP_MODE = 01b                    | nFAULT | Hi-Z        | Active   | Retry:<br>$t_{RETRY}$                    |
|                                   |                                  | OCP_MODE = 10b                    | nFAULT | Active      | Active   | No action                                |
|                                   |                                  | OCP_MODE = 11b or<br>DIS_SEN = 1b | None   | Active      | Active   | No action                                |
| Gate driver fault (GDF)           | Gate voltage stuck > $t_{DRIVE}$ | DIS_GDF = 0b                      | nFAULT | Hi-Z        | Active   | Latched:<br>CLR_FLT, ENABLE Pulse        |
|                                   |                                  | DIS_GDF = 1b                      | None   | Active      | Active   | No action                                |
| Thermal warning (OTW)             | $T_J > T_{OTW}$                  | OTW_REP = 0b                      | None   | Active      | Active   | No action                                |
|                                   |                                  | OTW_REP = 1b                      | nFAULT | Active      | Active   | Automatic:<br>$T_J < T_{OTW} - T_{HYS}$  |
| Thermal shutdown (OTSD)           | $T_J > T_{OTSD}$                 | —                                 | nFAULT | Hi-Z        | Active   | Automatic:<br>$T_J < T_{OTSD} - T_{HYS}$ |

### 8.3.6.1 VM Supply Undervoltage Lockout (UVLO)

If at any time the input supply voltage on the VM pin falls lower than the  $V_{UVLO}$  threshold, all of the external MOSFETs are disabled, the charge pump is disabled, and the nFAULT pin is driven low. The FAULT and VM\_UVLO bits are also latched high in the registers on SPI devices. Normal operation starts again (gate driver operation and the nFAULT pin is released) when the VM undervoltage condition clears. The VM\_UVLO bit stays set until cleared through the CLR\_FLT bit or an ENABLE pin reset pulse ( $t_{RST}$ ).

### 8.3.6.2 VCP Charge Pump Undervoltage Lockout (CPUV)

If at any time the voltage on the VCP pin (charge pump) falls lower than the  $V_{CPUV}$  threshold voltage of the charge pump, all of the external MOSFETs are disabled and the nFAULT pin is driven low. The FAULT and CPUV bits are also latched high in the registers on SPI devices. Normal operation starts again (gate driver operation and the nFAULT pin is released) when the VCP undervoltage condition clears. The CPUV bit stays set until cleared through the CLR\_FLT bit or an ENABLE pin reset pulse ( $t_{RST}$ ). Setting the DIS\_CPUV bit high on the SPI devices disables this protection feature. On hardware interface devices, the CPUV protection is always enabled.

### 8.3.6.3 MOSFET $V_{DS}$ Overcurrent Protection (VDS\_OCP)

A MOSFET overcurrent event is sensed by monitoring the  $V_{DS}$  voltage drop across the external MOSFET  $R_{DS(on)}$ . If the voltage across an enabled MOSFET exceeds the  $V_{VDS\_OCP}$  threshold for longer than the  $t_{OCP\_DEG}$  deglitch time, a VDS\_OCP event is recognized and action is done according to the OCP\_MODE bit. On hardware interface devices, the  $V_{VDS\_OCP}$  threshold is set with the VDS pin, the  $t_{OCP\_DEG}$  is fixed at 4  $\mu$ s, and the OCP\_MODE bit is configured for 4-ms automatic retry but can be disabled by tying the VDS pin to DVDD. On SPI devices, the  $V_{VDS\_OCP}$  threshold is set through the VDS\_LVL SPI register, the  $t_{OCP\_DEG}$  is set through the OCP\_DEG SPI register, and the OCP\_MODE bit can operate in four different modes:  $V_{DS}$  latched shutdown,  $V_{DS}$  automatic retry,  $V_{DS}$  report only, and  $V_{DS}$  disabled.

#### 8.3.6.3.1 $V_{DS}$ Latched Shutdown (OCP\_MODE = 00b)

After a VDS\_OCP event in this mode, all external MOSFETs are disabled and the nFAULT pin is driven low. When the external MOSFETs are disabled in this way, the driver automatically uses a lower setting for the gate drive current instead of the programmed IDRIVE setting. This setting lets any large current that may be present to be switched off slowly to minimize any inductive kickback caused by parasitic capacitance in the system. The FAULT, VDS\_OCP, and corresponding MOSFET OCP bits are latched high in the SPI registers. Normal operation starts again (gate driver operation and the nFAULT pin is released) when the VDS\_OCP condition clears and a clear faults command is issued either through the CLR\_FLT bit or an ENABLE reset pulse ( $t_{RST}$ ).

#### 8.3.6.3.2 $V_{DS}$ Automatic Retry (OCP\_MODE = 01b)

After a VDS\_OCP event in this mode, all the external MOSFETs are disabled and the nFAULT pin is driven low. When the external MOSFETs are disabled in this way, the driver automatically uses a lower setting for the gate drive current instead of the programmed IDRIVE setting. This setting lets any large current that may be present to be switched off slowly to minimize any inductive kickback caused by parasitic capacitance in the system. The FAULT, VDS\_OCP, and corresponding MOSFET OCP bits are latched high in the SPI registers. Normal operation starts again automatically (gate driver operation and the nFAULT pin is released) after the  $t_{RETRY}$  time elapses. The FAULT, VDS\_OCP, and MOSFET OCP bits stay latched until the  $t_{RETRY}$  period expires.

#### 8.3.6.3.3 $V_{DS}$ Report Only (OCP\_MODE = 10b)

No protective action occurs after a VDS\_OCP event in this mode. The overcurrent event is reported by driving the nFAULT pin low and latching the FAULT, VDS\_OCP, and corresponding MOSFET OCP bits high in the SPI registers. The gate drivers continue to operate as usual. The external controller manages the overcurrent condition by acting appropriately. The reporting clears (nFAULT pin is released) when the VDS\_OCP condition clears and a clear faults command is issued either through the CLR\_FLT bit or an ENABLE reset pulse ( $t_{RST}$ ).

#### 8.3.6.3.4 $V_{DS}$ Disabled (OCP\_MODE = 11b)

No action occurs after a VDS\_OCP event in this mode.



### 8.3.6.4 $V_{SENSE}$ Overcurrent Protection (SEN\_OCP)

Half-bridge overcurrent is also monitored by sensing the voltage drop across the external current sense resistor with the SP pin. If at any time the voltage on the SP input of the CSA exceeds the  $V_{SEN\_OCP}$  threshold for longer than the  $t_{OCP\_DEG}$  deglitch time, a SEN\_OCP event is recognized and action is done according to the OCP\_MODE bit. On hardware interface devices, the  $V_{SENSE}$  threshold is fixed at 1 V,  $t_{OCP\_DEG}$  is fixed at 4  $\mu$ s, and the OCP\_MODE for  $V_{SENSE}$  is fixed for 4-ms automatic retry. On SPI devices, the  $V_{SENSE}$  threshold is set through the SEN\_LVL SPI register, the  $t_{OCP\_DEG}$  is set through the OCP\_DEG SPI register, and the OCP\_MODE bit can operate in four different modes:  $V_{SENSE}$  latched shutdown,  $V_{SENSE}$  automatic retry,  $V_{SENSE}$  report only, and  $V_{SENSE}$  disabled.

#### 8.3.6.4.1 $V_{SENSE}$ Latched Shutdown (OCP\_MODE = 00b)

After a SEN\_OCP event in this mode, all the external MOSFETs are disabled and the nFAULT pin is driven low. The FAULT and SEN\_OCP bits are latched high in the SPI registers. Normal operation starts again (gate driver operation and the nFAULT pin is released) when the SEN\_OCP condition clears and a clear faults command is issued either through the CLR\_FLT bit or an ENABLE reset pulse ( $t_{RST}$ ).

#### 8.3.6.4.2 $V_{SENSE}$ Automatic Retry (OCP\_MODE = 01b)

After a SEN\_OCP event in this mode, all the external MOSFETs are disabled and the nFAULT pin is driven low. The FAULT, SEN\_OCP, and corresponding sense OCP bits are latched high in the SPI registers. Normal operation starts again automatically (gate driver operation and the nFAULT pin is released) after the  $t_{RETRY}$  time elapses. The FAULT, SEN\_OCP, and sense OCP bits stay latched until the  $t_{RETRY}$  period expires.

#### 8.3.6.4.3 $V_{SENSE}$ Report Only (OCP\_MODE = 10b)

No protective action occurs after a SEN\_OCP event in this mode. The overcurrent event is reported by driving the nFAULT pin low and latching the FAULT and SEN\_OCP bits high in the SPI registers. The gate drivers continue to operate. The external controller manages the overcurrent condition by acting appropriately. The reporting clears (nFAULT released) when the SEN\_OCP condition clears and a clear faults command is issued either through the CLR\_FLT bit or an ENABLE reset pulse ( $t_{RST}$ ).

#### 8.3.6.4.4 $V_{SENSE}$ Disabled (OCP\_MODE = 11b or DIS\_SEN = 1b)

No action occurs after a SEN\_OCP event in this mode. The SEN\_OCP bit can be disabled independently of the VDS\_OCP bit by using the DIS\_SEN SPI register.

### 8.3.6.5 Gate Driver Fault (GDF)

The GHx and GLx pins are monitored such that if the voltage on the external MOSFET gate does not increase or decrease after the  $t_{DRIVE}$  time, a gate driver fault is detected. This fault may be encountered if the GHx or GLx pins are shorted to the PGND, SHx, or VM pins. Additionally, a gate driver fault may be encountered if the selected  $I_{DRIVE}$  setting is not sufficient to turn on the external MOSFET within the  $t_{DRIVE}$  period. After a gate drive fault is detected, all external MOSFETs are disabled and the nFAULT pin driven low. In addition, the FAULT, GDF, and corresponding VGS bits are latched high in the SPI registers. Normal operation starts again (gate driver operation and the nFAULT pin is released) when the gate driver fault condition clears and a clear faults command is issued either through the CLR\_FLT bit or an ENABLE reset pulse ( $t_{RST}$ ). On SPI devices, setting the DIS\_GDF bit high disables this protection feature.

Gate driver faults can indicate that the selected  $I_{DRIVE}$  or  $t_{DRIVE}$  settings are too low to slew the external MOSFET in the desired time. Increasing either the  $I_{DRIVE}$  or  $t_{DRIVE}$  setting can resolve gate driver faults in these cases. Alternatively, if a gate-to-source short occurs on the external MOSFET, a gate driver fault is reported because of the MOSFET gate not turning on.

### 8.3.6.6 Thermal Warning (OTW)

If the die temperature exceeds the trip point of the thermal warning ( $T_{OTW}$ ), the OTW bit is set in the registers of SPI devices. The device performs no additional action and continues to function. When the die temperature falls lower than the hysteresis point of the thermal warning, the OTW bit clears automatically. The OTW bit can also be configured to report on the nFAULT pin by setting the OTW\_REP bit to 1 through the SPI registers.

### 8.3.6.7 Thermal Shutdown (OTSD)

If the die temperature exceeds the trip point of the thermal shutdown limit ( $T_{OTSD}$ ), all the external MOSFETs are disabled, the charge pump is shut down, and the nFAULT pin is driven low. In addition, the FAULT and TSD bits are latched high. Normal operation starts again (gate driver operation and the nFAULT pin is released) when the overtemperature condition clears. The TSD bit stays latched high indicating that a thermal event occurred until a clear fault command is issued either through the CLR\_FLT bit or an ENABLE reset pulse ( $t_{RST}$ ). This protection feature cannot be disabled.

## 8.4 Device Functional Modes

### 8.4.1 Gate Driver Functional Modes

#### 8.4.1.1 Sleep Mode

The ENABLE pin manages the state of the DRV832x family of devices. When the ENABLE pin is low, the device goes to a low-power sleep mode. In sleep mode, all gate drivers are disabled, sense amplifiers (if present) are disabled, all external MOSFETs are disabled, the charge pump is disabled, the DVDD regulator is disabled, and the SPI bus is disabled. The LMR16006X buck regulator (if present) is not controlled by the ENABLE pin and can be operated independently of the gate driver. The  $t_{SLEEP}$  time must elapse after a falling edge on the ENABLE pin before the device goes to sleep mode. The device comes out of sleep mode automatically if the ENABLE pin is pulled high. The  $t_{WAKE}$  time must elapse before the device is ready for inputs.

In sleep mode and when  $V_{VM} < V_{UVLO}$ , all external MOSFETs are disabled. The high-side gate pins, GHx, are pulled to the SHx pin by an internal resistor and the low-side gate pins, GLx, are pulled to the PGND pin by an internal resistor.

#### NOTE

During power up and power down of the device through the ENABLE pin, the nFAULT pin is held low as the internal regulators enable or disable. After the regulators have enabled or disabled, the nFAULT pin is automatically released. The duration that the nFAULT pin is low does not exceed the  $t_{SLEEP}$  or  $t_{WAKE}$  time.

#### 8.4.1.2 Operating Mode

When the ENABLE pin is high and the  $V_{VM}$  voltage is greater than the  $V_{UVLO}$  voltage, the device goes to operating mode. The  $t_{WAKE}$  time must elapse before the device is ready for inputs. In this mode the charge pump, low-side gate regulator, DVDD regulator, and SPI bus are active

#### 8.4.1.3 Fault Reset (CLR\_FLT or ENABLE Reset Pulse)

In the case of device latched faults, the DRV832x family of devices goes to a partial shutdown state to help protect the external power MOSFETs and system.

When the fault condition clears, the device can go to the operating state again by either setting the CLR\_FLT SPI bit on SPI devices or issuing a reset pulse to the ENABLE pin on either interface variant. The ENABLE reset pulse ( $t_{RST}$ ) consists of a high-to-low-to-high transition on the ENABLE pin. The low period of the sequence should fall with the  $t_{RST}$  time window or else the device will start the complete shutdown sequence. The reset pulse has no effect on any of the regulators, device settings, or other functional blocks

## Device Functional Modes (continued)

### 8.4.2 Buck Regulator Functional Modes

#### 8.4.2.1 Continuous Conduction Mode (CCM)

The LMR16006 integrated buck regulator steps the input voltage down to a lower output voltage. In continuous conduction mode (when the inductor current never reaches zero at CCM), the buck regulator operates in two cycles. The power switch is connected between the VIN and SW pins. During the first cycle of operation, the transistor is closed and the diode is reverse biased. Energy is collected in the inductor and the load current is supplied by the C<sub>OUT</sub> capacitor and the rising current through the inductor. During the second cycle of operation, the transistor is open and the diode is forward biased because the inductor current cannot instantaneously change direction. The energy stored in the inductor is transferred to the load and output capacitor. The ratio of these two cycles determines the output voltage. Equation 7 and Equation 8 define the approximate output voltage.

$$D = \frac{V_O}{V_{VIN}}$$

where

- D is the duty cycle of the switch (7)

$$D' = (1 - D) \tag{8}$$

The value of D and D' is required for design calculations.

#### 8.4.2.2 Eco-mode™ Control Scheme

The LMR16006 device operates with the Eco-mode control scheme at light-load currents to improve efficiency by reducing switching and gate drive losses. The LMR16006 device is designed so that if the output voltage is within regulation and the peak switch current at the end of any switching cycle is less than the sleep-current threshold, I<sub>INDUCTOR</sub> ≤ 80 mA, the device goes to Eco-mode. For Eco-mode operation, the LMR16006 device senses peak current, not average or load current, so the load current when the device goes to Eco-mode is dependent on the input voltage, the output voltage, and the value of the output inductor. When the load current is low and the output voltage is within regulation, the device goes to Eco-mode and draws only 28-μA input quiescent current.

## 8.5 Programming

This section applies only to the DRV832x SPI devices.

### 8.5.1 SPI Communication

#### 8.5.1.1 SPI

On DRV832x SPI devices, an SPI bus is used to set device configurations, operating parameters, and read out diagnostic information. The SPI operates in slave mode and connects to a master controller. The SPI input data (SDI) word consists of a 16-bit word, with a 5-bit command and 11 bits of data. The SPI output data (SDO) word consists of 11-bit register data. The first 5 bits are don't care bits.

A valid frame must meet the following conditions:

- The SCLK pin should be low when the nSCS pin transitions from high to low and from low to high.
- The nSCS pin should be pulled high for at least 400 ns between words.
- When the nSCS pin is pulled high, any signals at the SCLK and SDI pins are ignored and the SDO pin is placed in the Hi-Z state.
- Data is captured on the falling edge of the SCLK pin and data is propagated on the rising edge of the SCLK pin.
- The most significant bit (MSB) is shifted in and out first.
- A full 16 SCLK cycles must occur for transaction to be valid.
- If the data word sent to the SDI pin is less than or more than 16 bits, a frame error occurs and the data word is ignored.
- For a write command, the existing data in the register being written to is shifted out on the SDO pin following

## Programming (continued)

the 5-bit command data.

The SPI registers are reset to the default settings on power up, when the device enters sleep mode, and when a UVLO fault occurs.

### 8.5.1.1.1 SPI Format

The SDI input data word is 16 bits long and consists of the following format:

- 1 read or write bit, W (bit B15)
- 4 address bits, A (bits B14 through B11)
- 11 data bits, D (bits B11 through B0)

The SDO output data word is 16 bits long and the first 5 bits are don't care bits. The data word is the content of the register being accessed.

For a write command ( $W0 = 0$ ), the response word on the SDO pin is the data currently in the register being written to.

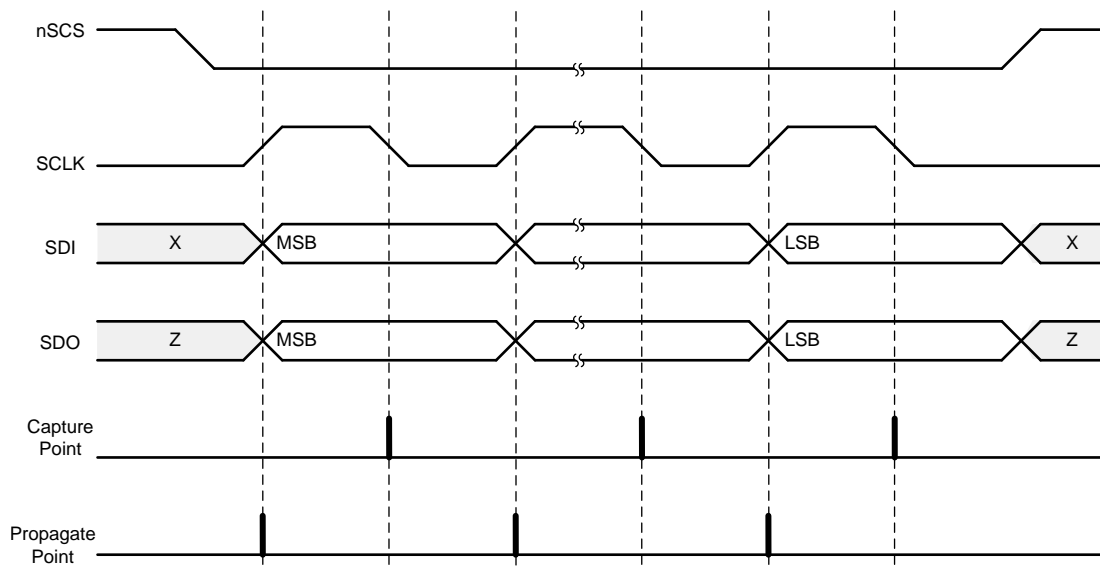
For a read command ( $W0 = 1$ ), the response word is the data currently in the register being read.

**Table 8. SDI Input Data Word Format**

| R/W | ADDRESS |     |     |     | DATA |    |    |    |    |    |    |    |    |    |    |
|-----|---------|-----|-----|-----|------|----|----|----|----|----|----|----|----|----|----|
| B15 | B14     | B13 | B12 | B11 | B10  | B9 | B8 | B7 | B6 | B5 | B4 | B3 | B2 | B1 | B0 |
| W0  | A3      | A2  | A1  | A0  | D10  | D9 | D8 | D7 | D6 | D5 | D4 | D3 | D2 | D1 | D0 |

**Table 9. SDO Output Data Word Format**

| DON'T CARE BITS |     |     |     |     | DATA |    |    |    |    |    |    |    |    |    |    |
|-----------------|-----|-----|-----|-----|------|----|----|----|----|----|----|----|----|----|----|
| B15             | B14 | B13 | B12 | B11 | B10  | B9 | B8 | B7 | B6 | B5 | B4 | B3 | B2 | B1 | B0 |
| X               | X   | X   | X   | X   | D10  | D9 | D8 | D7 | D6 | D5 | D4 | D3 | D2 | D1 | D0 |



**Figure 43. SPI Slave Timing Diagram**

## 8.6 Register Maps

This section applies only to the DRV832x SPI devices.

### NOTE

Do not modify reserved registers or addresses not listed in the register map (Table 10). Writing to these registers may have unintended effects. For all reserved bits, the default value is 0. To help prevent erroneous SPI writes from the master controller, set the LOCK bits to lock the SPI registers.

**Table 10. DRV832xS and DRV832xRS Register Map**

| Name                          | 10       | 9         | 8       | 7          | 6        | 5       | 4         | 3          | 2         | 1       | 0       | Type | Address |
|-------------------------------|----------|-----------|---------|------------|----------|---------|-----------|------------|-----------|---------|---------|------|---------|
| <b>DRV8320S and DRV8320RS</b> |          |           |         |            |          |         |           |            |           |         |         |      |         |
| Fault Status 1                | FAULT    | VDS_OCP   | GDF     | UVLO       | OTSD     | VDS_HA  | VDS_LA    | VDS_HB     | VDS_LB    | VDS_HC  | VDS_LC  | R    | 0h      |
| VGS Status 2                  | SA_OC    | SB_OC     | SC_OC   | OTW        | CPUV     | VGS_HA  | VGS_LA    | VGS_HB     | VGS_LB    | VGS_HC  | VGS_LC  | R    | 1h      |
| Driver Control                | Reserved | DIS_CPUV  | DIS_GDF | OTW_REP    | PWM_MODE |         | 1PWM_COM  | 1PWM_DIR   | COAST     | BRAKE   | CLR_FLT | RW   | 2h      |
| Gate Drive HS                 | LOCK     |           |         | IDRIVEP_HS |          |         |           | IDRIVEN_HS |           |         |         | RW   | 3h      |
| Gate Drive LS                 | CBC      | TDRIVE    |         | IDRIVEP_LS |          |         |           | IDRIVEN_LS |           |         |         | RW   | 4h      |
| OCP Control                   | TRETRY   | DEAD_TIME |         | OCP_MODE   |          | OCP_DEG |           | VDS_LVL    |           |         |         | RW   | 5h      |
| Reserved                      | Reserved |           |         |            |          |         |           |            |           |         |         | RW   | 6h      |
| Reserved                      | Reserved |           |         |            |          |         |           |            |           |         |         | RW   | 7h      |
| <b>DRV8323S and DRV8323RS</b> |          |           |         |            |          |         |           |            |           |         |         |      |         |
| Fault Status 1                | FAULT    | VDS_OCP   | GDF     | UVLO       | OTSD     | VDS_HA  | VDS_LA    | VDS_HB     | VDS_LB    | VDS_HC  | VDS_LC  | R    | 0h      |
| VGS Status 2                  | SA_OC    | SB_OC     | SC_OC   | OTW        | CPUV     | VGS_HA  | VGS_LA    | VGS_HB     | VGS_LB    | VGS_HC  | VGS_LC  | R    | 1h      |
| Driver Control                | Reserved | DIS_CPUV  | DIS_GDF | OTW_REP    | PWM_MODE |         | 1PWM_COM  | 1PWM_DIR   | COAST     | BRAKE   | CLR_FLT | RW   | 2h      |
| Gate Drive HS                 | LOCK     |           |         | IDRIVEP_HS |          |         |           | IDRIVEN_HS |           |         |         | RW   | 3h      |
| Gate Drive LS                 | CBC      | TDRIVE    |         | IDRIVEP_LS |          |         |           | IDRIVEN_LS |           |         |         | RW   | 4h      |
| OCP Control                   | TRETRY   | DEAD_TIME |         | OCP_MODE   |          | OCP_DEG |           | VDS_LVL    |           |         |         | RW   | 5h      |
| CSA Control                   | CSA_FET  | VREF_DIV  | LS_REF  | CSA_GAIN   |          | DIS_SEN | CSA_CAL_A | CSA_CAL_B  | CSA_CAL_C | SEN_LVL |         | RW   | 6h      |
| Reserved                      | Reserved |           |         |            |          |         |           |            |           |         |         | RW   | 7h      |

### 8.6.1 Status Registers

The status registers are used to reporting warning and fault conditions. The status registers are read-only registers

Complex bit access types are encoded to fit into small table cells. [Table 11](#) shows the codes that are used for access types in this section.

**Table 11. Status Registers Access Type Codes**

| Access Type                   | Code | Description                            |
|-------------------------------|------|--|
| <b>Read Type</b>              |      |  |
| R                             | R    | Read                                   |
| <b>Reset or Default Value</b> |      |  |
| -n                            |      | Value after reset or the default value |

#### 8.6.1.1 Fault Status Register 1 (address = 0x00)

The fault status register 1 is shown in [Figure 44](#) and described in [Table 12](#).

Register access type: Read only

**Figure 44. Fault Status Register 1**

| 10    | 9       | 8    | 7    | 6    | 5      | 4      | 3      | 2      | 1      | 0      |
|-------|---------|------|------|------|--------|--------|--------|--------|--------|--------|
| FAULT | VDS_OCP | GDF  | UVLO | OTSD | VDS_HA | VDS_LA | VDS_HB | VDS_LB | VDS_HC | VDS_LC |
| R-0b  | R-0b    | R-0b | R-0b | R-0b | R-0b   | R-0b   | R-0b   | R-0b   | R-0b   | R-0b   |

**Table 12. Fault Status Register 1 Field Descriptions**

| Bit | Field   | Type | Default | Description   |
|-----|---------|------|---------|---|
| 10  | FAULT   | R    | 0b      | Logic OR of FAULT status registers. Mirrors nFAULT pin.   |
| 9   | VDS_OCP | R    | 0b      | Indicates VDS monitor overcurrent fault condition         |
| 8   | GDF     | R    | 0b      | Indicates gate drive fault condition                      |
| 7   | UVLO    | R    | 0b      | Indicates undervoltage lockout fault condition            |
| 6   | OTSD    | R    | 0b      | Indicates overtemperature shutdown                        |
| 5   | VDS_HA  | R    | 0b      | Indicates VDS overcurrent fault on the A high-side MOSFET |
| 4   | VDS_LA  | R    | 0b      | Indicates VDS overcurrent fault on the A low-side MOSFET  |
| 3   | VDS_HB  | R    | 0b      | Indicates VDS overcurrent fault on the B high-side MOSFET |
| 2   | VDS_LB  | R    | 0b      | Indicates VDS overcurrent fault on the B low-side MOSFET  |
| 1   | VDS_HC  | R    | 0b      | Indicates VDS overcurrent fault on the C high-side MOSFET |
| 0   | VDS_LC  | R    | 0b      | Indicates VDS overcurrent fault on the C low-side MOSFET  |

### 8.6.1.2 Fault Status Register 2 (address = 0x01)

The fault status register 2 is shown in [Figure 45](#) and described in [Table 13](#).

Register access type: Read only

**Figure 45. Fault Status Register 2**

|       |       |       |      |      |        |        |        |        |        |        |
|-------|-------|-------|------|------|--------|--------|--------|--------|--------|--------|
| 10    | 9     | 8     | 7    | 6    | 5      | 4      | 3      | 2      | 1      | 0      |
| SA_OC | SB_OC | SC_OC | OTW  | CPUV | VGS_HA | VGS_LA | VGS_HB | VGS_LB | VGS_HC | VGS_LC |
| R-0b  | R-0b  | R-0b  | R-0b | R-0b | R-0b   | R-0b   | R-0b   | R-0b   | R-0b   | R-0b   |

**Table 13. Fault Status Register 2 Field Descriptions**

| Bit | Field  | Type | Default | Description  |
|-----|--------|------|---------|--|
| 10  | SA_OC  | R    | 0b      | Indicates overcurrent on phase A sense amplifier (DRV8323xS) |
| 9   | SB_OC  | R    | 0b      | Indicates overcurrent on phase B sense amplifier (DRV8323xS) |
| 8   | SC_OC  | R    | 0b      | Indicates overcurrent on phase C sense amplifier (DRV8323xS) |
| 7   | OTW    | R    | 0b      | Indicates overtemperature warning                            |
| 6   | CPUV   | R    | 0b      | Indicates charge pump undervoltage fault condition           |
| 5   | VGS_HA | R    | 0b      | Indicates gate drive fault on the A high-side MOSFET         |
| 4   | VGS_LA | R    | 0b      | Indicates gate drive fault on the A low-side MOSFET          |
| 3   | VGS_HB | R    | 0b      | Indicates gate drive fault on the B high-side MOSFET         |
| 2   | VGS_LB | R    | 0b      | Indicates gate drive fault on the B low-side MOSFET          |
| 1   | VGS_HC | R    | 0b      | Indicates gate drive fault on the C high-side MOSFET         |
| 0   | VGS_LC | R    | 0b      | Indicates gate drive fault on the C low-side MOSFET          |

## 8.6.2 Control Registers

The control registers are used to configure the device. The control registers are read and write capable

Complex bit access types are encoded to fit into small table cells. Table 14 shows the codes that are used for access types in this section.

**Table 14. Control Registers Access Type Codes**

| Access Type                   | Code | Description                            |
|-------------------------------|------|--|
| <b>Read Type</b>              |      |  |
| R                             | R    | Read                                   |
| <b>Write Type</b>             |      |  |
| W                             | W    | Write                                  |
| <b>Reset or Default Value</b> |      |  |
| -n                            |      | Value after reset or the default value |

### 8.6.2.1 Driver Control Register (address = 0x02)

The driver control register is shown in Figure 46 and described in Table 15.

Register access type: Read/Write

**Figure 46. Driver Control Register**

| 10       | 9        | 8       | 7       | 6        | 5 | 4        | 3        | 2      | 1      | 0       |
|----------|----------|---------|---------|----------|---|----------|----------|--------|--------|---------|
| Reserved | DIS_CPUV | DIS_GDF | OTW_REP | PWM_MODE |   | 1PWM_COM | 1PWM_DIR | COAST  | BRAKE  | CLR_FLT |
| R/W-0b   | R/W-0b   | R/W-0b  | R/W-0b  | R/W-00b  |   | R/W-0b   | R/W-0b   | R/W-0b | R/W-0b | R/W-0b  |

**Table 15. Driver Control Field Descriptions**

| Bit | Field    | Type | Default | Description   |
|-----|----------|------|---------|---|
| 10  | Reserved | R/W  | 0b      | Reserved  |
| 9   | DIS_CPUV | R/W  | 0b      | <b>0b = Charge pump UVLO fault is enabled</b><br>1b = Charge pump UVLO fault is disabled  |
| 8   | DIS_GDF  | R/W  | 0b      | <b>0b = Gate drive fault is enabled</b><br>1b = Gate drive fault is disabled  |
| 7   | OTW_REP  | R/W  | 0b      | <b>0b = OTW is not reported on nFAULT or the FAULT bit</b><br>1b = OTW is reported on nFAULT and the FAULT bit                  |
| 6-5 | PWM_MODE | R/W  | 00b     | <b>00b = 6x PWM Mode</b><br>01b = 3x PWM mode<br>10b = 1x PWM mode<br>11b = Independent PWM mode                                |
| 4   | 1PWM_COM | R/W  | 0b      | <b>0b = 1x PWM mode uses synchronous rectification</b><br>1b = 1x PWM mode uses asynchronous rectification (diode freewheeling) |
| 3   | 1PWM_DIR | R/W  | 0b      | In 1x PWM mode this bit is ORed with the INHC (DIR) input   |
| 2   | COAST    | R/W  | 0b      | Write a 1 to this bit to put all MOSFETs in the Hi-Z state  |
| 1   | BRAKE    | R/W  | 0b      | Write a 1 to this bit to turn on all three low-side MOSFETs in 1x PWM mode.<br>This bit is ORed with the INLC (BRAKE) input.    |
| 0   | CLR_FLT  | R/W  | 0b      | Write a 1 to this bit to clear latched fault bits.<br>This bit automatically resets after being written.                        |



### 8.6.2.2 Gate Drive HS Register (address = 0x03)

The gate drive HS register is shown in [Figure 47](#) and described in [Table 16](#).

Register access type: Read/Write

**Figure 47. Gate Drive HS Register**

|          |   |   |            |   |   |   |            |   |   |   |
|----------|---|---|------------|---|---|---|------------|---|---|---|
| 10       | 9 | 8 | 7          | 6 | 5 | 4 | 3          | 2 | 1 | 0 |
| LOCK     |   |   | IDRIVEP_HS |   |   |   | IDRIVEN_HS |   |   |   |
| R/W-011b |   |   | R/W-1111b  |   |   |   | R/W-1111b  |   |   |   |

**Table 16. Gate Drive HS Field Descriptions**

| Bit  | Field      | Type | Default | Description  |
|------|------------|------|---------|--|
| 10-8 | LOCK       | R/W  | 011b    | Write 110b to lock the settings by ignoring further register writes except to these bits and address 0x02 bits 0-2. Writing any sequence other than 110b has no effect when unlocked. Write 011b to this register to unlock all registers. Writing any sequence other than 011b has no effect when locked. |
| 7-4  | IDRIVEP_HS | R/W  | 1111b   | 0000b = 10 mA<br>0001b = 30 mA<br>0010b = 60 mA<br>0011b = 80 mA<br>0100b = 120 mA<br>0101b = 140 mA<br>0110b = 170 mA<br>0111b = 190 mA<br>1000b = 260 mA<br>1001b = 330 mA<br>1010b = 370 mA<br>1011b = 440 mA<br>1100b = 570 mA<br>1101b = 680 mA<br>1110b = 820 mA<br><b>1111b = 1000 mA</b>           |
| 3-0  | IDRIVEN_HS | R/W  | 1111b   | 0000b = 20 mA<br>0001b = 60 mA<br>0010b = 120 mA<br>0011b = 160 mA<br>0100b = 240 mA<br>0101b = 280 mA<br>0110b = 340 mA<br>0111b = 380 mA<br>1000b = 520 mA<br>1001b = 660 mA<br>1010b = 740 mA<br>1011b = 880 mA<br>1100b = 1140 mA<br>1101b = 1360 mA<br>1110b = 1640 mA<br><b>1111b = 2000 mA</b>      |

### 8.6.2.3 Gate Drive LS Register (address = 0x04)

The gate drive LS register is shown in [Figure 48](#) and described in [Table 17](#).

Register access type: Read/Write

**Figure 48. Gate Drive LS Register**

|        |         |   |            |   |   |   |            |   |   |   |
|--------|---------|---|------------|---|---|---|------------|---|---|---|
| 10     | 9       | 8 | 7          | 6 | 5 | 4 | 3          | 2 | 1 | 0 |
| CBC    | TDRIVE  |   | IDRIVEP_LS |   |   |   | IDRIVEN_LS |   |   |   |
| R/W-1b | R/W-11b |   | R/W-1111b  |   |   |   | R/W-1111b  |   |   |   |

**Table 17. Gate Drive LS Register Field Descriptions**

| Bit | Field      | Type | Default | Description   |
|-----|------------|------|---------|---|
| 10  | CBC        | R/W  | 1b      | Cycle-by cycle operation. In retry OCP_MODE, for both VDS_OCP and SEN_OCP, the fault is automatically cleared when a PWM input is given   |
| 9-8 | TDRIVE     | R/W  | 11b     | 00b = 500-ns peak gate-current drive time<br>01b = 1000-ns peak gate-current drive time<br>10b = 2000-ns peak gate-current drive time<br><b>11b = 4000-ns peak gate-current drive time</b>  |
| 7-4 | IDRIVEP_LS | R/W  | 1111b   | 0000b = 10 mA<br>0001b = 30 mA<br>0010b = 60 mA<br>0011b = 80 mA<br>0100b = 120 mA<br>0101b = 140 mA<br>0110b = 170 mA<br>0111b = 190 mA<br>1000b = 260 mA<br>1001b = 330 mA<br>1010b = 370 mA<br>1011b = 440 mA<br>1100b = 570 mA<br>1101b = 680 mA<br>1110b = 820 mA<br><b>1111b = 1000 mA</b>      |
| 3-0 | IDRIVEN_LS | R/W  | 1111b   | 0000b = 20 mA<br>0001b = 60 mA<br>0010b = 120 mA<br>0011b = 160 mA<br>0100b = 240 mA<br>0101b = 280 mA<br>0110b = 340 mA<br>0111b = 380 mA<br>1000b = 520 mA<br>1001b = 660 mA<br>1010b = 740 mA<br>1011b = 880 mA<br>1100b = 1140 mA<br>1101b = 1360 mA<br>1110b = 1640 mA<br><b>1111b = 2000 mA</b> |

### 8.6.2.4 OCP Control Register (address = 0x05)

The OCP control register is shown in [Figure 49](#) and described in [Table 18](#).

Register access type: Read/Write

**Figure 49. OCP Control Register**

|        |           |   |          |   |         |   |           |   |   |   |
|--------|-----------|---|----------|---|---------|---|-----------|---|---|---|
| 10     | 9         | 8 | 7        | 6 | 5       | 4 | 3         | 2 | 1 | 0 |
| TRETRY | DEAD_TIME |   | OCP_MODE |   | OCP_DEG |   | VDS_LVL   |   |   |   |
| R/W-0b | R/W-01b   |   | R/W-01b  |   | R/W-01b |   | R/W-1001b |   |   |   |

**Table 18. OCP Control Field Descriptions**

| Bit | Field     | Type | Default | Description  |
|-----|-----------|------|---------|--|
| 10  | TRETRY    | R/W  | 0b      | <b>0b = VDS_OCP and SEN_OCP retry time is 4 ms</b><br>1b = VDS_OCP and SEN_OCP retry time is 50 $\mu$ s  |
| 9-8 | DEAD_TIME | R/W  | 01b     | 00b = 50-ns dead time<br><b>01b = 100-ns dead time</b><br>10b = 200-ns dead time<br>11b = 400-ns dead time   |
| 7-6 | OCP_MODE  | R/W  | 01b     | 00b = Overcurrent causes a latched fault<br><b>01b = Overcurrent causes an automatic retrying fault</b><br>10b = Overcurrent is report only but no action is taken<br>11b = Overcurrent is not reported and no action is taken   |
| 5-4 | OCP_DEG   | R/W  | 01b     | 00b = Overcurrent deglitch time of 2 $\mu$ s<br><b>01b = Overcurrent deglitch time of 4 <math>\mu</math>s</b><br>10b = Overcurrent deglitch time of 6 $\mu$ s<br>11b = Overcurrent deglitch time of 8 $\mu$ s  |
| 3-0 | VDS_LVL   | R/W  | 1001b   | 0000b = 0.06 V<br>0001b = 0.13 V<br>0010b = 0.2 V<br>0011b = 0.26 V<br>0100b = 0.31 V<br>0101b = 0.45 V<br>0110b = 0.53 V<br>0111b = 0.6 V<br>1000b = 0.68 V<br><b>1001b = 0.75 V</b><br>1010b = 0.94 V<br>1011b = 1.13 V<br>1100b = 1.3 V<br>1101b = 1.5 V<br>1110b = 1.7 V<br>1111b = 1.88 V |

### 8.6.2.5 CSA Control Register (DRV8323x Only) (address = 0x06)

The CSA control register is shown in Figure 50 and described in Table 19.

Register access type: Read/Write

This register is only available with the DRV8323x family of devices.

**Figure 50. CSA Control Register**

|         |          |        |          |         |           |           |           |         |         |   |
|---------|----------|--------|----------|---------|-----------|-----------|-----------|---------|---------|---|
| 10      | 9        | 8      | 7        | 6       | 5         | 4         | 3         | 2       | 1       | 0 |
| CSA_FET | VREF_DIV | LS_REF | CSA_GAIN | DIS_SEN | CSA_CAL_A | CSA_CAL_B | CSA_CAL_C | SEN_LVL |         |   |
| R/W-0b  | R/W-1b   | R/W-0b | R/W-10b  | R/W-0b  | R/W-0b    | R/W-0b    | R/W-0b    | R/W-0b  | R/W-11b |   |

**Table 19. CSA Control Field Descriptions**

| Bit | Field     | Type | Default | Description  |
|-----|-----------|------|---------|--|
| 10  | CSA_FET   | R/W  | 0b      | <b>0b = Current sense amplifier positive input is SPx</b><br>1b = Current sense amplifier positive input is SHx (also automatically sets the LS_REF bit to 1)                          |
| 9   | VREF_DIV  | R/W  | 1b      | 0b = Current sense amplifier reference voltage is VREF (unidirectional mode)<br><b>1b = Current sense amplifier reference voltage is VREF divided by 2</b>                             |
| 8   | LS_REF    | R/W  | 0b      | <b>0b = VDS_OCP for the low-side MOSFET is measured across SHx to SPx</b><br>1b = VDS_OCP for the low-side MOSFET is measured across SHx to SNx  |
| 7-6 | CSA_GAIN  | R/W  | 10b     | 00b = 5-V/V current sense amplifier gain<br>01b = 10-V/V current sense amplifier gain<br><b>10b = 20-V/V current sense amplifier gain</b><br>11b = 40-V/V current sense amplifier gain |
| 5   | DIS_SEN   | R/W  | 0b      | <b>0b = Sense overcurrent fault is enabled</b><br>1b = Sense overcurrent fault is disabled   |
| 4   | CSA_CAL_A | R/W  | 0b      | <b>0b = Normal current sense amplifier A operation</b><br>1b = Short inputs to current sense amplifier A for offset calibration  |
| 3   | CSA_CAL_B | R/W  | 0b      | <b>0b = Normal current sense amplifier B operation</b><br>1b = Short inputs to current sense amplifier B for offset calibration  |
| 2   | CSA_CAL_C | R/W  | 0b      | <b>0b = Normal current sense amplifier C operation</b><br>1b = Short inputs to current sense amplifier C for offset calibration  |
| 1-0 | SEN_LVL   | R/W  | 11b     | 00b = Sense OCP 0.25 V<br>01b = Sense OCP 0.5 V<br>10b = Sense OCP 0.75 V<br><b>11b = Sense OCP 1 V</b>  |

## 9 Application and Implementation

---

### NOTE

Information in the following applications sections is not part of the TI component specification, and TI does not warrant its accuracy or completeness. TI's customers are responsible for determining suitability of components for their purposes. Customers should validate and test their design implementation to confirm system functionality.

---

### 9.1 Application Information

The DRV832x family of devices is primarily used in applications for three-phase brushless DC motor control. The design procedures in the [Typical Application](#) section highlight how to use and configure the DRV832x family of devices.

### 9.2 Typical Application

#### 9.2.1 Primary Application

The DRV8323R SPI device is used in this application example.

Typical Application (continued)

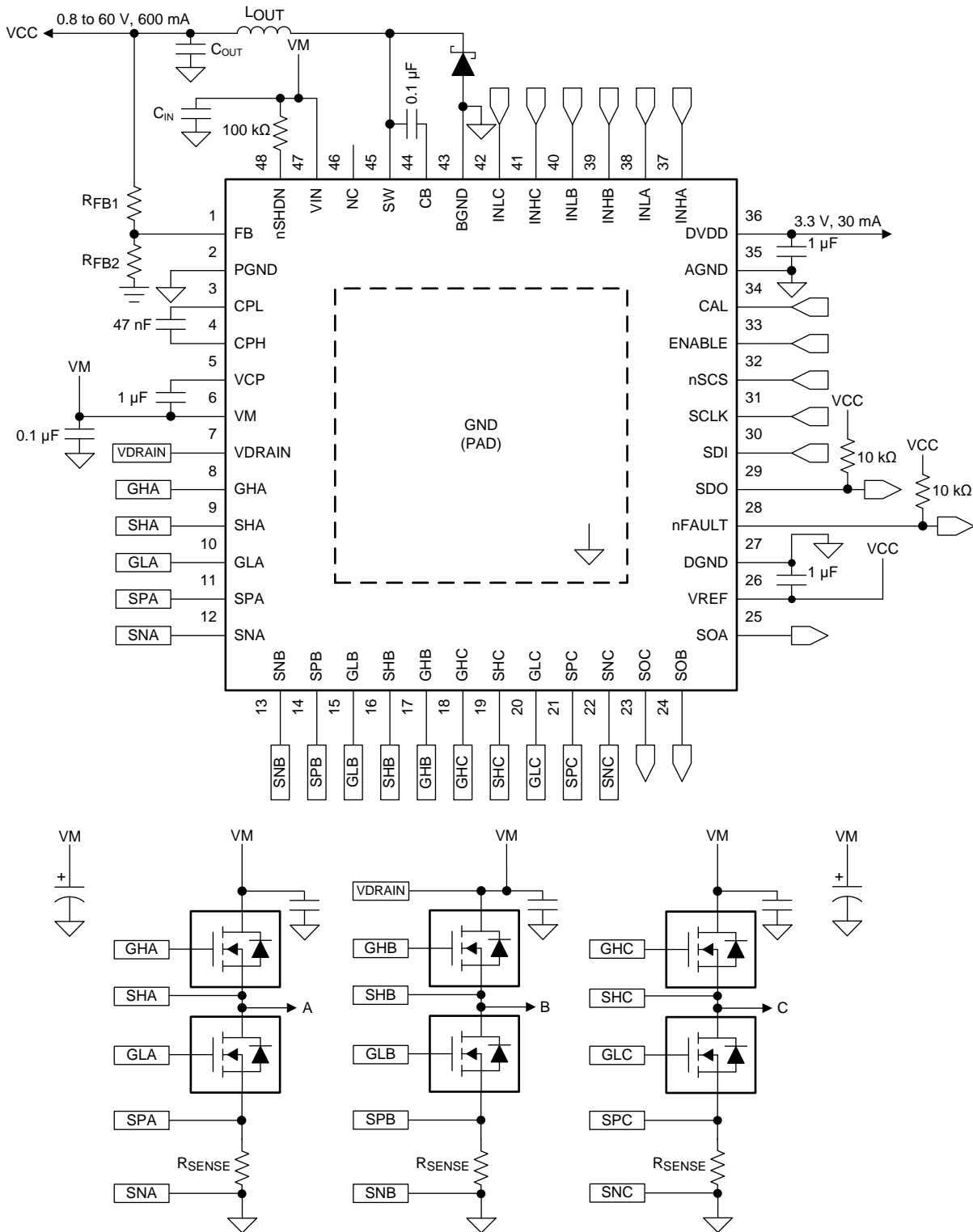


Figure 51. Primary Application Schematic

## Typical Application (continued)

### 9.2.1.1 Design Requirements

Table 20 lists the example input parameters for the system design.

**Table 20. Design Parameters**

| EXAMPLE DESIGN PARAMETER      | REFERENCE   | EXAMPLE VALUE                       |
|-------------------------------|-------------|-------------------------------------|
| Nominal supply voltage        | $V_{VM}$    | 24 V                                |
| Supply voltage range          |             | 8 V to 45 V                         |
| MOSFET part number            |             | <a href="#">CSD18536KCS</a>         |
| MOSFET total gate charge      | $Q_g$       | 83 nC (typical) at $V_{VGS} = 10$ V |
| MOSFET gate to drain charge   | $Q_{gd}$    | 14 nC (typical)                     |
| Target output rise time       | $t_r$       | 100 to 300 ns                       |
| Target output fall time       | $t_f$       | 50 to 150 ns                        |
| PWM Frequency                 | $f_{PWM}$   | 45 kHz                              |
| Buck regulator output voltage | $V_{VCC}$   | 3.3 V                               |
| Maximum motor current         | $I_{max}$   | 100 A                               |
| ADC reference voltage         | $V_{VREF}$  | 3.3 V                               |
| Winding sense current range   | $I_{SENSE}$ | -40 A to +40 A                      |
| Motor RMS current             | $I_{RMS}$   | 28.3 A                              |
| Sense resistor power rating   | $P_{SENSE}$ | 2 W                                 |
| System ambient temperature    | $T_A$       | -20°C to +105°C                     |

### 9.2.1.2 Detailed Design Procedure

#### 9.2.1.2.1 External MOSFET Support

The DRV832x MOSFET support is based on the capacity of the charge pump and PWM switching frequency of the output. For a quick calculation of MOSFET driving capacity, use [Equation 9](#) and [Equation 10](#) for three phase BLDC motor applications.

**Trapezoidal 120° Commutation:**  $I_{VCP} > Q_g \times f_{PWM}$

where

- $f_{PWM}$  is the maximum desired PWM switching frequency.
- $I_{VCP}$  is the charge pump capacity, which depends on the VM pin voltage.
- The multiplier based on the commutation control method, may vary based on implementation. (9)

**Sinusoidal 180° Commutation:**  $I_{VCP} > 3 \times Q_g \times f_{PWM}$  (10)

##### 9.2.1.2.1.1 Example

If a system with a  $V_{VM}$  voltage of 8 V ( $I_{VCP} = 15$  mA) uses a maximum PWM switching frequency of 45 kHz, then the charge pump can support MOSFETs using trapezoidal commutation with a  $Q_g$  less than 333 nC, and MOSFETs using sinusoidal commutation with a  $Q_g$  less than 111 nC.

##### 9.2.1.2.2 IDRIVE Configuration

The strength of the gate drive current,  $I_{DRIVE}$ , is selected based on the gate-to-drain charge of the external MOSFETs and the target rise and fall times at the outputs. If  $I_{DRIVE}$  is selected to be too low for a given MOSFET, then the MOSFET may not turn on completely within the  $t_{DRIVE}$  time and a gate drive fault may be asserted. Additionally, slow rise and fall times result in higher switching power losses. TI recommends adjusting these values in the system with the required external MOSFETs and motor to determine the best possible setting for any application.

The  $I_{DRIVEP}$  and  $I_{DRIVEN}$  current for both the low-side and high-side MOSFETs are independently adjustable on SPI devices through the SPI registers. On hardware interface devices, both source and sink settings are selected at the same time on the IDRIVE pin.

For MOSFETs with a known gate-to-drain charge  $Q_{gd}$ , desired rise time ( $t_r$ ), and a desired fall time ( $t_f$ ), use [Equation 11](#) and [Equation 12](#) to calculate the value of  $I_{DRIVEP}$  and  $I_{DRIVEN}$  (respectively).

$$I_{DRIVEP} > \frac{Q_{gd}}{t_r} \quad (11)$$

$$I_{DRIVEN} > \frac{Q_{gd}}{t_f} \quad (12)$$

#### 9.2.1.2.2.1 Example

Use [Equation 13](#) and [Equation 14](#) to calculate the value of  $I_{DRIVEP1}$  and  $I_{DRIVEP2}$  (respectively) for a gate-to-drain charge of 14 nC and a rise time from 100 to 300 ns.

$$I_{DRIVEP1} = \frac{14 \text{ nC}}{100 \text{ ns}} = 140 \text{ mA} \quad (13)$$

$$I_{DRIVEP2} = \frac{14 \text{ nC}}{300 \text{ ns}} = 47 \text{ mA} \quad (14)$$

Select a value for  $I_{DRIVEP}$  that is between 47 mA and 140 mA. For this example, the value of  $I_{DRIVEP}$  was selected as 120-mA source.

Use [Equation 15](#) and [Equation 16](#) to calculate the value of  $I_{DRIVEN1}$  and  $I_{DRIVEN2}$  (respectively) for a gate-to-drain charge of 14 nC and a fall time from 50 to 150 ns.

$$I_{DRIVEN1} = \frac{14 \text{ nC}}{50 \text{ ns}} = 280 \text{ mA} \quad (15)$$

$$I_{DRIVEN2} = \frac{14 \text{ nC}}{150 \text{ ns}} = 93 \text{ mA} \quad (16)$$

Select a value for  $I_{DRIVEN}$  that is between 93 mA and 280 mA. For this example, the value of  $I_{DRIVEN}$  was selected as 240-mA sink.

#### 9.2.1.2.3 $V_{DS}$ Overcurrent Monitor Configuration

The  $V_{DS}$  monitors are configured based on the worst-case motor current and the  $R_{DS(on)}$  of the external MOSFETs as shown in [Equation 17](#).

$$V_{DS\_OCP} > I_{max} \times R_{DS(on)max} \quad (17)$$

##### 9.2.1.2.3.1 Example

The goal of this example is to set the  $V_{DS}$  monitor to trip at a current greater than 100 A. According to the [CSD18536KCS 60 V N-Channel NexFET™ Power MOSFET data sheet](#), the  $R_{DS(on)}$  value is 1.8 times higher at 175°C, and the maximum  $R_{DS(on)}$  value at a  $V_{GS}$  of 10 V is 1.6 mΩ. From these values, the approximate worst-case value of  $R_{DS(on)}$  is  $1.8 \times 1.6 \text{ m}\Omega = 2.88 \text{ m}\Omega$ .

Using [Equation 17](#) with a value of 2.88 mΩ for  $R_{DS(on)}$  and a worst-case motor current of 100 A, [Equation 18](#) shows the calculated the value of the  $V_{DS}$  monitors.

$$V_{DS\_OCP} > 100 \text{ A} \times 2.88 \text{ m}\Omega$$

$$V_{DS\_OCP} > 0.288 \text{ V} \quad (18)$$

For this example, the value of  $V_{DS\_OCP}$  was selected as 0.31 V.

The SPI devices allow for adjustment of the deglitch time for the  $V_{DS}$  overcurrent monitor. The deglitch time can be set to 2 μs, 4 μs, 6 μs, or 8 μs.

#### 9.2.1.2.4 Sense Amplifier Bidirectional Configuration (DRV8323 and DRV8323R)

The sense amplifier gain on the DRV8323, DRV8323R devices and sense resistor value are selected based on the target current range,  $V_{REF}$  voltage supply, power rating of the sense resistor, and operating temperature range. In bidirectional operation of the sense amplifier, the dynamic range at the output is approximately calculated as shown in [Equation 19](#).



$$V_O = (V_{VREF} - 0.25 \text{ V}) - \frac{V_{VREF}}{2} \quad (19)$$

Use Equation 20 to calculate the approximate value of the selected sense resistor with  $V_O$  calculated using Equation 19.

$$R = \frac{V_O}{A_V \times I} \quad P_{SENSE} > I_{RMS}^2 \times R \quad (20)$$

From Equation 19 and Equation 20, select a target gain setting based on the power rating of the target sense resistor.

#### 9.2.1.2.4.1 Example

In this system example, the value of the VREF voltage is 3.3 V with a sense current from –40 to +40 A. The linear range of the SOx output is 0.25 V to  $V_{VREF} - 0.25 \text{ V}$  (from the  $V_{LINEAR}$  specification). The differential range of the sense amplifier input is –0.3 to +0.3 V ( $V_{DIFF}$ ).

$$V_O = (3.3 \text{ V} - 0.25 \text{ V}) - \frac{3.3 \text{ V}}{2} = 1.4 \text{ V} \quad (21)$$

$$R = \frac{1.4 \text{ V}}{A_V \times 40 \text{ A}} \quad 2 \text{ W} > 28.3^2 \times R \rightarrow R < 2.5 \text{ m}\Omega \quad (22)$$

$$2.5 \text{ m}\Omega > \frac{1.4 \text{ V}}{A_V \times 40 \text{ A}} \rightarrow A_V > 14 \quad (23)$$

Therefore, the gain setting must be selected as 20 V/V or 40 V/V and the value of the sense resistor must be less than 2.5 mΩ to meet the power rating for the sense resistor. For this example, the gain setting was selected as 20 V/V. The value of the resistor and worst case current can be verified that  $R < 2.5 \text{ m}\Omega$  and  $I_{max} = 40 \text{ A}$  does not violate the differential range specification of the sense amplifier input ( $V_{SPxD}$ ).

#### 9.2.1.2.5 Buck Regulator Configuration (DRV8320R and DRV8323R)

For a detailed design procedure and information on selecting the correct buck regulator external components, refer to the [LMR16006 SIMPLE SWITCHER® 60 V 0.6 A Buck Regulators With High Efficiency Eco-mode data sheet](#).

### 9.2.1.3 Application Curves

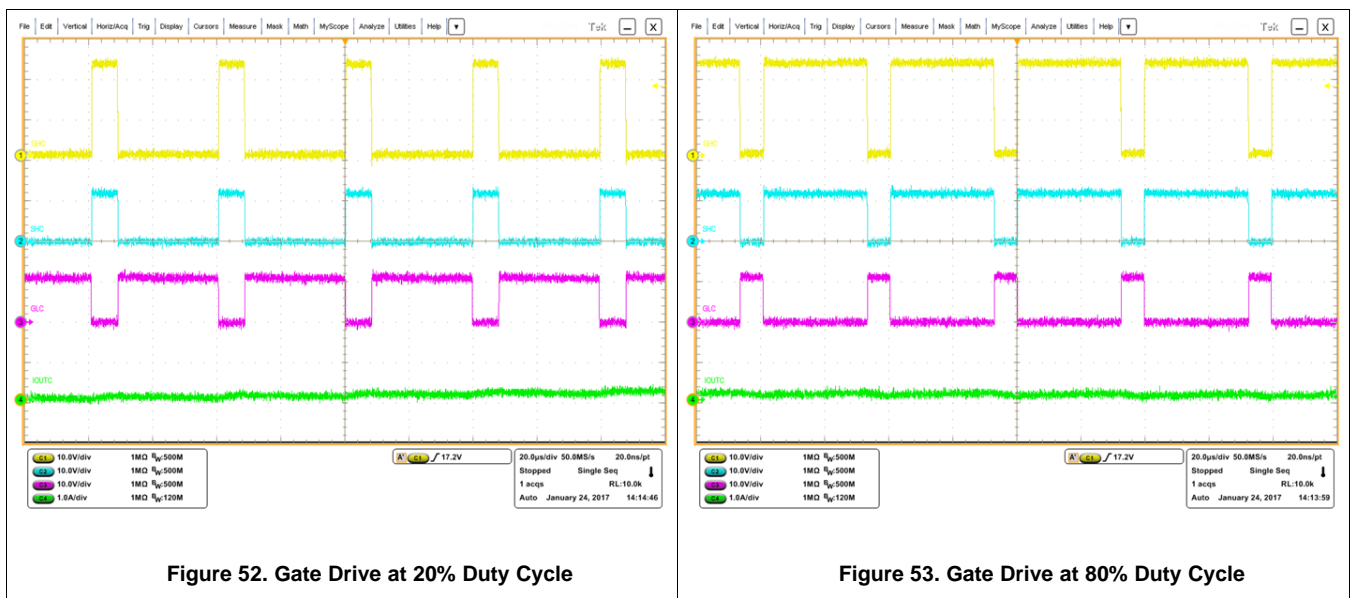


Figure 52. Gate Drive at 20% Duty Cycle

Figure 53. Gate Drive at 80% Duty Cycle

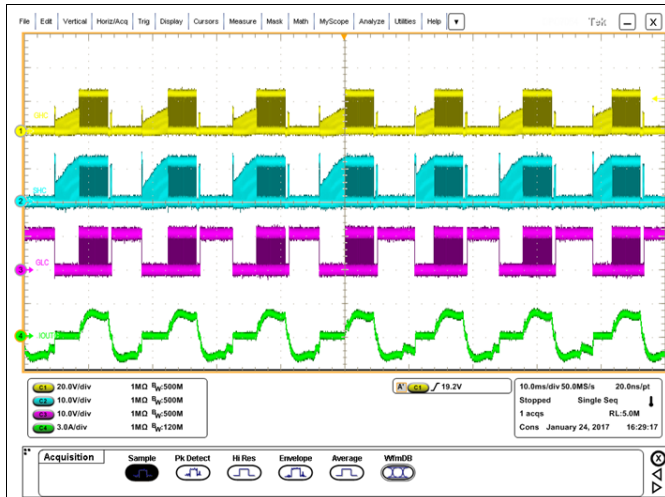


Figure 54. BLDC Motor Commutation 1000 RPM



Figure 55. BLDC Motor Commutation 2000 RPM

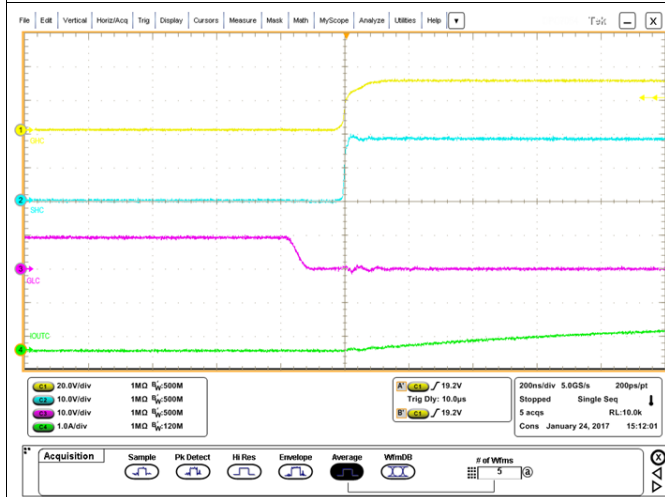


Figure 56. IDRIVE Maximum Setting Positive Current

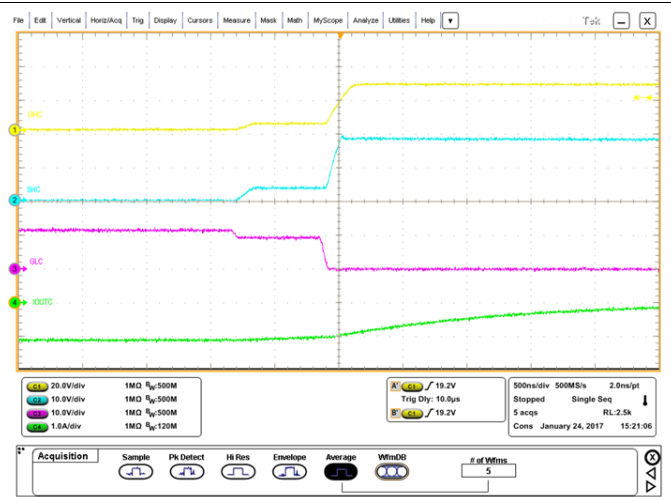


Figure 57. IDRIVE Maximum Setting Negative Current

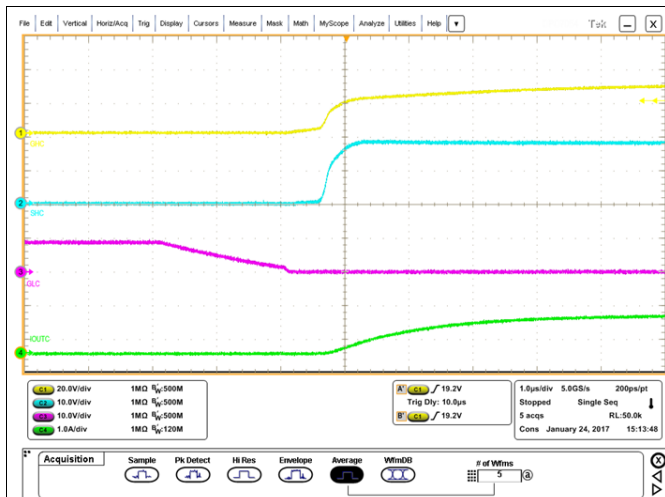


Figure 58. IDRIVE Minimum Setting Positive Current

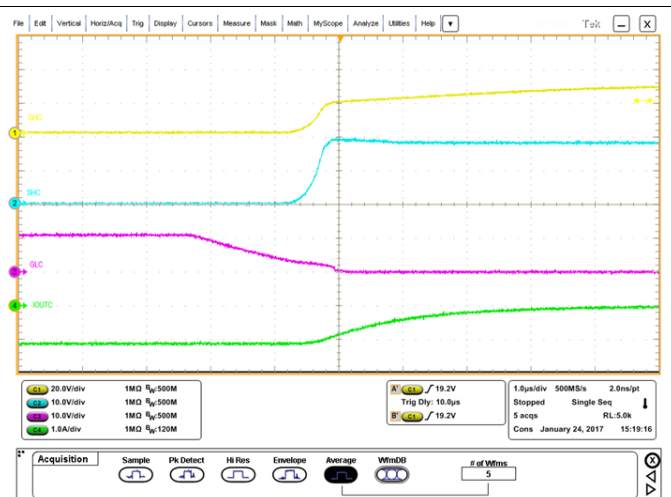


Figure 59. IDRIVE Minimum Setting Negative Current

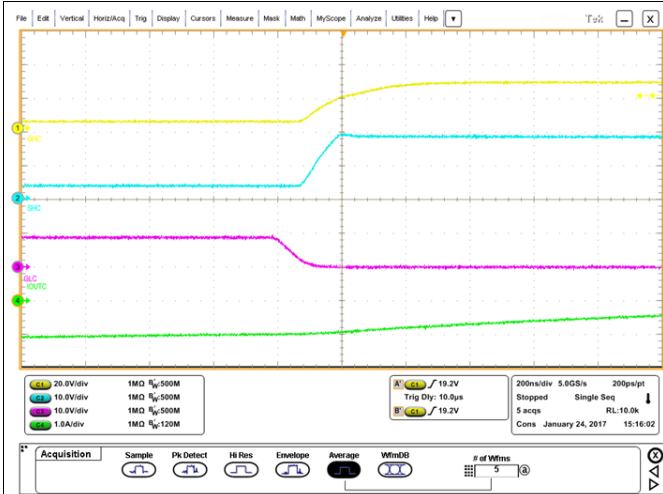


Figure 60. IDRIVE 260 to 520-mA Setting Negative Current

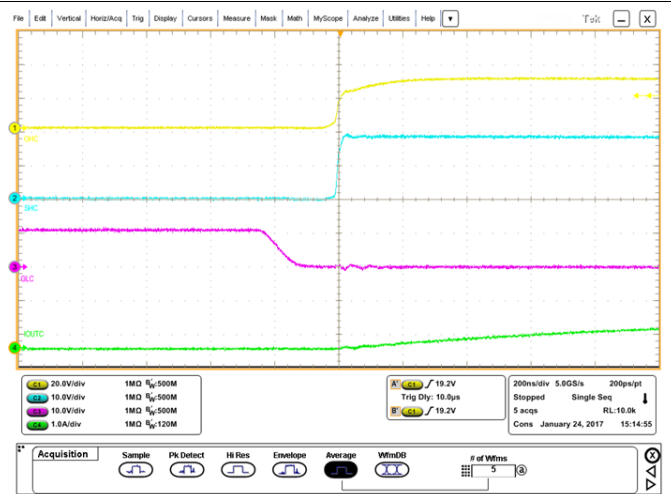


Figure 61. IDRIVE 260 to 520-mA Setting Positive Current

### 9.2.2 Alternative Application

In this application, one sense amplifier is used in unidirectional mode for a summing current sense scheme often used in trapezoidal or hall-based BLDC commutation control.

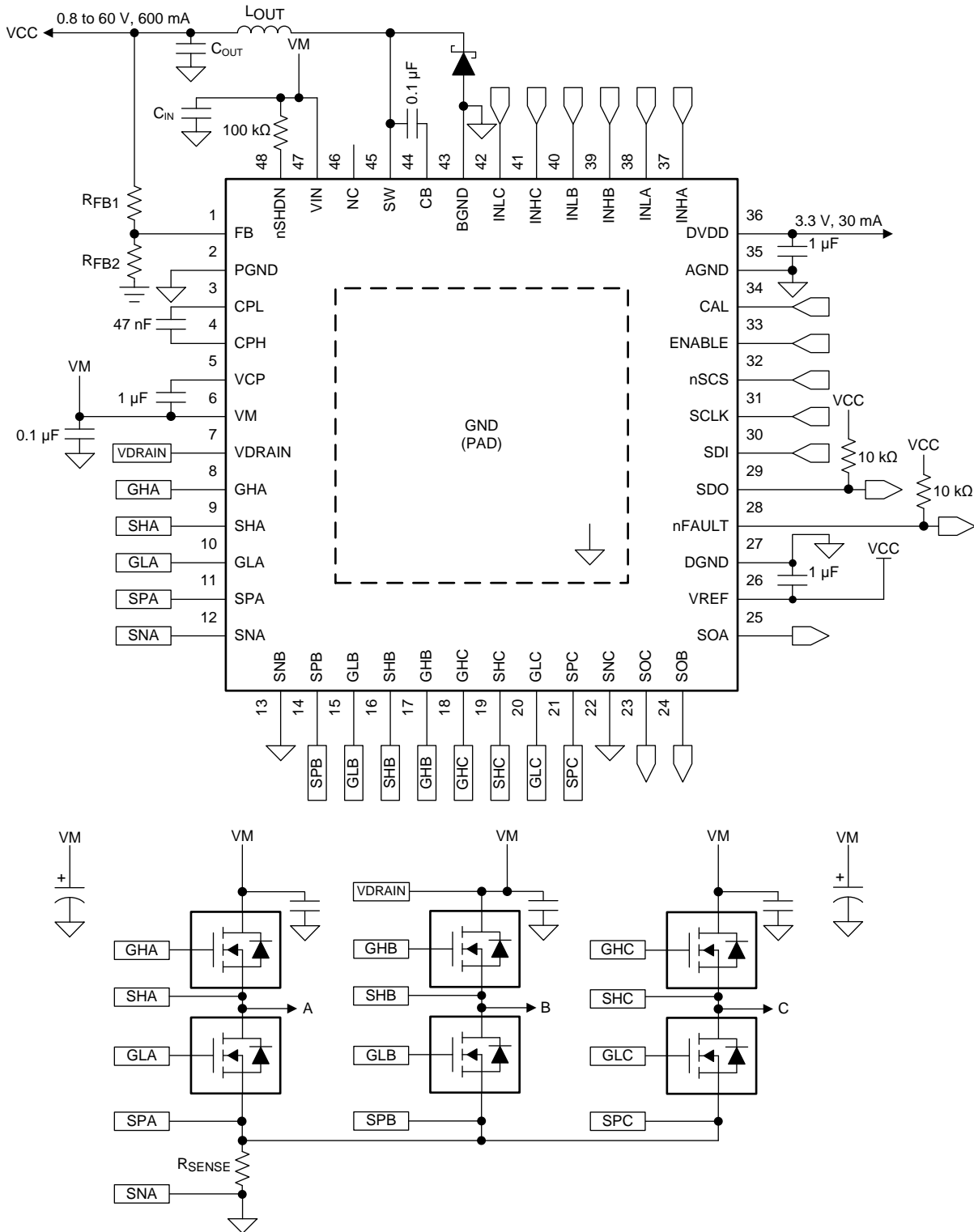


Figure 62. Alternative Application Schematic

### 9.2.2.1 Design Requirements

Table 21 lists the example design input parameters for system design.

**Table 21. Design Parameters**

| EXAMPLE DESIGN PARAMETER    | REFERENCE   | EXAMPLE VALUE   |
|-----------------------------|-------------|-----------------|
| ADC reference voltage       | $V_{VREF}$  | 3.3 V           |
| Sensed current              | $I_{SENSE}$ | 0 to 40 A       |
| Motor RMS current           | $I_{RMS}$   | 28.3 A          |
| Sense-resistor power rating | $P_{SENSE}$ | 3 W             |
| System ambient temperature  | $T_A$       | -20°C to +105°C |

### 9.2.2.2 Detailed Design Procedure

#### 9.2.2.2.1 Sense Amplifier Unidirectional Configuration

The sense amplifiers are configured to be unidirectional through the registers on SPI devices by writing a 0 to the  $VREF\_DIV$  bit.

The sense amplifier gain and sense resistor values are selected based on the target current range,  $VREF$ , power rating of the sense resistor, and operating temperature range. In unidirectional operation of the sense amplifier, use Equation 24 to calculate the approximate value of the dynamic range at the output.

$$V_O = (V_{VREF} - 0.25 \text{ V}) - 0.25 \text{ V} = V_{VREF} - 0.5 \text{ V} \quad (24)$$

Use Equation 25 to calculate the approximate value of the selected sense resistor.

$$R = \frac{V_O}{A_V \times I} \quad P_{SENSE} > I_{RMS}^2 \times R$$

where

- $V_O = V_{VREF} - 0.5 \text{ V}$  (25)

From Equation 24 and Equation 25, select a target gain setting based on the power rating of a target sense resistor.

#### 9.2.2.2.1.1 Example

In this system example, the value of the  $VREF$  voltage is 3.3 V with a sense current from 0 to 40 A. The linear range of the  $SOx$  output for the DRV8323x device is 0.25 V to  $V_{VREF} - 0.25 \text{ V}$  (from the  $V_{LINEAR}$  specification). The differential range of the sense-amplifier input is -0.3 to +0.3 V ( $V_{DIFF}$ ).

$$V_O = 3.3 \text{ V} - 0.5 \text{ V} = 2.8 \text{ V} \quad (26)$$

$$R = \frac{2.8 \text{ V}}{A_V \times 40 \text{ A}} \quad 3 \text{ W} > 28.3^2 \times R \rightarrow R < 3.75 \text{ m}\Omega \quad (27)$$

$$3.75 \text{ m}\Omega > \frac{2.8 \text{ V}}{A_V \times 40 \text{ A}} \rightarrow A_V > 18.7 \quad (28)$$

Therefore, the gain setting must be selected as 20 V/V or 40 V/V and the value of the sense resistor must be less than 3.75 m $\Omega$  to meet the power rating for the sense resistor. For this example, the gain setting was selected as 20 V/V. The value of the resistor and worst-case current can be verified that  $R < 3.75 \text{ m}\Omega$  and  $I_{max} = 40 \text{ A}$  does not violate the differential range specification of the sense amplifier input ( $V_{SPxD}$ ).

## 10 Power Supply Recommendations

The DRV832x family of devices is designed to operate from an input voltage supply (VM) range from 6 V to 60 V. A 0.1- $\mu$ F ceramic capacitor rated for VM must be placed as close to the device as possible. In addition, a bulk capacitor must be included on the VM pin but can be shared with the bulk bypass capacitance for the external power MOSFETs. Additional bulk capacitance is required to bypass the external half-bridge MOSFETs and should be sized according to the application requirements.

### 10.1 Bulk Capacitance Sizing

Having appropriate local bulk capacitance is an important factor in motor drive system design. It is generally beneficial to have more bulk capacitance, while the disadvantages are increased cost and physical size. The amount of local capacitance depends on a variety of factors including:

- The highest current required by the motor system
- The power supply's type, capacitance, and ability to source current
- The amount of parasitic inductance between the power supply and motor system
- The acceptable supply voltage ripple
- Type of motor (brushed DC, brushless DC, stepper)
- The motor startup and braking methods

The inductance between the power supply and motor drive system will limit the rate current can change from the power supply. If the local bulk capacitance is too small, the system will respond to excessive current demands or dumps from the motor with a change in voltage. When adequate bulk capacitance is used, the motor voltage remains stable and high current can be quickly supplied.

The data sheet provides a recommended minimum value, but system level testing is required to determine the appropriate sized bulk capacitor.

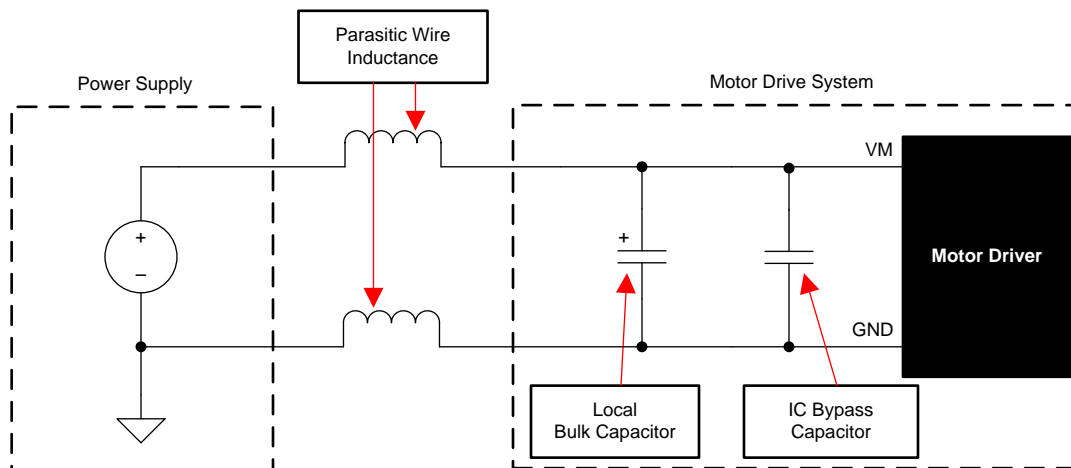


Figure 63. Motor Drive Supply Parasitics Example

## 11 Layout

### 11.1 Layout Guidelines

Bypass the VM pin to the PGND pin using a low-ESR ceramic bypass capacitor with a recommended value of 0.1  $\mu\text{F}$ . Place this capacitor as close to the VM pin as possible with a thick trace or ground plane connected to the PGND pin. Additionally, bypass the VM pin using a bulk capacitor rated for VM. This component can be electrolytic. This capacitance must be at least 10  $\mu\text{F}$ .

Additional bulk capacitance is required to bypass the high current path on the external MOSFETs. This bulk capacitance should be placed such that it minimizes the length of any high current paths through the external MOSFETs. The connecting metal traces should be as wide as possible, with numerous vias connecting PCB layers. These practices minimize inductance and let the bulk capacitor deliver high current.

Place a low-ESR ceramic capacitor between the CPL and CPH pins. This capacitor should be 47 nF, rated for VM, and be of type X5R or X7R. Additionally, place a low-ESR ceramic capacitor between the VCP and VM pins. This capacitor should be 1  $\mu\text{F}$ , rated for 16 V, and be of type X5R or X7R.

Bypass the DVDD pin to the AGND pin with a 1- $\mu\text{F}$  low-ESR ceramic capacitor rated for 6.3 V and of type X5R or X7R. Place this capacitor as close to the pin as possible and minimize the path from the capacitor to the AGND pin.

The VDRAIN pin can be shorted directly to the VM pin. However, if a significant distance is between the device and the external MOSFETs, use a dedicated trace to connect to the common point of the drains of the high-side external MOSFETs. Do not connect the SLx pins directly to PGND. Instead, use dedicated traces to connect these pins to the sources of the low-side external MOSFETs. These recommendations offer more accurate  $V_{\text{DS}}$  sensing of the external MOSFETs for overcurrent detection.

Minimize the loop length for the high-side and low-side gate drivers. The high-side loop is from the GHx pin of the device to the high-side power MOSFET gate, then follows the high-side MOSFET source back to the SHx pin. The low-side loop is from the GLx pin of the device to the low-side power MOSFET gate, then follows the low-side MOSFET source back to the PGND pin.

For additional layout guidelines and examples see the [Layout Guide for the DRV832x Family of Three-Phase Smart Gate Drivers application report](#).

#### 11.1.1 Buck-Regulator Layout Guidelines

Layout is a critical portion of good power supply design. The following guidelines help users design a PCB with the best power conversion performance, thermal performance, and minimized generation of unwanted electromagnetic interference (EMI):

- Place the feedback network resistors close to the FB pin and away from the inductor to minimize coupling noise into the feedback pin.
- Place the input bypass capacitor close to the VIN pin to decrease copper trace resistance which effects the input voltage ripple of the device.
- Place the inductor close to the SW pin to decrease magnetic and electrostatic noise.
- Place the output capacitor close to the junction of the inductor and the diode. The inductor, diode, and  $C_{\text{OUT}}$  trace should be as short as possible to decrease conducted and radiated noise and increase overall efficiency.
- Make the ground connection for the diode,  $C_{\text{VIN}}$ , and  $C_{\text{OUT}}$  as small as possible and tie it to the system ground plane in only one spot (preferably at the  $C_{\text{OUT}}$  ground point) to minimize conducted noise in the system ground plane.

For more detail on switching power supply layout considerations refer to the [AN-1149 Layout Guidelines for Switching Power Supplies application report](#).

## 11.2 Layout Example

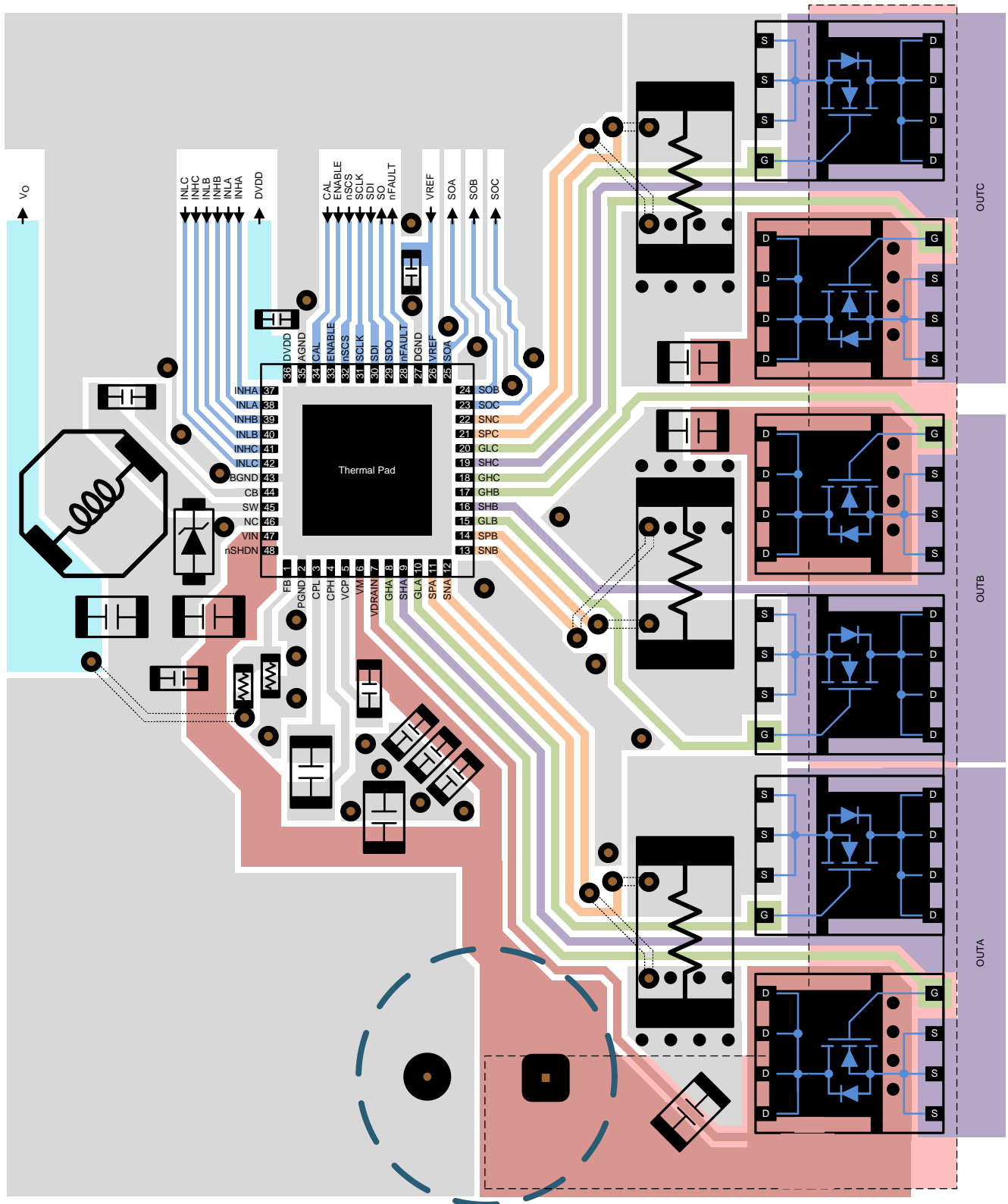


Figure 64. Layout Example

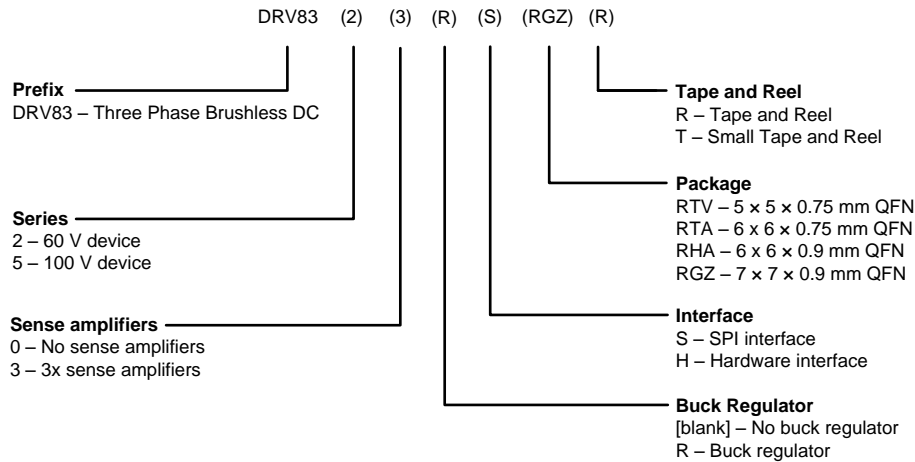


## 12 Device and Documentation Support

### 12.1 Device Support

#### 12.1.1 Device Nomenclature

The following figure shows a legend for interpreting the complete device name:



### 12.2 Documentation Support

#### 12.2.1 Related Documentation

- Texas Instruments, [Architecture for Brushless-DC Gate Drive Systems](#) application report
- Texas Instruments, [LMR16006 SIMPLE SWITCHER® 60 V 0.6 A Buck Regulators With High Efficiency Eco-mode data sheet](#)
- Texas Instruments, [Layout Guide for the DRV832x Family of Three-Phase Smart Gate Drivers](#) application report
- Texas Instruments, [AN-1149 Layout Guidelines for Switching Power Supplies](#) application report
- Texas Instruments, [Understanding IDRIVE and TDRIVE In TI Motor Gate Drivers](#) application report
- Texas Instruments, [Reduce Motor Drive BOM and PCB Area with TI Smart Gate Drive](#) TI TechNote
- Texas Instruments, [Reducing EMI Radiated Emissions with TI Smart Gate Drive](#) TI TechNote
- Texas Instruments, [Motor Drive Protection With TI Smart Gate Drive](#) TI TechNote
- Texas Instruments, [QFN/SON PCB Attachment](#) application report
- Texas Instruments, [Cut-Off Switch in High-Current Motor-Drive Applications](#) application report
- Texas Instruments, [Hardware Design Considerations for an Efficient Vacuum Cleaner using BLDC Motor](#) application report
- Texas Instruments, [Hardware Design Considerations for an Electric Bicycle using BLDC Motor](#) application report
- Texas Instruments, [Sensored 3-Phase BLDC Motor Control Using MSP430™](#) application report

#### 12.3 Related Links

The table below lists quick access links. Categories include technical documents, support and community resources, tools and software, and quick access to order now.

**Table 22. Related Links**

| PARTS    | PRODUCT FOLDER             | ORDER NOW                  | TECHNICAL DOCUMENTS        | TOOLS & SOFTWARE           | SUPPORT & COMMUNITY        |
|----------|----------------------------|----------------------------|----------------------------|----------------------------|----------------------------|
| DRV8320  | <a href="#">Click here</a> | <a href="#">Click here</a> | <a href="#">Click here</a> | <a href="#">Click here</a> | <a href="#">Click here</a> |
| DRV8320R | <a href="#">Click here</a> | <a href="#">Click here</a> | <a href="#">Click here</a> | <a href="#">Click here</a> | <a href="#">Click here</a> |

## Related Links (continued)

Table 22. Related Links (continued)

| PARTS    | PRODUCT FOLDER             | ORDER NOW                  | TECHNICAL DOCUMENTS        | TOOLS & SOFTWARE           | SUPPORT & COMMUNITY        |
|----------|----------------------------|----------------------------|----------------------------|----------------------------|----------------------------|
| DRV8323  | <a href="#">Click here</a> | <a href="#">Click here</a> | <a href="#">Click here</a> | <a href="#">Click here</a> | <a href="#">Click here</a> |
| DRV8323R | <a href="#">Click here</a> | <a href="#">Click here</a> | <a href="#">Click here</a> | <a href="#">Click here</a> | <a href="#">Click here</a> |

### 12.4 Receiving Notification of Documentation Updates

To receive notification of documentation updates, navigate to the device product folder on ti.com. In the upper right corner, click on *Alert me* to register and receive a weekly digest of any product information that has changed. For change details, review the revision history included in any revised document.

### 12.5 Community Resources

The following links connect to TI community resources. Linked contents are provided "AS IS" by the respective contributors. They do not constitute TI specifications and do not necessarily reflect TI's views; see TI's [Terms of Use](#).

**TI E2E™ Online Community** *TI's Engineer-to-Engineer (E2E) Community*. Created to foster collaboration among engineers. At e2e.ti.com, you can ask questions, share knowledge, explore ideas and help solve problems with fellow engineers.

**Design Support** *TI's Design Support* Quickly find helpful E2E forums along with design support tools and contact information for technical support.

### 12.6 Trademarks

Eco-mode, NexFET, MSP430, E2E are trademarks of Texas Instruments.  
 SIMPLE SWITCHER is a registered trademark of Texas Instruments.  
 All other trademarks are the property of their respective owners.

### 12.7 Electrostatic Discharge Caution



This integrated circuit can be damaged by ESD. Texas Instruments recommends that all integrated circuits be handled with appropriate precautions. Failure to observe proper handling and installation procedures can cause damage.

ESD damage can range from subtle performance degradation to complete device failure. Precision integrated circuits may be more susceptible to damage because very small parametric changes could cause the device not to meet its published specifications.

### 12.8 Glossary

[SLYZ022](#) — *TI Glossary*.

This glossary lists and explains terms, acronyms, and definitions.

## 13 Mechanical, Packaging, and Orderable Information

The following pages include mechanical, packaging, and orderable information. This information is the most current data available for the designated devices. This data is subject to change without notice and revision of this document. For browser-based versions of this data sheet, refer to the left-hand navigation.

**PACKAGING INFORMATION**

| Orderable Device | Status<br>(1) | Package Type | Package Drawing | Pins | Package Qty | Eco Plan<br>(2) | Lead finish/<br>Ball material<br>(6) | MSL Peak Temp<br>(3) | Op Temp (°C) | Device Marking<br>(4/5) | Samples                 |
|------------------|---------------|--------------|-----------------|------|-------------|-----------------|--------------------------------------|----------------------|--------------|-------------------------|-------------------------|
| DRV8320HRTVR     | ACTIVE        | WQFN         | RTV             | 32   | 3000        | RoHS & Green    | NIPDAU                               | Level-2-260C-1 YEAR  | -40 to 125   | DRV8320H                | <a href="#">Samples</a> |
| DRV8320HRTVT     | ACTIVE        | WQFN         | RTV             | 32   | 250         | RoHS & Green    | NIPDAU                               | Level-2-260C-1 YEAR  | -40 to 125   | DRV8320H                | <a href="#">Samples</a> |
| DRV8320RHRHAR    | ACTIVE        | VQFN         | RHA             | 40   | 2500        | RoHS & Green    | NIPDAU                               | Level-2-260C-1 YEAR  | -40 to 125   | DRV<br>8320RH           | <a href="#">Samples</a> |
| DRV8320RHRHAT    | ACTIVE        | VQFN         | RHA             | 40   | 250         | RoHS & Green    | NIPDAU                               | Level-2-260C-1 YEAR  | -40 to 125   | DRV<br>8320RH           | <a href="#">Samples</a> |
| DRV8320RSRHAR    | ACTIVE        | VQFN         | RHA             | 40   | 2500        | RoHS & Green    | NIPDAU                               | Level-2-260C-1 YEAR  | -40 to 125   | DRV<br>8320RS           | <a href="#">Samples</a> |
| DRV8320RSRHAT    | ACTIVE        | VQFN         | RHA             | 40   | 250         | RoHS & Green    | NIPDAU                               | Level-2-260C-1 YEAR  | -40 to 125   | DRV<br>8320RS           | <a href="#">Samples</a> |
| DRV8320SRTVR     | ACTIVE        | WQFN         | RTV             | 32   | 3000        | RoHS & Green    | NIPDAU                               | Level-2-260C-1 YEAR  | -40 to 125   | DRV8320S                | <a href="#">Samples</a> |
| DRV8320SRTVT     | ACTIVE        | WQFN         | RTV             | 32   | 250         | RoHS & Green    | Call TI   NIPDAU                     | Level-2-260C-1 YEAR  | -40 to 125   | DRV8320S                | <a href="#">Samples</a> |
| DRV8323HRTAR     | ACTIVE        | WQFN         | RTA             | 40   | 2500        | RoHS & Green    | NIPDAU                               | Level-2-260C-1 YEAR  | -40 to 125   | DRV8323H                | <a href="#">Samples</a> |
| DRV8323HRTAT     | ACTIVE        | WQFN         | RTA             | 40   | 250         | RoHS & Green    | NIPDAU                               | Level-2-260C-1 YEAR  | -40 to 125   | DRV8323H                | <a href="#">Samples</a> |
| DRV8323RHRGZR    | ACTIVE        | VQFN         | RGZ             | 48   | 2500        | RoHS & Green    | NIPDAU                               | Level-2-260C-1 YEAR  | -40 to 125   | DRV8323RH               | <a href="#">Samples</a> |
| DRV8323RHRGZT    | ACTIVE        | VQFN         | RGZ             | 48   | 250         | RoHS & Green    | NIPDAU                               | Level-2-260C-1 YEAR  | -40 to 125   | DRV8323RH               | <a href="#">Samples</a> |
| DRV8323RSRGZR    | ACTIVE        | VQFN         | RGZ             | 48   | 2500        | RoHS & Green    | NIPDAU                               | Level-2-260C-1 YEAR  | -40 to 125   | DRV8323RS               | <a href="#">Samples</a> |
| DRV8323RSRGZT    | ACTIVE        | VQFN         | RGZ             | 48   | 250         | RoHS & Green    | NIPDAU                               | Level-2-260C-1 YEAR  | -40 to 125   | DRV8323RS               | <a href="#">Samples</a> |
| DRV8323SRTAR     | ACTIVE        | WQFN         | RTA             | 40   | 2500        | RoHS & Green    | NIPDAU                               | Level-2-260C-1 YEAR  | -40 to 125   | DRV8323S                | <a href="#">Samples</a> |
| DRV8323SRTAT     | ACTIVE        | WQFN         | RTA             | 40   | 250         | RoHS & Green    | NIPDAU                               | Level-2-260C-1 YEAR  | -40 to 125   | DRV8323S                | <a href="#">Samples</a> |

(1) The marketing status values are defined as follows:

**ACTIVE:** Product device recommended for new designs.

**LIFEBUY:** TI has announced that the device will be discontinued, and a lifetime-buy period is in effect.

**NRND:** Not recommended for new designs. Device is in production to support existing customers, but TI does not recommend using this part in a new design.

**PREVIEW:** Device has been announced but is not in production. Samples may or may not be available.

**OBSOLETE:** TI has discontinued the production of the device.

<sup>(2)</sup> **RoHS:** TI defines "RoHS" to mean semiconductor products that are compliant with the current EU RoHS requirements for all 10 RoHS substances, including the requirement that RoHS substance do not exceed 0.1% by weight in homogeneous materials. Where designed to be soldered at high temperatures, "RoHS" products are suitable for use in specified lead-free processes. TI may reference these types of products as "Pb-Free".

**RoHS Exempt:** TI defines "RoHS Exempt" to mean products that contain lead but are compliant with EU RoHS pursuant to a specific EU RoHS exemption.

**Green:** TI defines "Green" to mean the content of Chlorine (Cl) and Bromine (Br) based flame retardants meet JS709B low halogen requirements of  $\leq 1000$ ppm threshold. Antimony trioxide based flame retardants must also meet the  $\leq 1000$ ppm threshold requirement.

<sup>(3)</sup> MSL, Peak Temp. - The Moisture Sensitivity Level rating according to the JEDEC industry standard classifications, and peak solder temperature.

<sup>(4)</sup> There may be additional marking, which relates to the logo, the lot trace code information, or the environmental category on the device.

<sup>(5)</sup> Multiple Device Markings will be inside parentheses. Only one Device Marking contained in parentheses and separated by a "-" will appear on a device. If a line is indented then it is a continuation of the previous line and the two combined represent the entire Device Marking for that device.

<sup>(6)</sup> Lead finish/Ball material - Orderable Devices may have multiple material finish options. Finish options are separated by a vertical ruled line. Lead finish/Ball material values may wrap to two lines if the finish value exceeds the maximum column width.

**Important Information and Disclaimer:** The information provided on this page represents TI's knowledge and belief as of the date that it is provided. TI bases its knowledge and belief on information provided by third parties, and makes no representation or warranty as to the accuracy of such information. Efforts are underway to better integrate information from third parties. TI has taken and continues to take reasonable steps to provide representative and accurate information but may not have conducted destructive testing or chemical analysis on incoming materials and chemicals. TI and TI suppliers consider certain information to be proprietary, and thus CAS numbers and other limited information may not be available for release.

In no event shall TI's liability arising out of such information exceed the total purchase price of the TI part(s) at issue in this document sold by TI to Customer on an annual basis.

## TAPE AND REEL INFORMATION



### QUADRANT ASSIGNMENTS FOR PIN 1 ORIENTATION IN TAPE



\*All dimensions are nominal

| Device        | Package Type | Package Drawing | Pins | SPQ  | Reel Diameter (mm) | Reel Width W1 (mm) | A0 (mm) | B0 (mm) | K0 (mm) | P1 (mm) | W (mm) | Pin1 Quadrant |
|---------------|--------------|-----------------|------|------|--------------------|--------------------|---------|---------|---------|---------|--------|---------------|
| DRV8320HRTVR  | WQFN         | RTV             | 32   | 3000 | 330.0              | 12.4               | 5.3     | 5.3     | 1.1     | 8.0     | 12.0   | Q2            |
| DRV8320HRTVT  | WQFN         | RTV             | 32   | 250  | 180.0              | 12.4               | 5.3     | 5.3     | 1.1     | 8.0     | 12.0   | Q2            |
| DRV8320RHRHAR | VQFN         | RHA             | 40   | 2500 | 330.0              | 16.4               | 6.3     | 6.3     | 1.1     | 12.0    | 16.0   | Q2            |
| DRV8320RHRHAT | VQFN         | RHA             | 40   | 250  | 180.0              | 16.4               | 6.3     | 6.3     | 1.1     | 12.0    | 16.0   | Q2            |
| DRV8320RSRHAR | VQFN         | RHA             | 40   | 2500 | 330.0              | 16.4               | 6.3     | 6.3     | 1.1     | 12.0    | 16.0   | Q2            |
| DRV8320RSRHAT | VQFN         | RHA             | 40   | 250  | 180.0              | 16.4               | 6.3     | 6.3     | 1.1     | 12.0    | 16.0   | Q2            |
| DRV8320SRTVR  | WQFN         | RTV             | 32   | 3000 | 330.0              | 12.4               | 5.3     | 5.3     | 1.1     | 8.0     | 12.0   | Q2            |
| DRV8320SRTVT  | WQFN         | RTV             | 32   | 250  | 180.0              | 12.4               | 5.3     | 5.3     | 1.1     | 8.0     | 12.0   | Q2            |
| DRV8323HRTAR  | WQFN         | RTA             | 40   | 2500 | 330.0              | 16.4               | 6.3     | 6.3     | 1.1     | 12.0    | 16.0   | Q2            |
| DRV8323HRTAT  | WQFN         | RTA             | 40   | 250  | 180.0              | 16.4               | 6.3     | 6.3     | 1.1     | 12.0    | 16.0   | Q2            |
| DRV8323RHRGZR | VQFN         | RGZ             | 48   | 2500 | 330.0              | 16.4               | 7.3     | 7.3     | 1.1     | 12.0    | 16.0   | Q2            |
| DRV8323RHRGZT | VQFN         | RGZ             | 48   | 250  | 180.0              | 16.4               | 7.3     | 7.3     | 1.1     | 12.0    | 16.0   | Q2            |
| DRV8323RSRGZR | VQFN         | RGZ             | 48   | 2500 | 330.0              | 16.4               | 7.3     | 7.3     | 1.1     | 12.0    | 16.0   | Q2            |
| DRV8323RSRGZT | VQFN         | RGZ             | 48   | 250  | 180.0              | 16.4               | 7.3     | 7.3     | 1.1     | 12.0    | 16.0   | Q2            |
| DRV8323SRTAR  | WQFN         | RTA             | 40   | 2500 | 330.0              | 16.4               | 6.3     | 6.3     | 1.1     | 12.0    | 16.0   | Q2            |
| DRV8323SRTAT  | WQFN         | RTA             | 40   | 250  | 180.0              | 16.4               | 6.3     | 6.3     | 1.1     | 12.0    | 16.0   | Q2            |

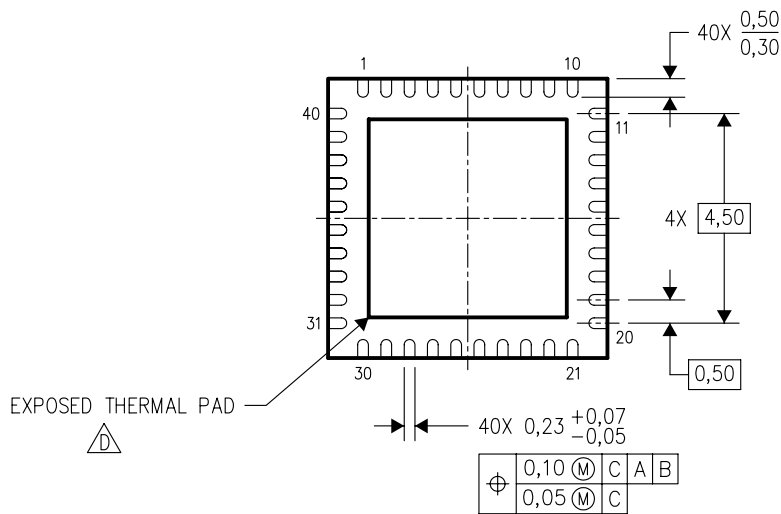
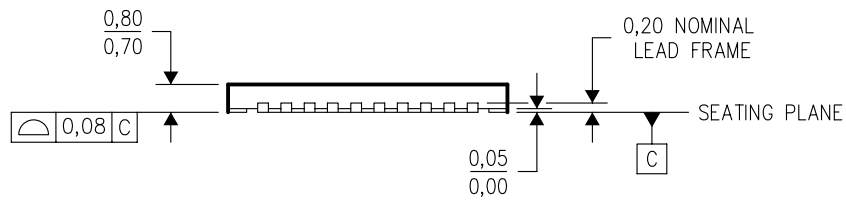
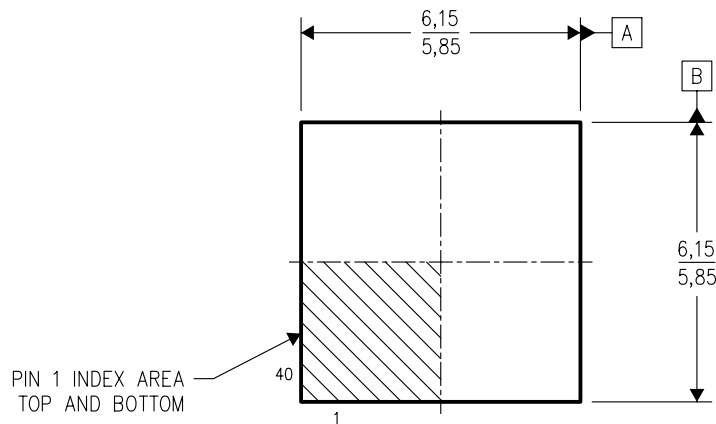
**TAPE AND REEL BOX DIMENSIONS**


\*All dimensions are nominal

| Device        | Package Type | Package Drawing | Pins | SPQ  | Length (mm) | Width (mm) | Height (mm) |
|---------------|--------------|-----------------|------|------|-------------|------------|-------------|
| DRV8320HRTVR  | WQFN         | RTV             | 32   | 3000 | 367.0       | 367.0      | 35.0        |
| DRV8320HRTVT  | WQFN         | RTV             | 32   | 250  | 210.0       | 185.0      | 35.0        |
| DRV8320RHRHAR | VQFN         | RHA             | 40   | 2500 | 367.0       | 367.0      | 38.0        |
| DRV8320RHRHAT | VQFN         | RHA             | 40   | 250  | 210.0       | 185.0      | 35.0        |
| DRV8320RSRHAR | VQFN         | RHA             | 40   | 2500 | 367.0       | 367.0      | 38.0        |
| DRV8320RSRHAT | VQFN         | RHA             | 40   | 250  | 210.0       | 185.0      | 35.0        |
| DRV8320SRTVR  | WQFN         | RTV             | 32   | 3000 | 367.0       | 367.0      | 35.0        |
| DRV8320SRTVT  | WQFN         | RTV             | 32   | 250  | 210.0       | 185.0      | 35.0        |
| DRV8323HRTAR  | WQFN         | RTA             | 40   | 2500 | 367.0       | 367.0      | 38.0        |
| DRV8323HRTAT  | WQFN         | RTA             | 40   | 250  | 210.0       | 185.0      | 35.0        |
| DRV8323RHRGZR | VQFN         | RGZ             | 48   | 2500 | 367.0       | 367.0      | 38.0        |
| DRV8323RHRGZT | VQFN         | RGZ             | 48   | 250  | 210.0       | 185.0      | 35.0        |
| DRV8323RSRGZR | VQFN         | RGZ             | 48   | 2500 | 367.0       | 367.0      | 38.0        |
| DRV8323RSRGZT | VQFN         | RGZ             | 48   | 250  | 210.0       | 185.0      | 35.0        |
| DRV8323SRTAR  | WQFN         | RTA             | 40   | 2500 | 367.0       | 367.0      | 38.0        |
| DRV8323SRTAT  | WQFN         | RTA             | 40   | 250  | 210.0       | 185.0      | 35.0        |

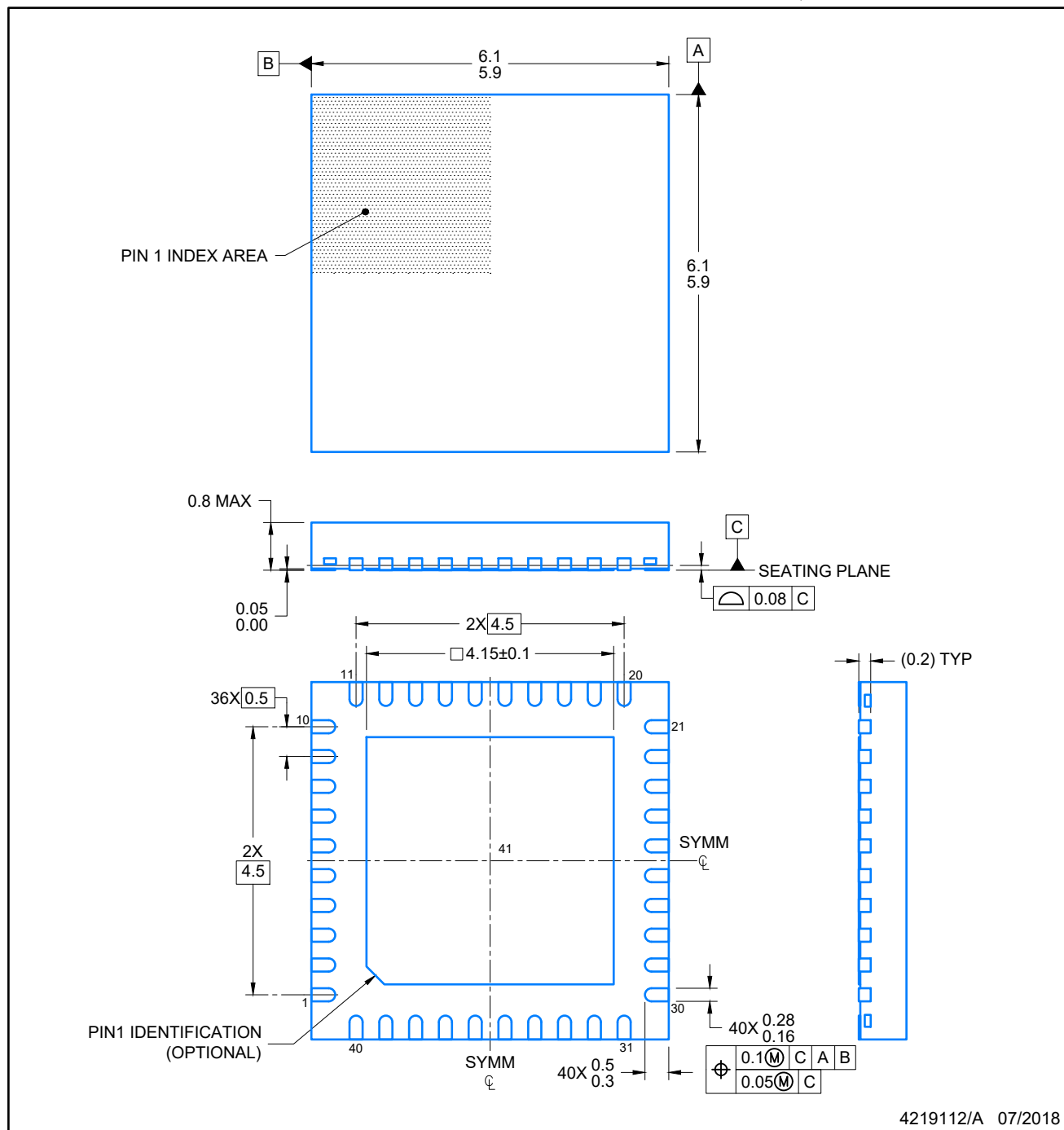
RTA (S-PQFP-N40)

PLASTIC QUAD FLATPACK



4204422/B 11/04

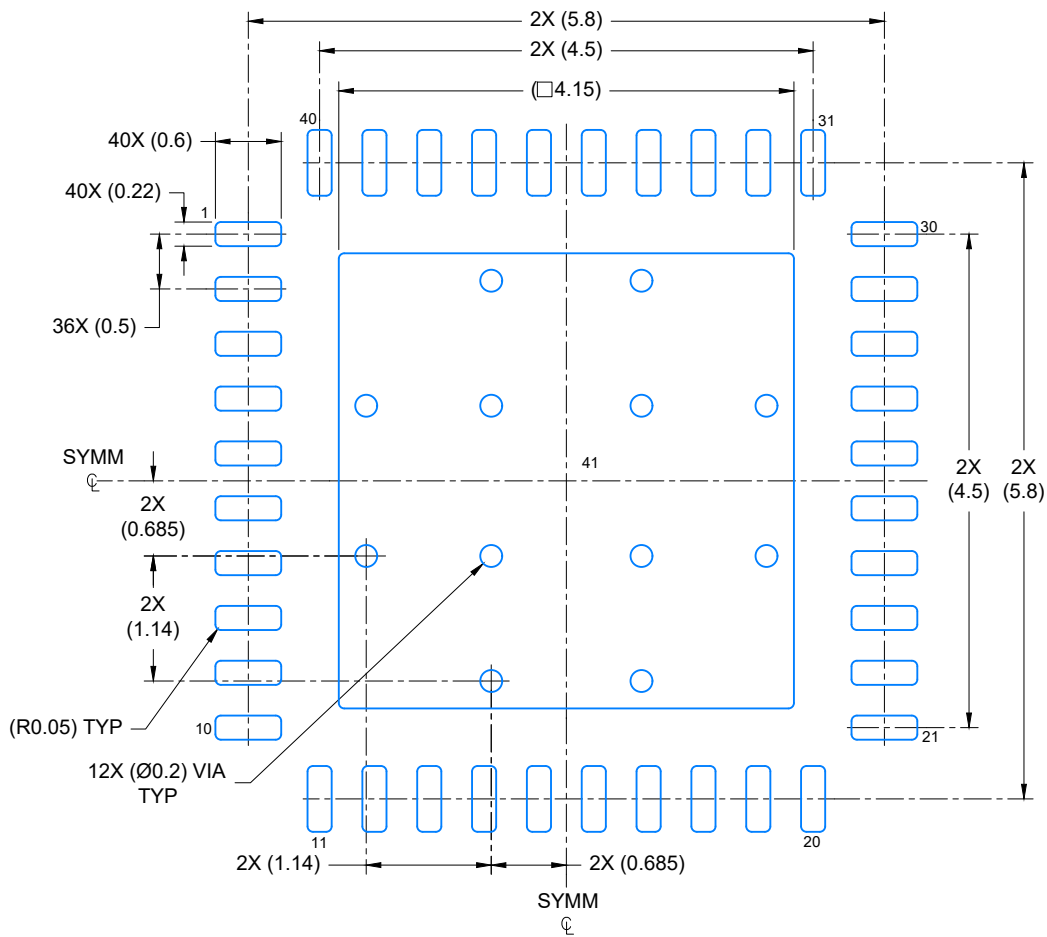
- NOTES:
- A. All linear dimensions are in millimeters. Dimensioning and tolerancing per ASME Y14.5M-1994.
  - B. This drawing is subject to change without notice.
  - C. QFN (Quad Flatpack No-Lead) Package configuration.
  - The package thermal pad must be soldered to the board for thermal and mechanical performance. See the Product Data Sheet for details regarding the exposed thermal pad dimensions.



NOTES:

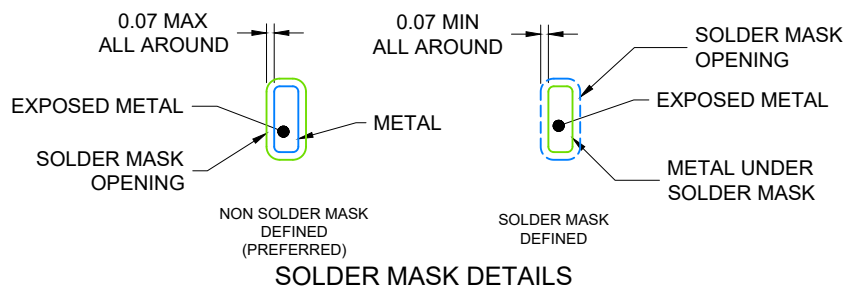
1. All linear dimensions are in millimeters. Any dimensions in parenthesis are for reference only. Dimensioning and tolerancing per ASME Y14.5M.
2. This drawing is subject to change without notice.
3. The package thermal pad must be soldered to the printed circuit board for optimal thermal and mechanical performance.





LAND PATTERN EXAMPLE

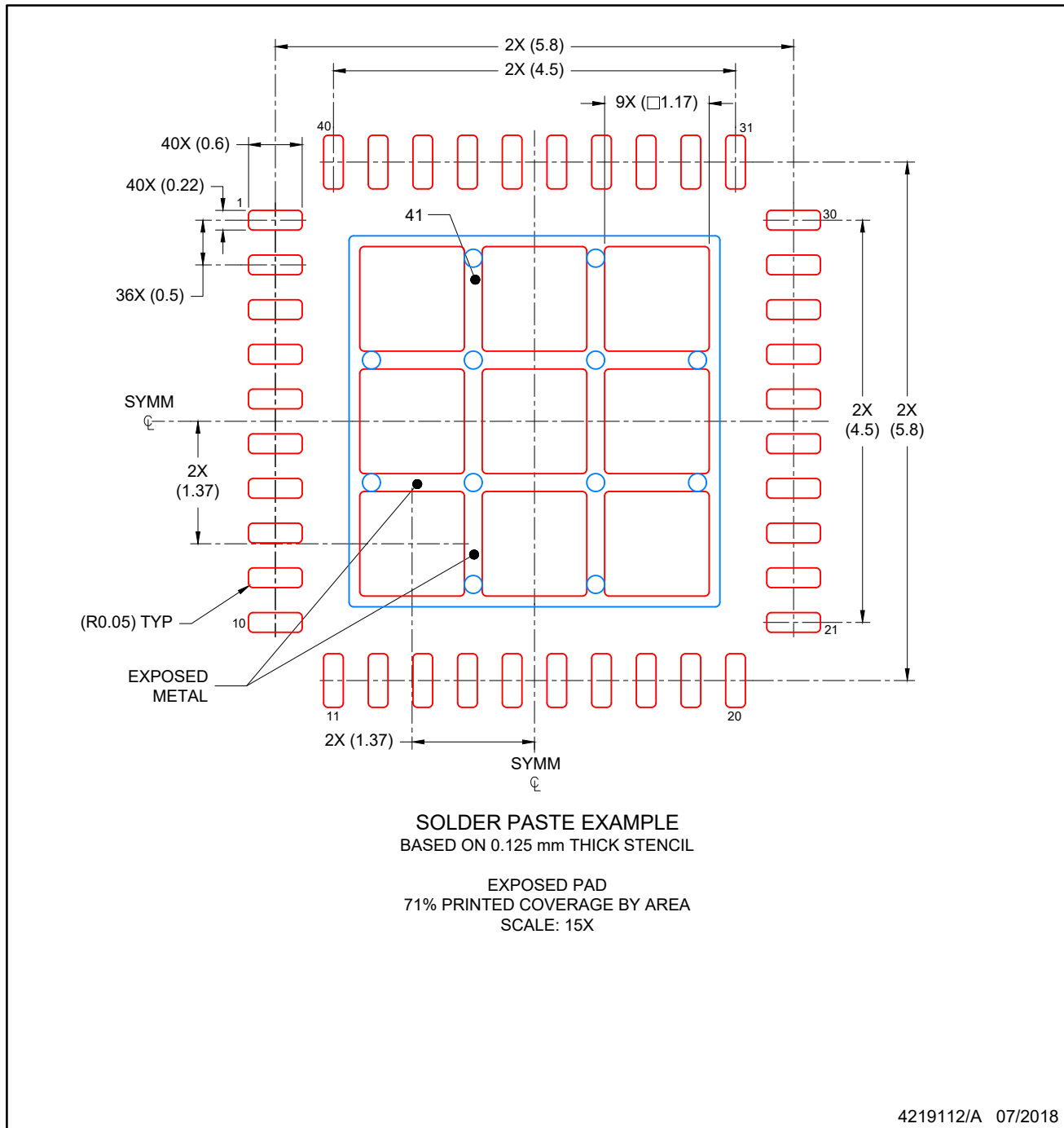
SCALE: 15X



4219112/A 07/2018

NOTES: (continued)

4. This package is designed to be soldered to a thermal pad on the board. For more information, see Texas Instruments literature number SLUA271 ([www.ti.com/lit/slue271](http://www.ti.com/lit/slue271)).
5. Vias are optional depending on application, refer to device data sheet. If any vias are implemented, refer to their locations shown on this view. It is recommended that vias under paste be filled, plugged or tented.



NOTES: (continued)

6. Laser cutting apertures with trapezoidal walls and rounded corners may offer better paste release. IPC-7525 may have alternate design recommendations.

## GENERIC PACKAGE VIEW

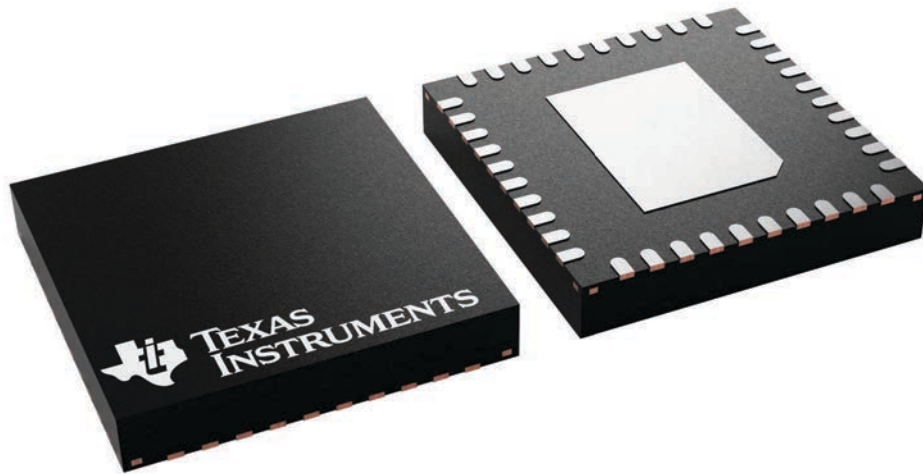
**RHA 40**

**VQFN - 1 mm max height**

6 x 6, 0.5 mm pitch

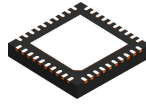
PLASTIC QUAD FLATPACK - NO LEAD

This image is a representation of the package family, actual package may vary.  
Refer to the product data sheet for package details.



4225870/A

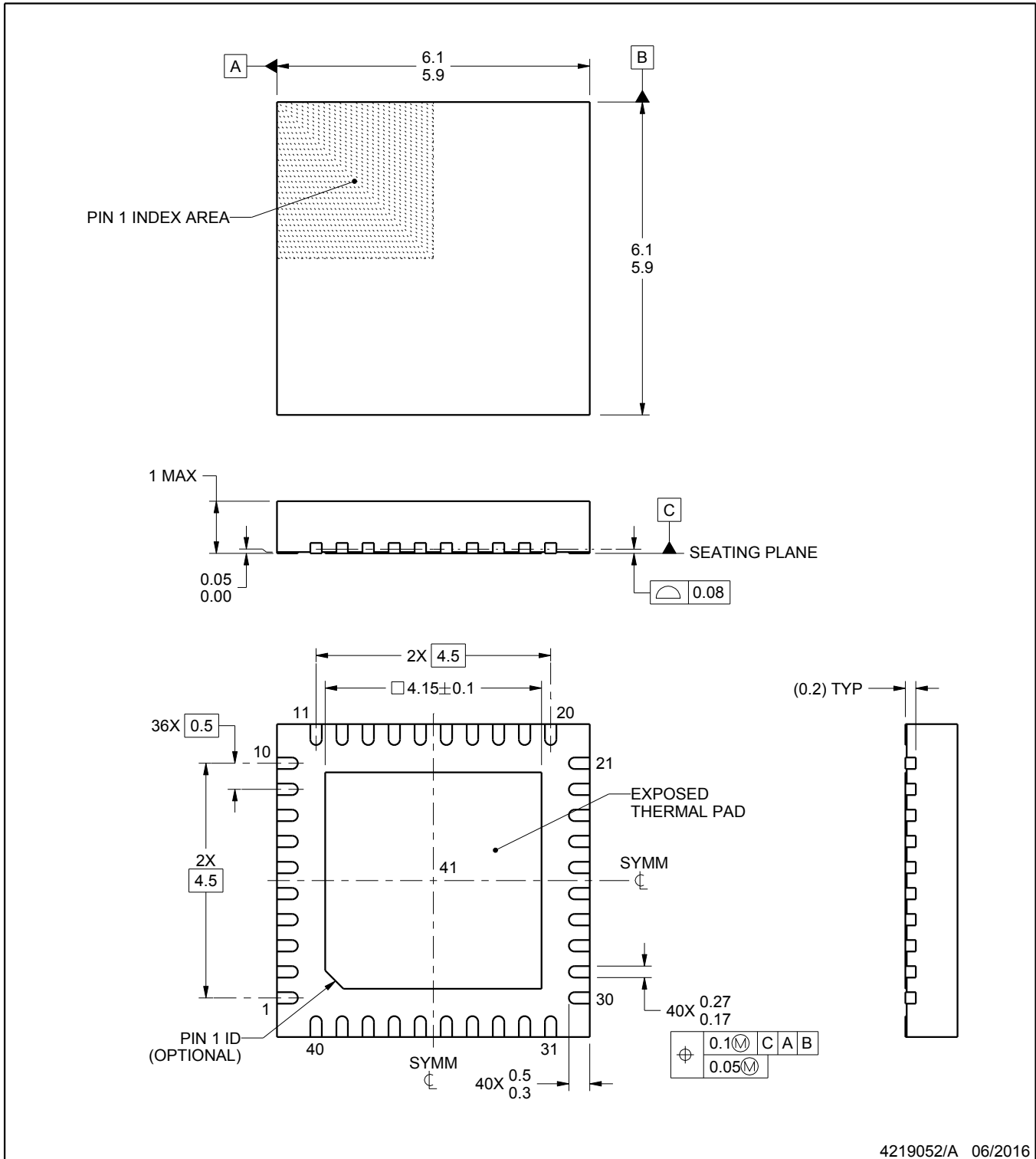
# RHA0040B



## PACKAGE OUTLINE

### VQFN - 1 mm max height

PLASTIC QUAD FLATPACK - NO LEAD



4219052/A 06/2016

**NOTES:**

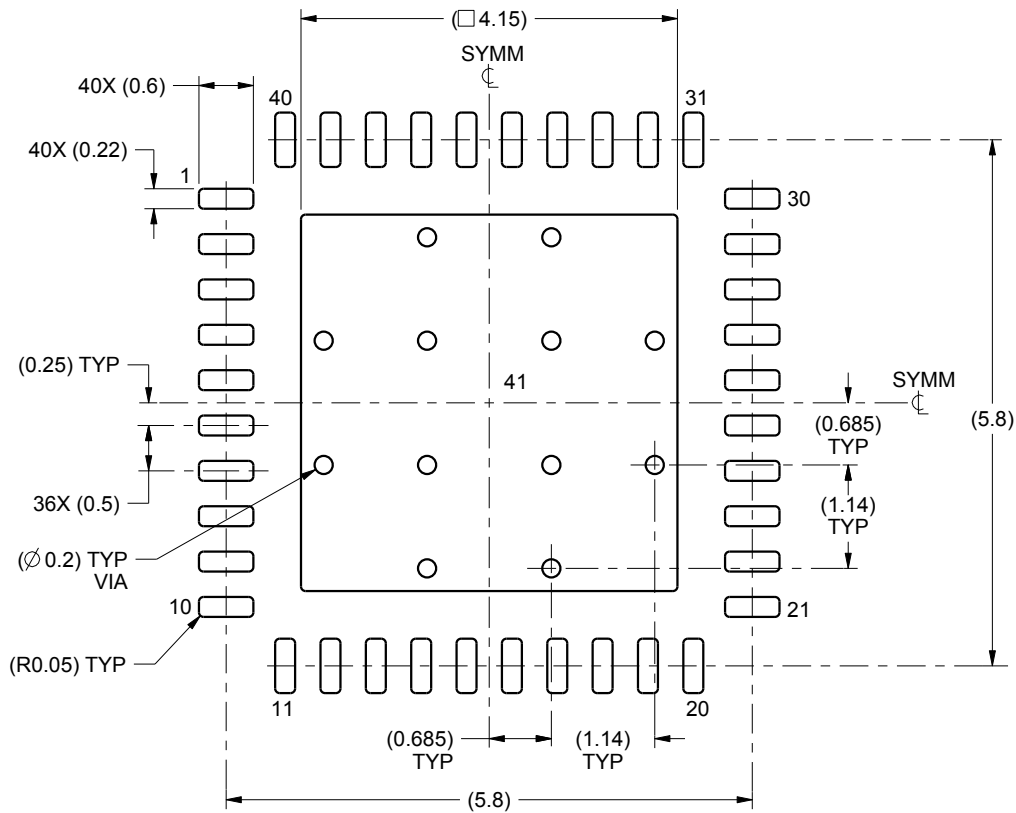
1. All linear dimensions are in millimeters. Any dimensions in parenthesis are for reference only. Dimensioning and tolerancing per ASME Y14.5M.
2. This drawing is subject to change without notice.
3. The package thermal pad must be soldered to the printed circuit board for thermal and mechanical performance.

# EXAMPLE BOARD LAYOUT

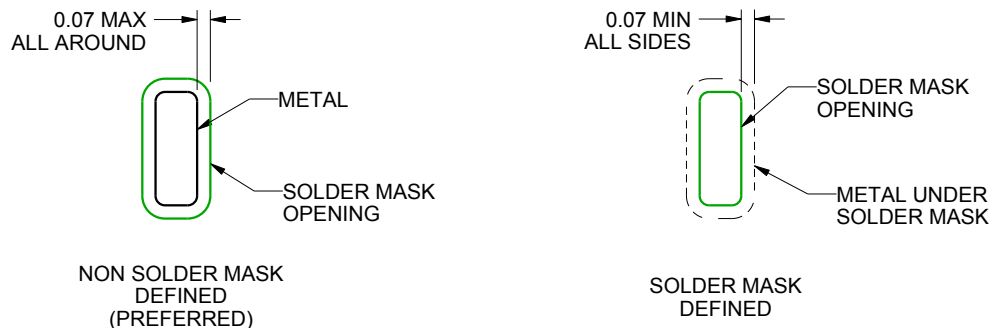
RHA0040B

VQFN - 1 mm max height

PLASTIC QUAD FLATPACK - NO LEAD



LAND PATTERN EXAMPLE  
SCALE:12X



SOLDER MASK DETAILS

4219052/A 06/2016

NOTES: (continued)

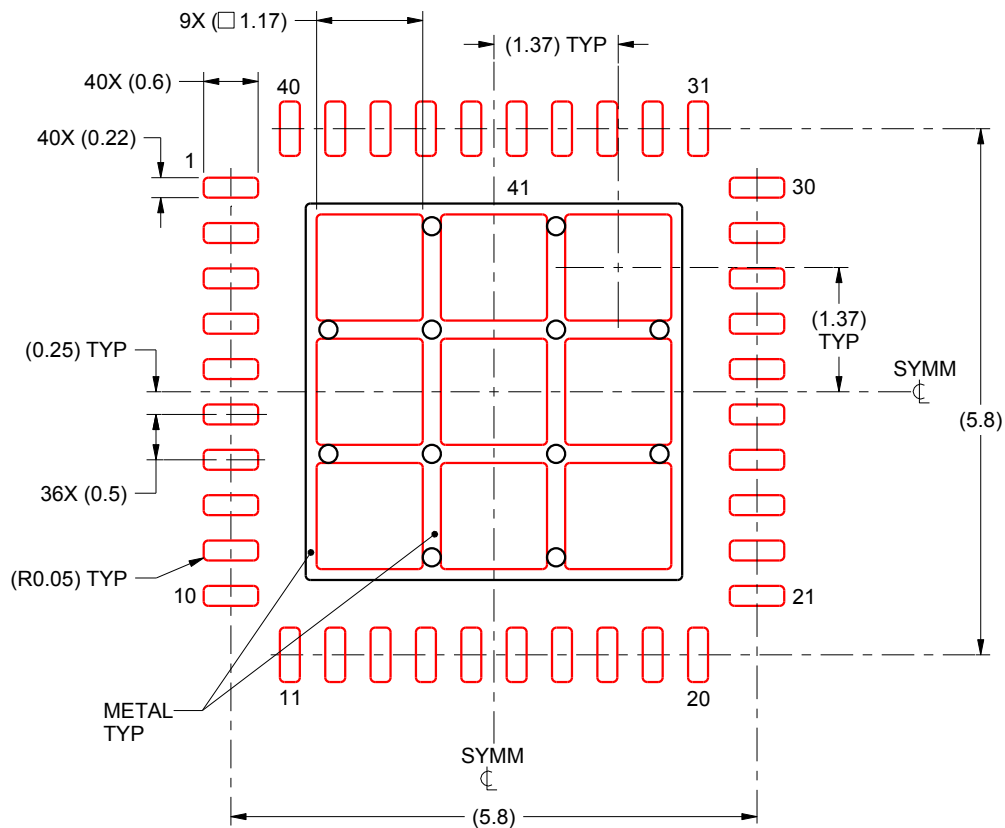
4. This package is designed to be soldered to a thermal pad on the board. For more information, see Texas Instruments literature number SLUA271 ([www.ti.com/lit/slua271](http://www.ti.com/lit/slua271)).

# EXAMPLE STENCIL DESIGN

RHA0040B

VQFN - 1 mm max height

PLASTIC QUAD FLATPACK - NO LEAD



**SOLDER PASTE EXAMPLE**  
BASED ON 0.125 mm THICK STENCIL

EXPOSED PAD 41:  
72% PRINTED SOLDER COVERAGE BY AREA UNDER PACKAGE  
SCALE:12X

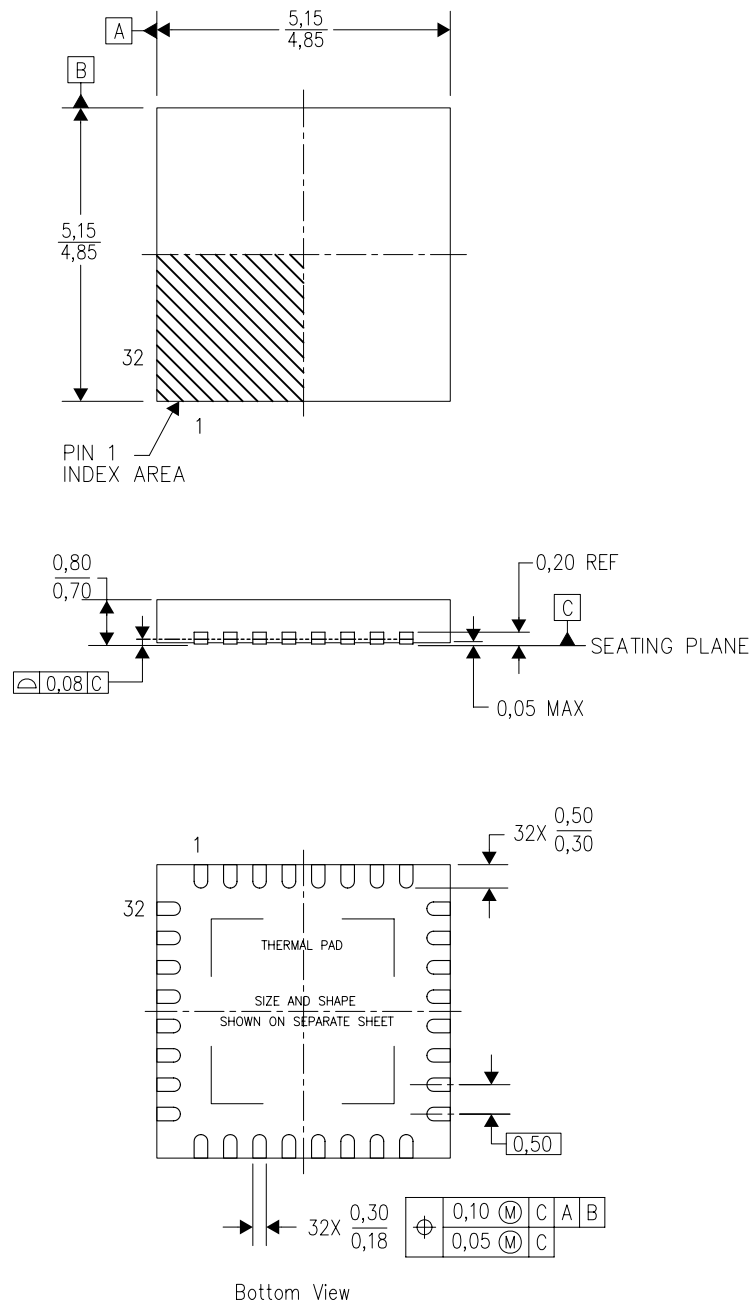
4219052/A 06/2016

NOTES: (continued)

5. Laser cutting apertures with trapezoidal walls and rounded corners may offer better paste release. IPC-7525 may have alternate design recommendations.

RTV (S-PWQFN-N32)

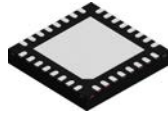
PLASTIC QUAD FLATPACK NO-LEAD



4206245/C 10/11

- NOTES:
- All linear dimensions are in millimeters. Dimensioning and tolerancing per ASME Y14.5-1994.
  - This drawing is subject to change without notice.
  - Quad Flatpack, No-Leads (QFN) package configuration.
  - The package thermal pad must be soldered to the board for thermal and mechanical performance.
  - See the additional figure in the Product Data Sheet for details regarding the exposed thermal pad features and dimensions.
  - Falls within JEDEC MO-220.

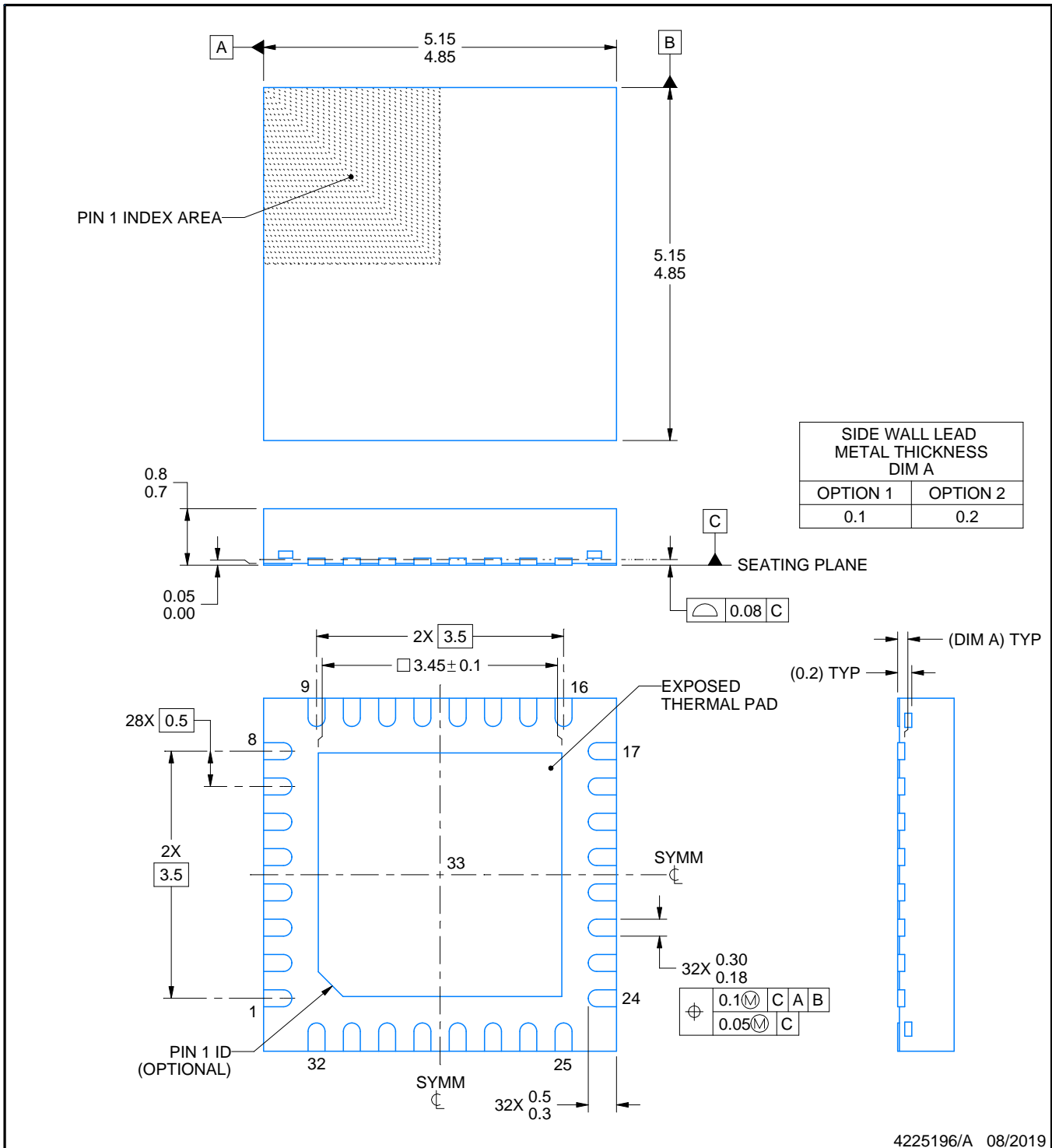
# RTV0032E



## PACKAGE OUTLINE

WQFN - 0.8 mm max height

PLASTIC QUAD FLATPACK - NO LEAD



4225196/A 08/2019

**NOTES:**

1. All linear dimensions are in millimeters. Any dimensions in parenthesis are for reference only. Dimensioning and tolerancing per ASME Y14.5M.
2. This drawing is subject to change without notice.
3. The package thermal pad must be soldered to the printed circuit board for thermal and mechanical performance.

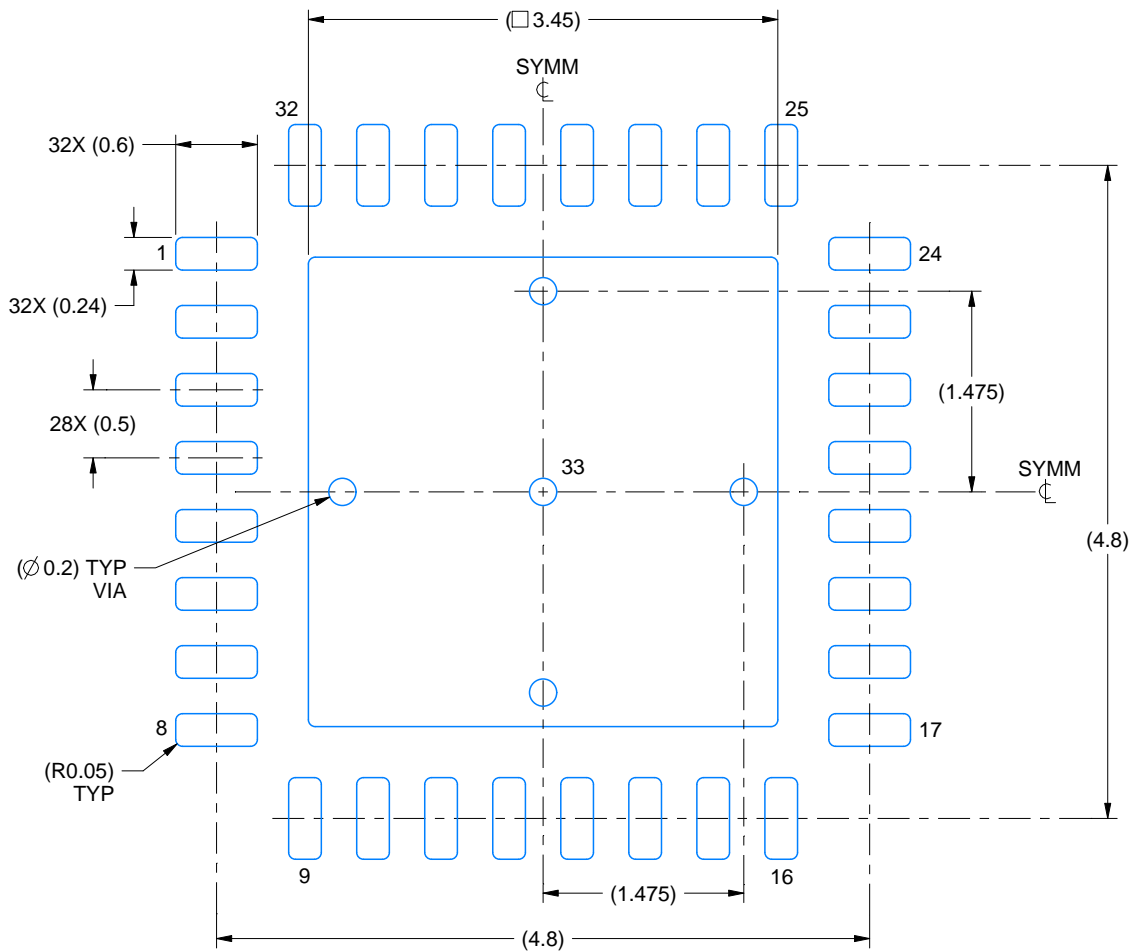


# EXAMPLE BOARD LAYOUT

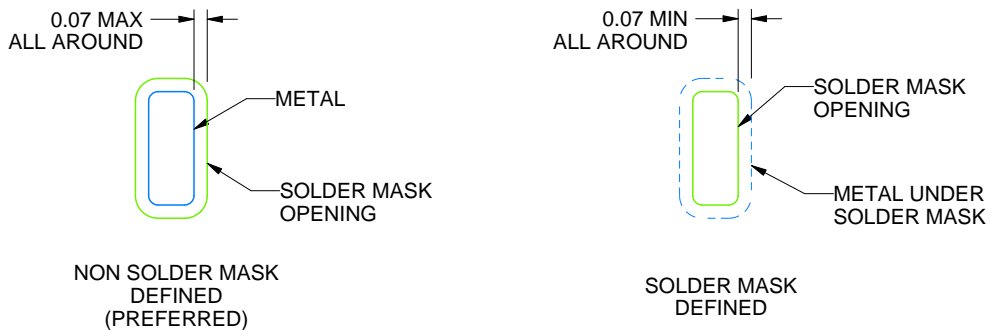
RTV0032E

WQFN - 0.8 mm max height

PLASTIC QUAD FLATPACK - NO LEAD



LAND PATTERN EXAMPLE  
SCALE:18X



SOLDER MASK DETAILS

4225196/A 08/2019

NOTES: (continued)

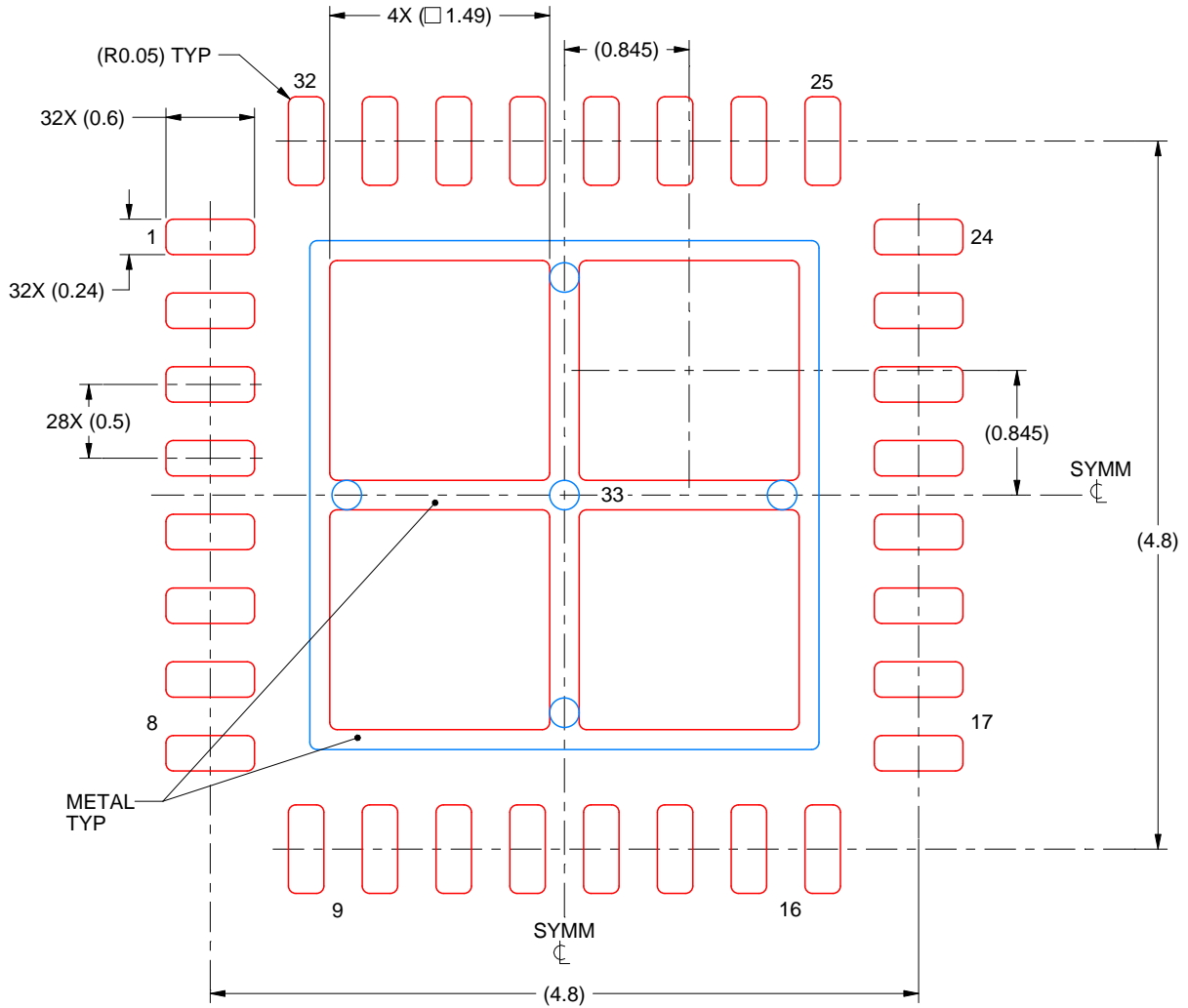
4. This package is designed to be soldered to a thermal pad on the board. For more information, see Texas Instruments literature number SLUA271 ([www.ti.com/lit/slua271](http://www.ti.com/lit/slua271)).
5. Vias are optional depending on application, refer to device data sheet. If any vias are implemented, refer to their locations shown on this view. It is recommended that vias under paste be filled, plugged or tented.

# EXAMPLE STENCIL DESIGN

RTV0032E

WQFN - 0.8 mm max height

PLASTIC QUAD FLATPACK - NO LEAD



**SOLDER PASTE EXAMPLE**  
 BASED ON 0.125 mm THICK STENCIL

EXPOSED PAD 33:  
 75% PRINTED SOLDER COVERAGE BY AREA UNDER PACKAGE  
 SCALE:20X

4225196/A 08/2019

NOTES: (continued)

6. Laser cutting apertures with trapezoidal walls and rounded corners may offer better paste release. IPC-7525 may have alternate design recommendations.

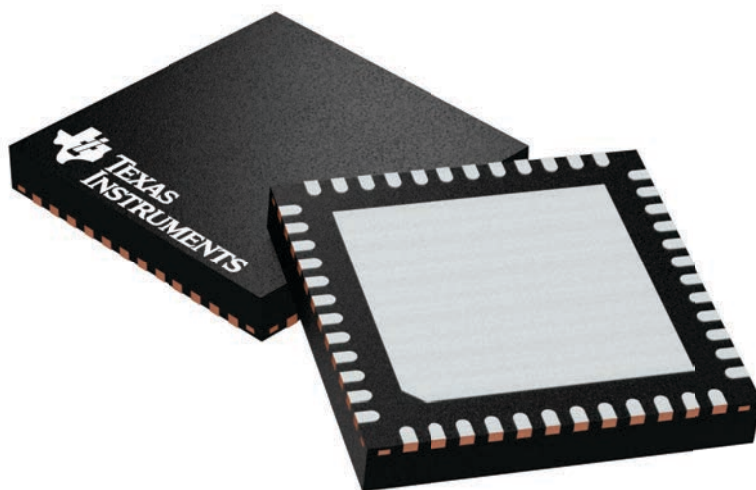
## GENERIC PACKAGE VIEW

**RGZ 48**

**VQFN - 1 mm max height**

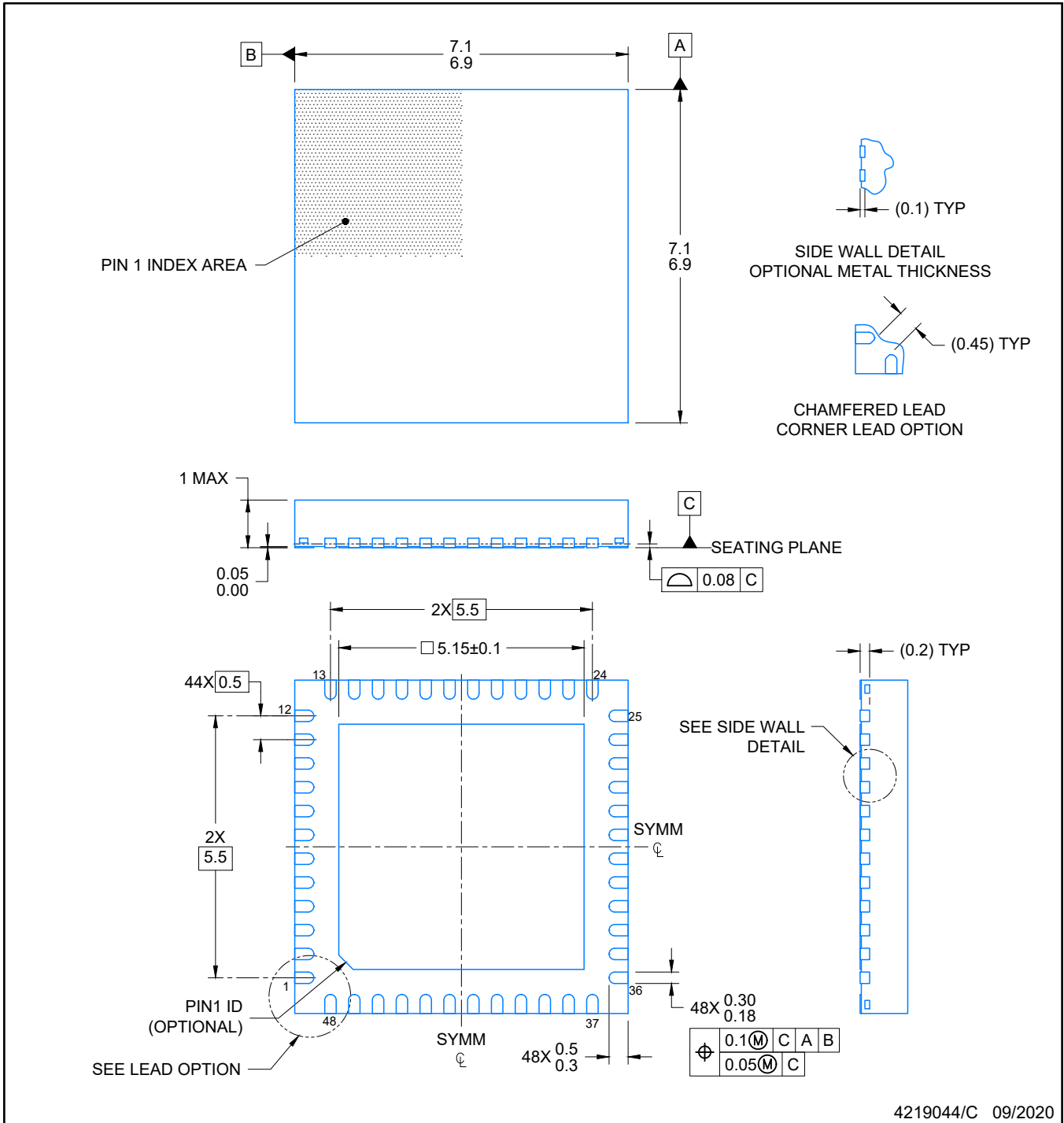
7 x 7, 0.5 mm pitch

PLASTIC QUADFLAT PACK- NO LEAD



Images above are just a representation of the package family, actual package may vary.  
Refer to the product data sheet for package details.

4224671/A



4219044/C 09/2020

NOTES:

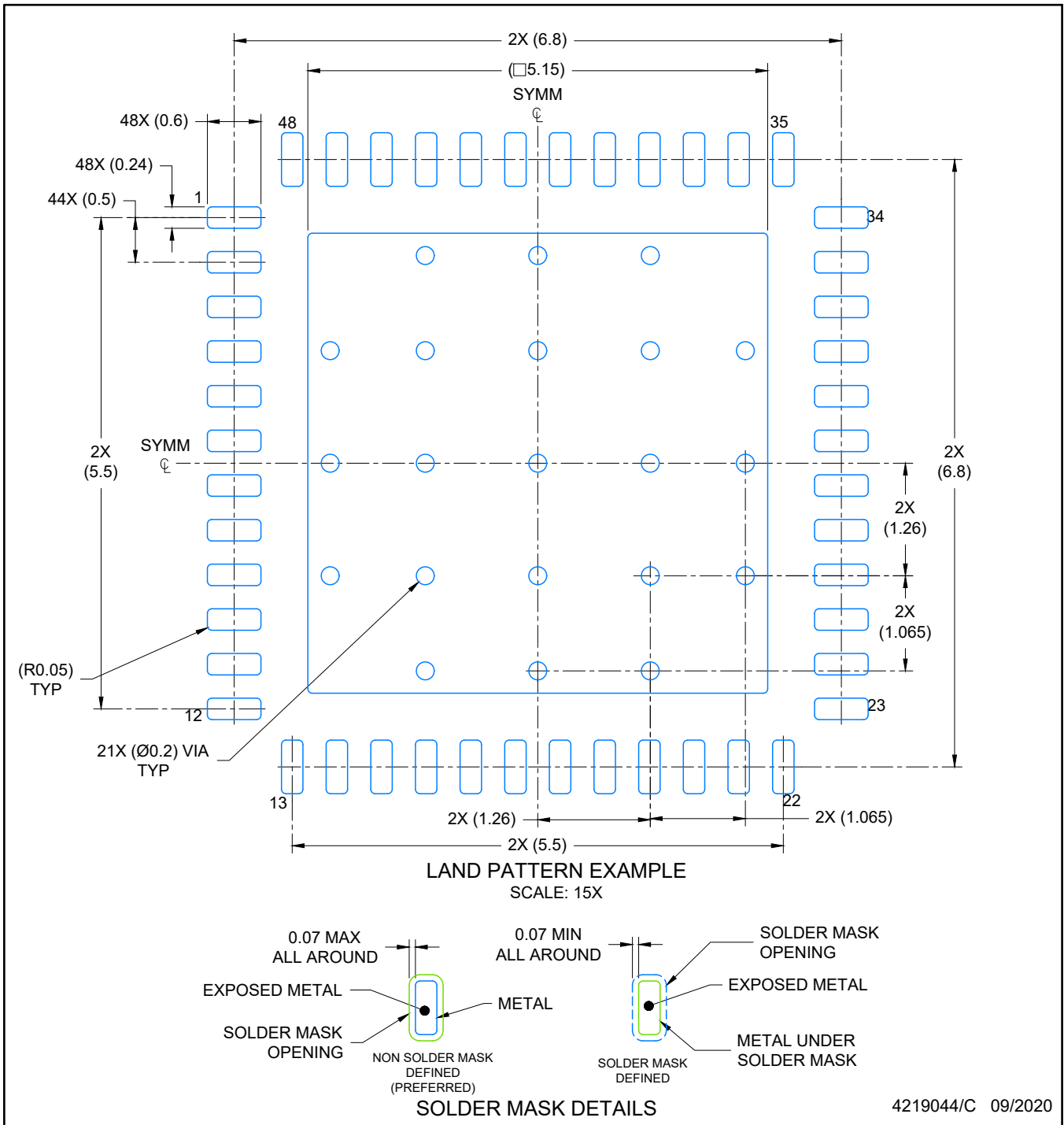
1. All linear dimensions are in millimeters. Any dimensions in parenthesis are for reference only. Dimensioning and tolerancing per ASME Y14.5M.
2. This drawing is subject to change without notice.
3. The package thermal pad must be soldered to the printed circuit board for optimal thermal and mechanical performance.

# EXAMPLE BOARD LAYOUT

RGZ0048A

VQFN - 1 mm max height

PLASTIC QUADFLAT PACK- NO LEAD



NOTES: (continued)

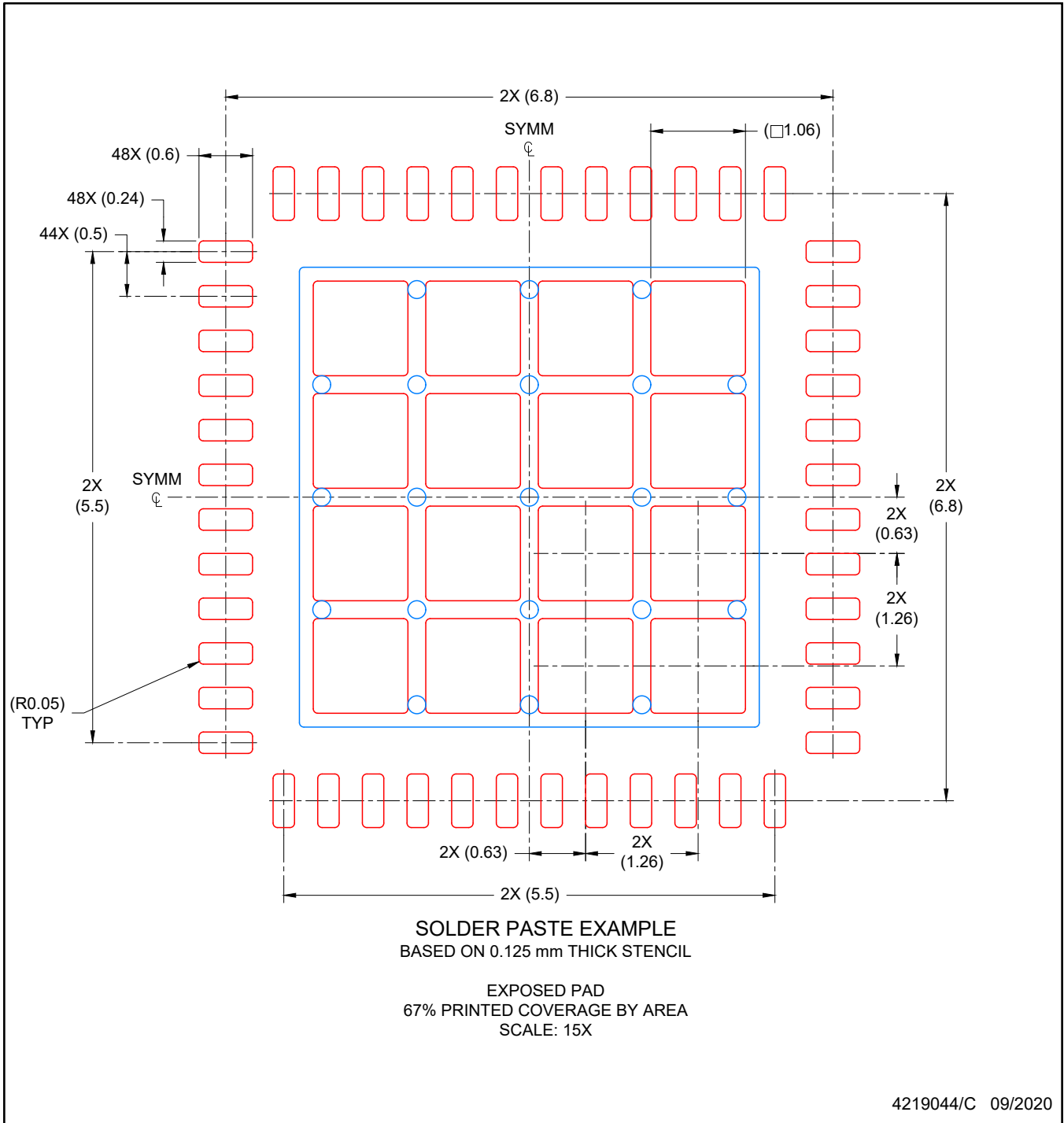
4. This package is designed to be soldered to a thermal pad on the board. For more information, see Texas Instruments literature number SLUA271 ([www.ti.com/lit/slua271](http://www.ti.com/lit/slua271)).
5. Vias are optional depending on application, refer to device data sheet. If any vias are implemented, refer to their locations shown on this view. It is recommended that vias under paste be filled, plugged or tented.

# EXAMPLE STENCIL DESIGN

RGZ0048A

VQFN - 1 mm max height

PLASTIC QUADFLAT PACK- NO LEAD



NOTES: (continued)

6. Laser cutting apertures with trapezoidal walls and rounded corners may offer better paste release. IPC-7525 may have alternate design recommendations.

## IMPORTANT NOTICE AND DISCLAIMER

TI PROVIDES TECHNICAL AND RELIABILITY DATA (INCLUDING DATASHEETS), DESIGN RESOURCES (INCLUDING REFERENCE DESIGNS), APPLICATION OR OTHER DESIGN ADVICE, WEB TOOLS, SAFETY INFORMATION, AND OTHER RESOURCES "AS IS" AND WITH ALL FAULTS, AND DISCLAIMS ALL WARRANTIES, EXPRESS AND IMPLIED, INCLUDING WITHOUT LIMITATION ANY IMPLIED WARRANTIES OF MERCHANTABILITY, FITNESS FOR A PARTICULAR PURPOSE OR NON-INFRINGEMENT OF THIRD PARTY INTELLECTUAL PROPERTY RIGHTS.

These resources are intended for skilled developers designing with TI products. You are solely responsible for (1) selecting the appropriate TI products for your application, (2) designing, validating and testing your application, and (3) ensuring your application meets applicable standards, and any other safety, security, or other requirements. These resources are subject to change without notice. TI grants you permission to use these resources only for development of an application that uses the TI products described in the resource. Other reproduction and display of these resources is prohibited. No license is granted to any other TI intellectual property right or to any third party intellectual property right. TI disclaims responsibility for, and you will fully indemnify TI and its representatives against, any claims, damages, costs, losses, and liabilities arising out of your use of these resources.

TI's products are provided subject to TI's Terms of Sale (<https://www.ti.com/legal/termsofsale.html>) or other applicable terms available either on [ti.com](https://www.ti.com) or provided in conjunction with such TI products. TI's provision of these resources does not expand or otherwise alter TI's applicable warranties or warranty disclaimers for TI products.

Mailing Address: Texas Instruments, Post Office Box 655303, Dallas, Texas 75265  
Copyright © 2021, Texas Instruments Incorporated