

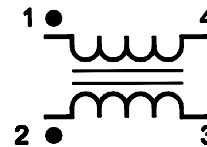
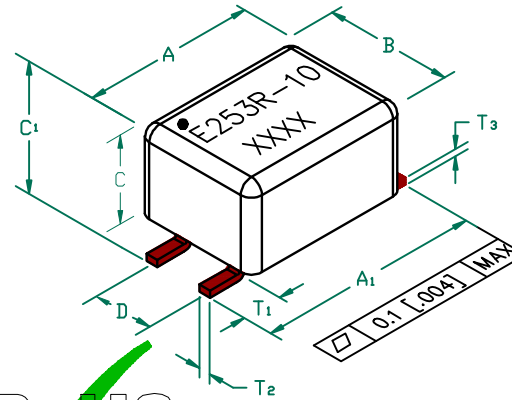


# CC2824E253R-10

**UNCONTROLLED DOCUMENT**

ELECTRICAL SPECIFICATION @ 25°C  
OPERATING TEMPERATURE RANGE: -40°C TO +125°C

PARAMETER SYMBOL	TEST LEADS	CONDITIONS	REQUIREMENTS		
			MIN	TYP	MAX
Lp (μH)	1-4/2-3	@ 100KHz/ 10mV	17.5	25	32.5
L LEAKAGE (μH)	1-4 (s' 2-3)	@ 100KHz/ 10mV		1.50	
TRP				1 : 1 +/- 5%	
DCR(Ω)	1-4/2-3			0.13	0.26
Hi-pot	wdg-wdg	(Vac) .5mA, 2sec.	250		
RATED CURRENT (mA)					800
RATED VOLTAGE (Vdc)					80



**PHYSICAL DIMENSIONS:**

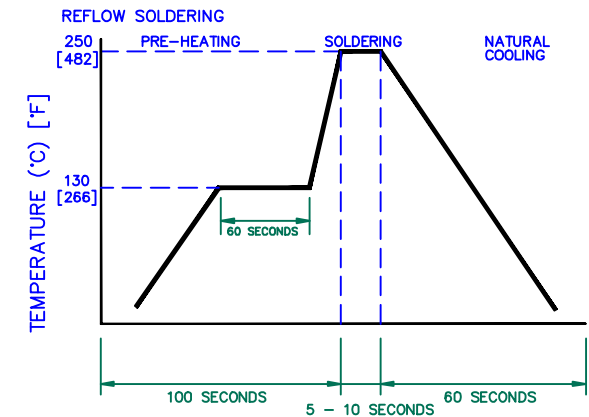
A	7.50 [0.295]	+	MAX.
A <sub>1</sub>	9.00 [0.354]	+	0.40 [0.016]
B	5.50 [0.217]	+	MAX.
C	3.80 [0.150]	+	MAX.
C <sub>1</sub>	4.90 [0.193]	+	MAX.
D	2.54 [0.100]	+	0.10 [0.004]
T <sub>1</sub>	1.75 [0.069]	+	TYP.
T <sub>2</sub>	0.50 [0.020]	+	0.10 [0.004]
T <sub>3</sub>	0.30 [0.012]	+	0.10 [0.004]

WEIGHT/1000 0.28 kgs [0.62 Lbs]

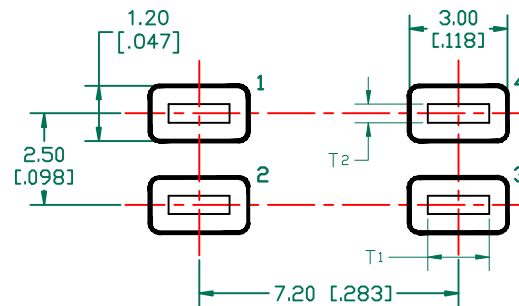
NOTES: UNLESS OTHERWISE SPECIFIED

1. TAPED AND REELED ON 13" REELS, 1500 PCS/REEL.
2. OPEN BOTTOM CONSTRUCTION.

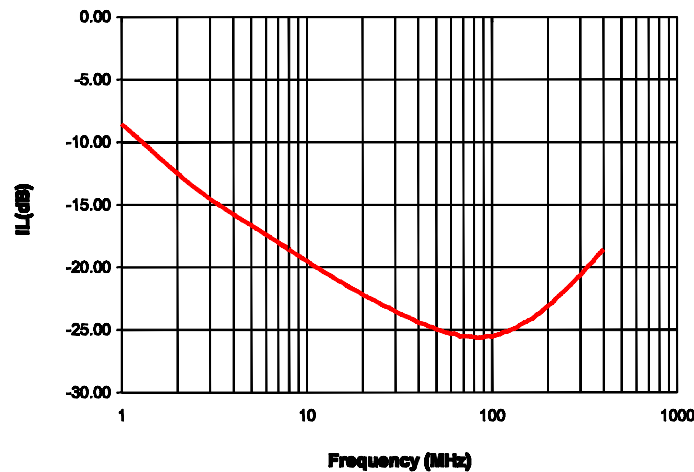
**RECOMMENDED SOLDERING CONDITIONS**



**LAND PATTERNS FOR REFLOW SOLDERING**



Typical Insertion Loss @ 50 ohm



DIMENSIONS ARE IN mm [INCHES].				This print is the property of Laird Tech. and is loaned in confidence subject to return upon request and with the understanding that no copies shall be made without the written consent of Laird Tech. All rights to design or invention are reserved.			
E	ADD RATING VOLTAGE	07/25/13	QIU	PROJECT/PART NUMBER:	REV	PART TYPE:	DRAWN BY:
D	CHANGE THE INDUTANCE TEST VOLTAGE	03/11/10	JUN	CC2824E253R-10	E	ASSEMBLY	JRK
C	UPDATE COMPANY LOGO	04/08/09	JRK	DATE:	SCALE:	NTS	SHEET:
B	UPDATE COMPANY LOGO	05/09/07	JRK	06/08/05			
A	ORIGINAL DRAFT	06/08/05	JRK	CAD #	TOOL #		1 of 1
REV	DESCRIPTION	DATE	INT	CC2824E253R-10-E			

