

**WHITE LED STEP-UP CONVERTER****AP3009****General Description**

The AP3009 is an inductor-based DC/DC converter designed to drive up to six white LEDs in series for backlight. Only one feedback resistor is needed to control the LED current and obtain satisfied brightness.

A constant frequency 1.2MHz PWM control scheme is employed in this IC, which means the tiny external components can be used. In fact, 1mm tall inductor and 0.22 $\mu$ F output capacitor for the typical application is very appropriate. Additionally, the schottky diode in boost circuit is integrated in this chip. AP3009 also provide a disable port to ease its use for different systems.

The over output voltage protection is equipped in AP3009. When any LED is broken or in other abnormal conditions, the output voltage will be clamped to 30V.

The AP3009 is available in standard SOT-23-6 package.

**Features**

- Inherently Uniform LED Current
- High Efficiency: 83% Typical
- No Need for Extra Schottky Diode
- Over Output Voltage Protection
- Drives 2 to 6 LEDs
- Fast 1.2MHz Switching Frequency
- Uses Tiny 1mm Tall Inductor
- Requires Only 0.22 $\mu$ F Output Capacitor

**Applications**

- Cellular Phones
- Digital Cameras
- LCD modules
- GPS Receivers
- PDAs, Handheld Computers

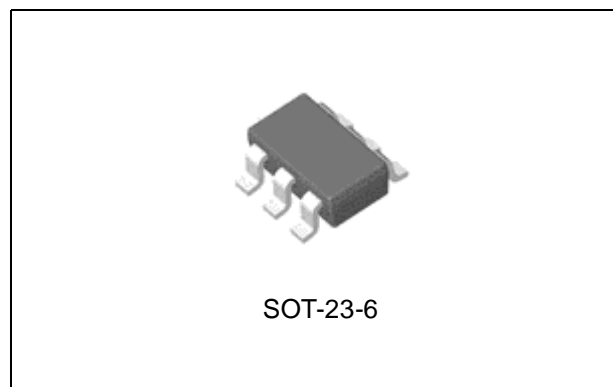


Figure 1. Package Type of AP3009

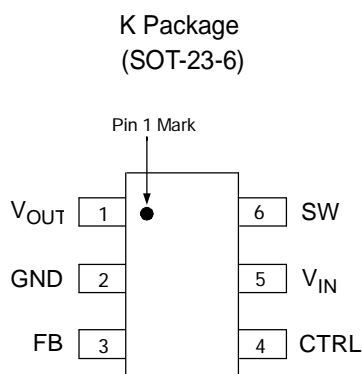
**WHITE LED STEP-UP CONVERTER**
**AP3009**
**Pin Configuration**


Figure 2. Pin Configuration of AP3009 (Top View)

**Pin Description**

Pin Number	Pin Name	Function
1	V <sub>OUT</sub>	Output Pin. Connected to the cathode of internal schottky diode
2	GND	Ground Pin
3	FB	Voltage Feedback. Reference voltage is 200mV
4	CTRL	Shutdown and Dimming Pin. Connect to 1.8V or higher to enable device; Connect to 50mV or less to disable device; Connect to a voltage between 1.8V and 50mV to achieve linear dimming
5	V <sub>IN</sub>	Input Supply Pin. Must be locally bypassed
6	SW	Switch Pin. Connect external inductor

**WHITE LED STEP-UP CONVERTER**

**AP3009**

**Functional Block Diagram**

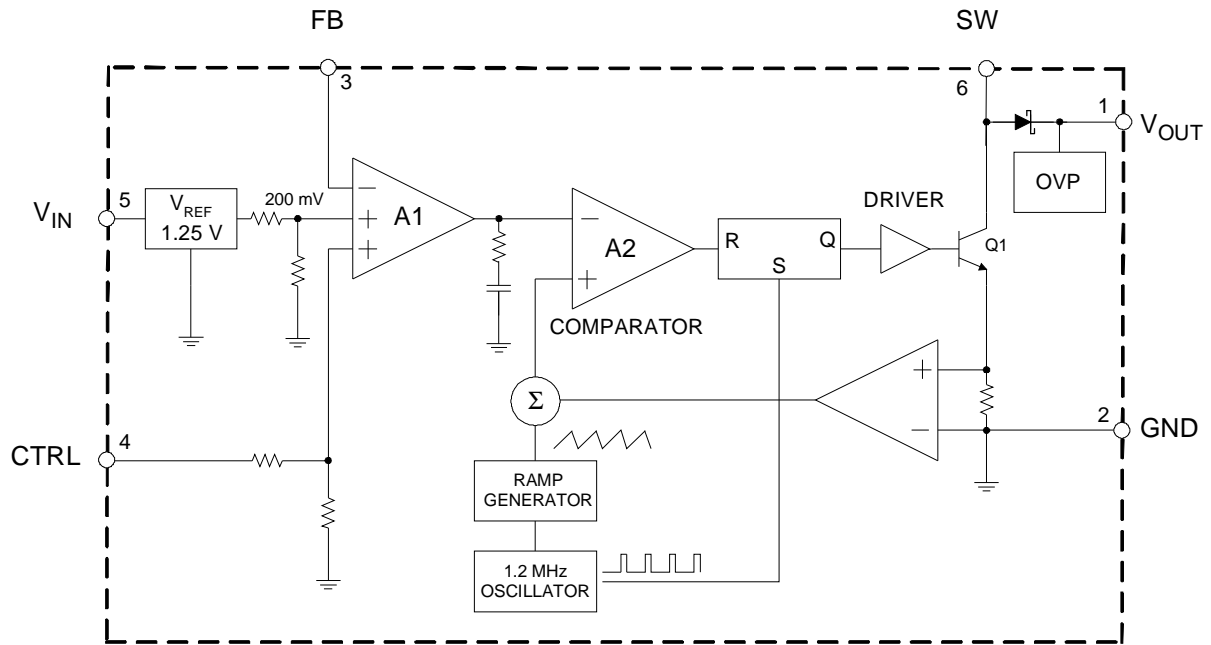
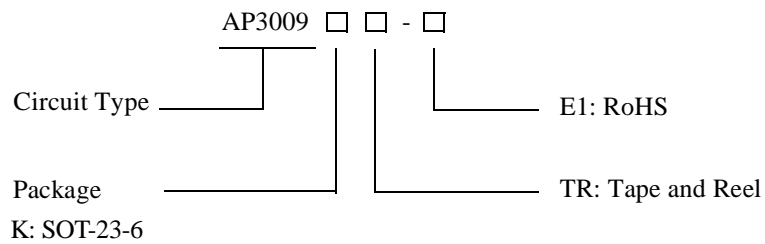


Figure 3. Functional Block Diagram of AP3009

**Ordering Information**



Package	Temperature Range	Part Number	Marking ID	Packing Type
SOT-23-6	-40 to 85°C	AP3009KTR-E1	E9T	Tape & Reel

BCD Semiconductor's products as designated with "E1" suffix in the part number are RoHS compliant.

**WHITE LED STEP-UP CONVERTER****AP3009****Absolute Maximum Ratings (Note 1)**

Parameter	Symbol	Value	Unit
Input Voltage	$V_{IN}$	20	V
SW Voltage		38	V
FB Voltage		20	V
CTRL Voltage		20	V
Thermal Resistance (Junction to Atmosphere, no Heat sink)	$\theta_{JA}$	265	°C/W
Operating Junction Temperature		150	°C
Storage Temperature Range	$T_{STG}$	-65 to 150	°C
Lead Temperature (Soldering, 10sec)	$T_{LEAD}$	260	°C
ESD (Machine Model)		250	V
ESD (Human Body Model)		2000	V

Note 1: Stresses greater than those listed under "Absolute Maximum Ratings" may cause permanent damage to the device. These are stress ratings only, and functional operation of the device at these or any other conditions beyond those indicated under "Recommended Operating Conditions" is not implied. Exposure to "Absolute Maximum Ratings" for extended periods may affect device reliability.

**Recommended Operating Conditions**

Parameter	Symbol	Min	Max	Unit
Operating Temperature Range	$T_{OP}$	-40	85	°C
Input Voltage	$V_{IN}$	2.5	16	V
CTRL Voltage	$V_{CTRL}$		16	V



**WHITE LED STEP-UP CONVERTER**

**AP3009**

**Electrical Characteristics**

( $V_{IN}=3V$ ,  $V_{CTRL}=3V$ ,  $T_A=25^{\circ}C$ , unless otherwise specified.)

Parameter	Symbol	Conditions	Min	Typ	Max	Unit
Minimum Operating Voltage	$V_{IN(min)}$		2.5			V
Maximum Operating Voltage	$V_{IN(max)}$				16	
Feedback Voltage	$V_{FB}$	$I_{OUT}=20mA$ , 4 LEDs, $T_A=-40^{\circ}C$ to $85^{\circ}C$	188	200	212	mV
FB Pin Bias Current	$I_{FB}$			35	100	nA
Supply Current	$I_{CC}$	$V_{FB}=V_{IN}$ , Not Switching	1.9	2.6	3.3	mA
Supply Current	$I_Q$	$V_{CTRL}=0V$	2.0	3.2	5.0	$\mu A$
Switching Frequency	f		0.8	1.2	1.6	MHz
Maximum Duty Cycle	$D_{MAX}$		90	93		%
Switch Current Limit (Note 2)	$I_{LIMIT}$	$T_A=25^{\circ}C$ , $D=40\%$		560		mA
		$T_A=25^{\circ}C$ , $D=80\%$		465		
Switch $V_{CE}$ Saturation Voltage	$V_{CESAT}$	$I_{SW}=250mA$		300		mV
Switch Leakage Current		$V_{SW}=5V$		0.01	5	$\mu A$
CTRL Pin Voltage	$V_{CTRL}$	High	1.8			V
		Low			0.05	
CTRL Pin Bias Current	$I_{CTRL}$		48	60	72	$\mu A$
		$T_A=85^{\circ}C$	40	50	60	
		$T_A=-40^{\circ}C$	60	75	90	
Schottky Forward Drop	$V_{DROP}$	$I_D=150mA$		0.7		V
Schottky Leakage Current		$V_R=25V$			4	$\mu A$
		$V_R=30V$		90		
Thermal Resistance (Junction to Case)	$\theta_{JC}$			60.84		$^{\circ}C/W$

Note 2: The Switch Current Limit is related to Duty Cycle. Please refer to Figure 16 for detail.



**WHITE LED STEP-UP CONVERTER**

**AP3009**

**Typical Performance Characteristics**

( $V_F$  of WLED is 3.45V @  $I_F=20mA$ , unless otherwise noted)

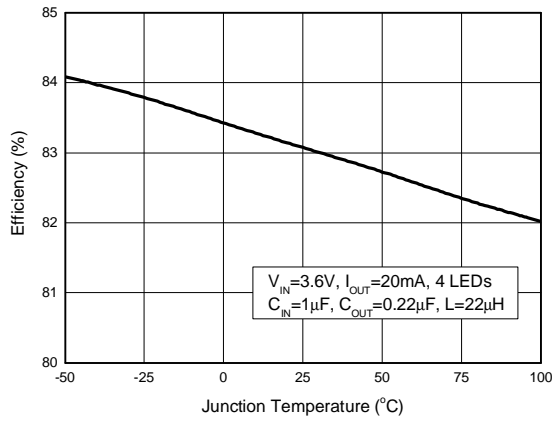


Figure 4. Efficiency vs. Junction Temperature

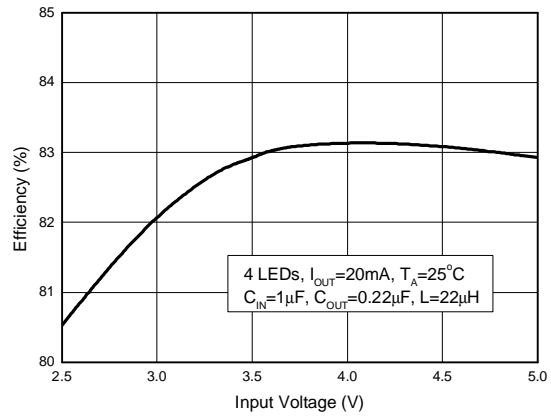


Figure 5. Efficiency vs. Input Voltage

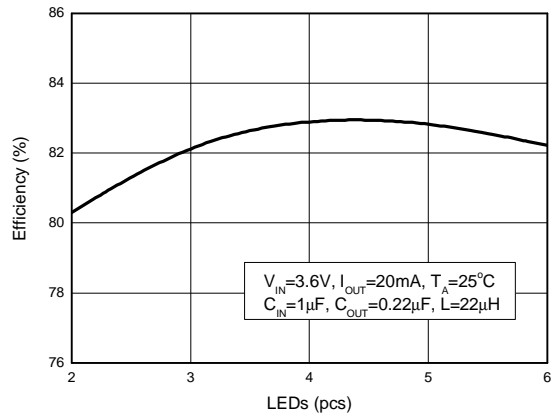


Figure 6. Efficiency vs. LED's Number

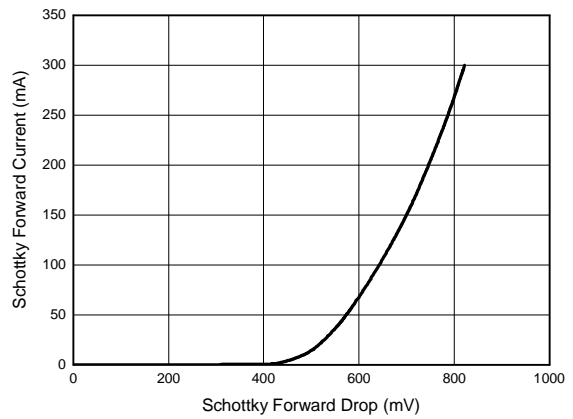


Figure 7. Schottky Forward Current vs. Schottky Forward Drop



**WHITE LED STEP-UP CONVERTER**

**AP3009**

**Typical Performance Characteristics (Continued)**

( $V_F$  of WLED is 3.45V @  $I_F=20mA$ , unless otherwise noted )

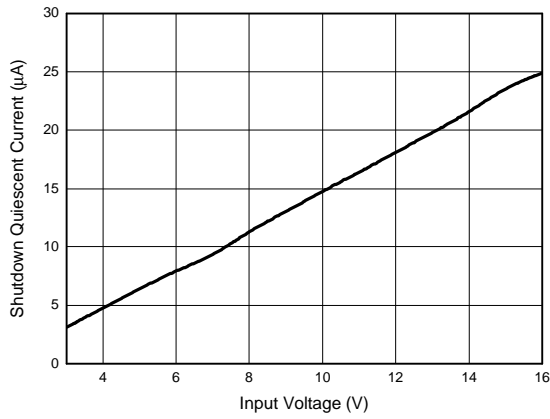


Figure 8. Shutdown Quiescent Current vs. Input Voltage

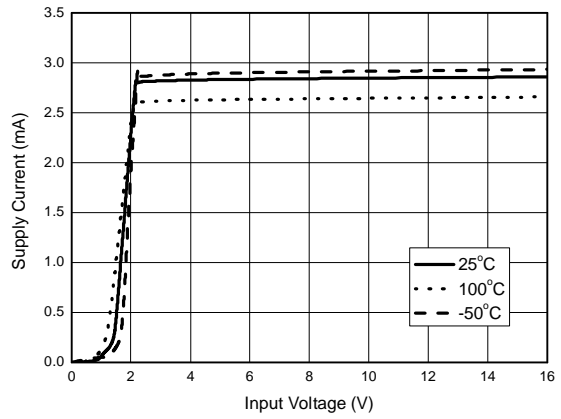


Figure 9. Supply Current vs. Input Voltage

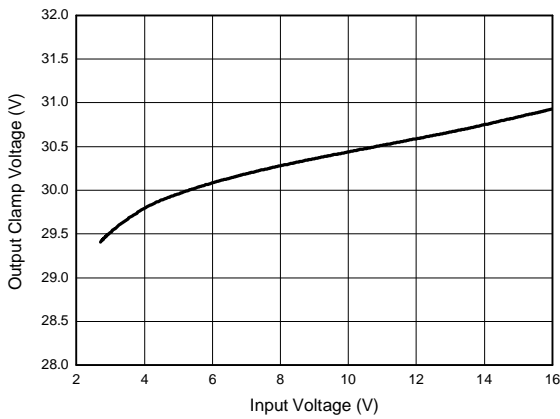


Figure 10. Output Clamp Voltage vs. Input Voltage

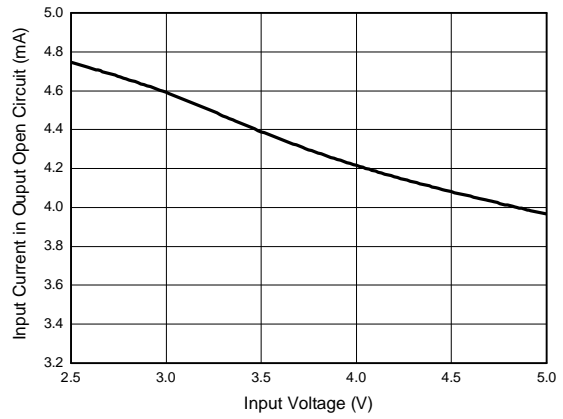


Figure 11. Input Current in Output Open Circuit vs. Input Voltage



**WHITE LED STEP-UP CONVERTER**

**AP3009**

**Typical Performance Characteristics (Continued)**

( $V_F$  of WLED is 3.45V @  $I_F=20mA$ , unless otherwise noted )

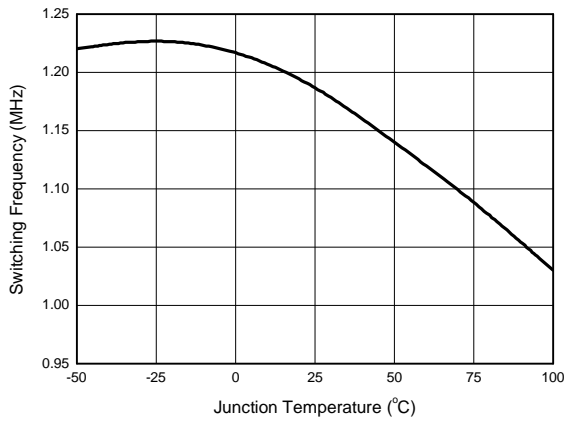


Figure 12. Switching Frequency vs. Junction Temperature

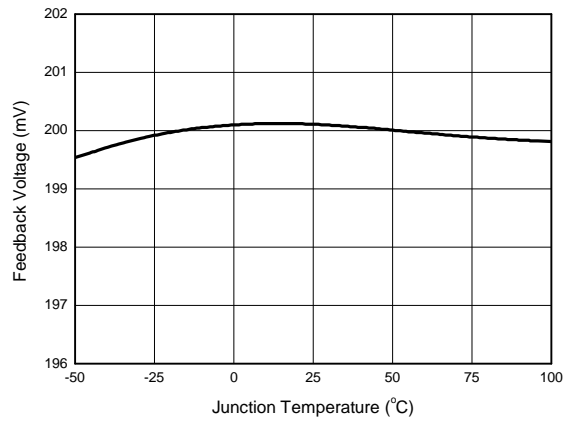


Figure 13. Feedback Voltage vs. Junction Temperature

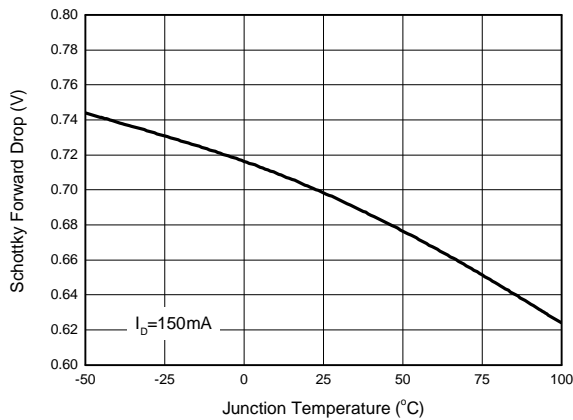


Figure 14. Schottky Forward Drop vs. Junction Temperature

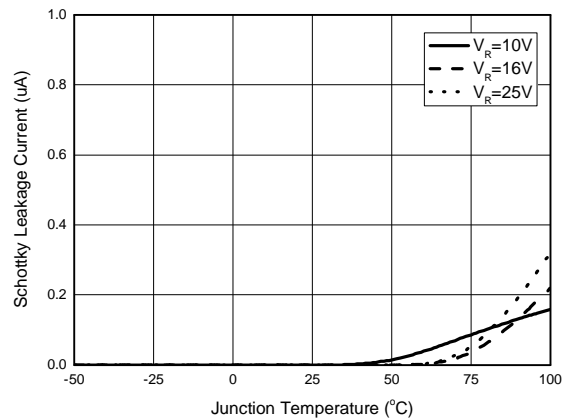


Figure 15. Schottky Leakage Current vs. Junction Temperature





**WHITE LED STEP-UP CONVERTER**

**AP3009**

**Typical Performance Characteristics (Continued)**

( $V_F$  of WLED is 3.45V @  $I_F=20mA$ , unless otherwise noted )

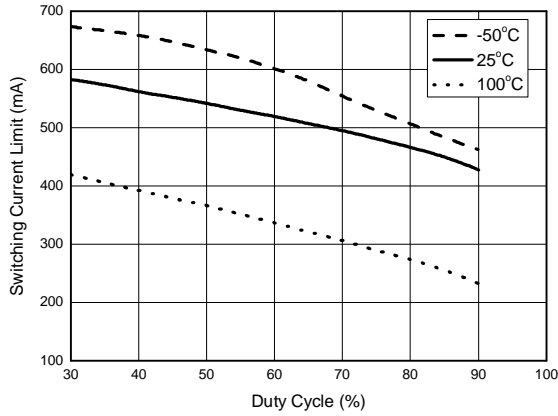


Figure 16. Switch Current Limit vs. Duty Cycle

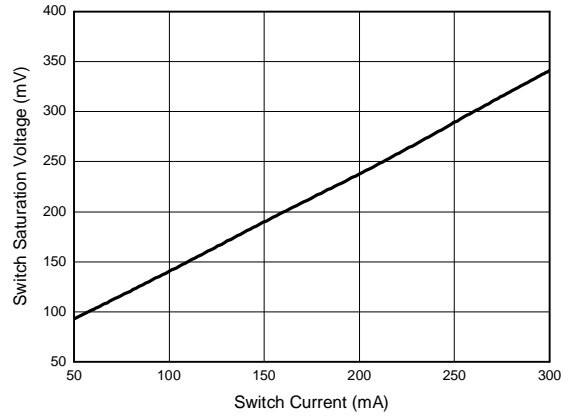


Figure 17. Switch Saturation Voltage vs. Switch Current

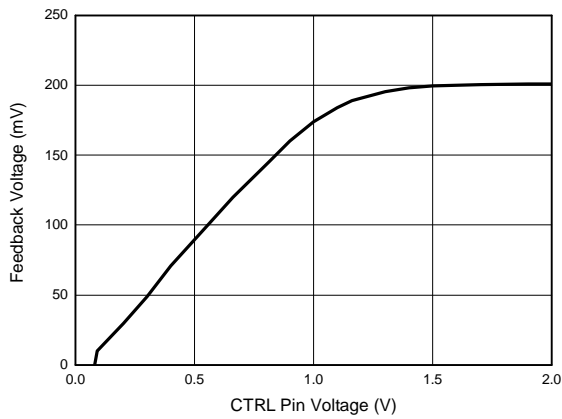
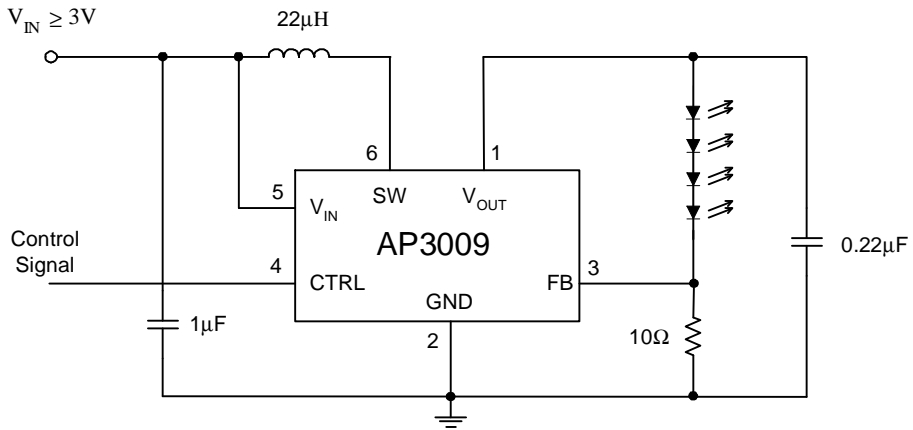


Figure 18. Feedback Voltage vs. CTRL Pin Voltage

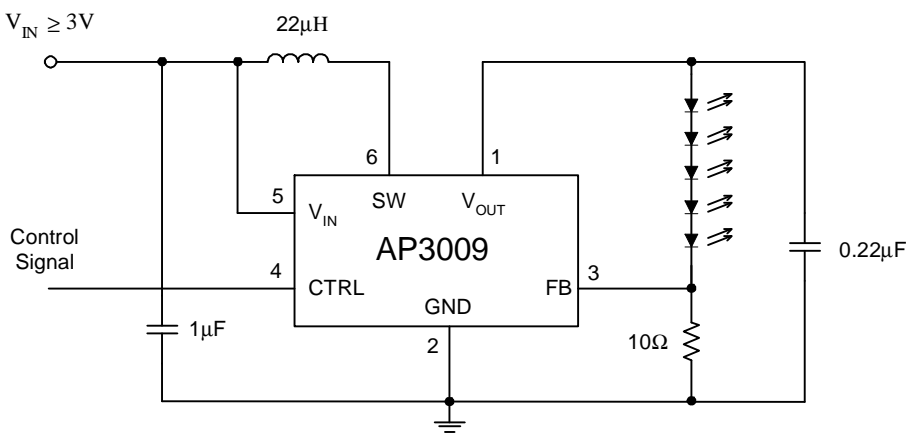
**WHITE LED STEP-UP CONVERTER**

**AP3009**

**Typical Application**

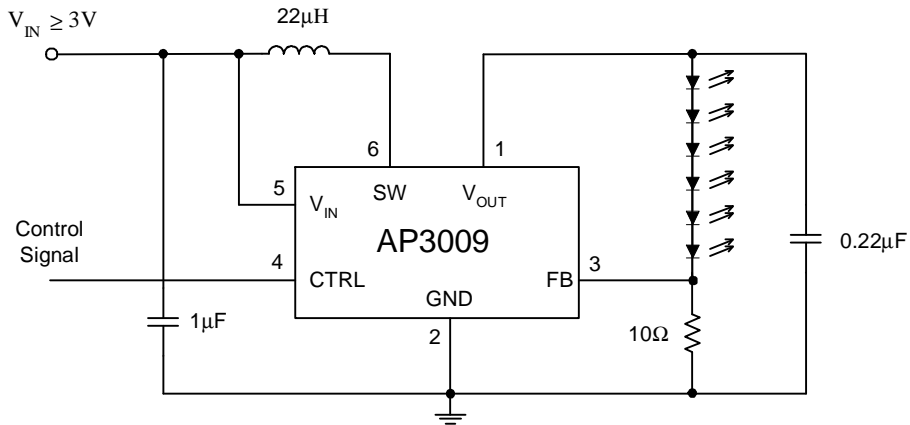


a. Four White LEDs Driver



b. Five White LEDs Driver

**Typical Application (Continued)**



c. Six White LEDs Driver

C: X5R or X7R Dielectric  
 L: SUMIDA CDRH5D28R-220NC or Equivalent  
 All these circuits can work in full temperature

Figure 19. Typical White LED Drivers



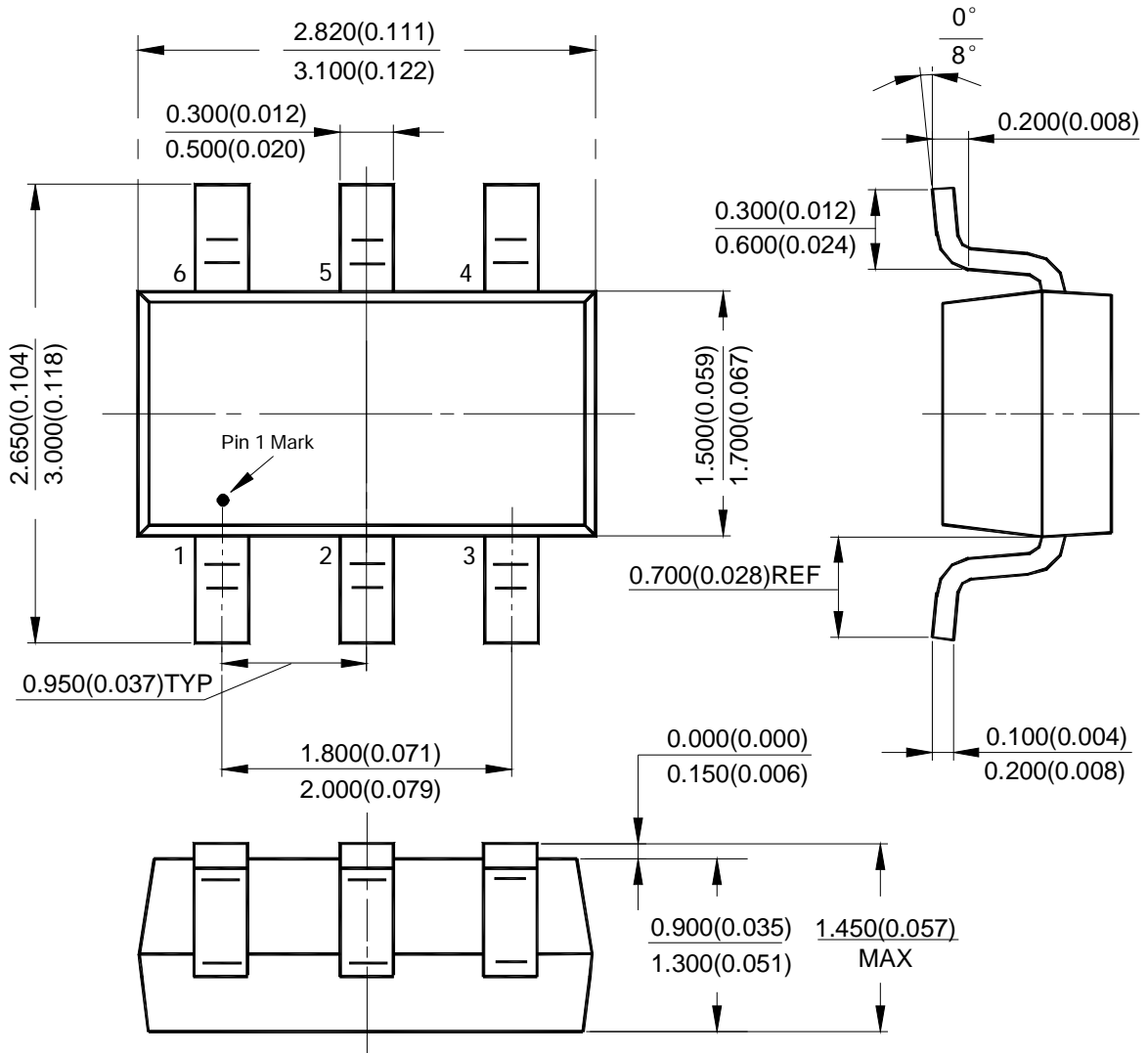
**WHITE LED STEP-UP CONVERTER**

**AP3009**

**Mechanical Dimensions**

**SOT-23-6**

**Unit: mm(inch)**

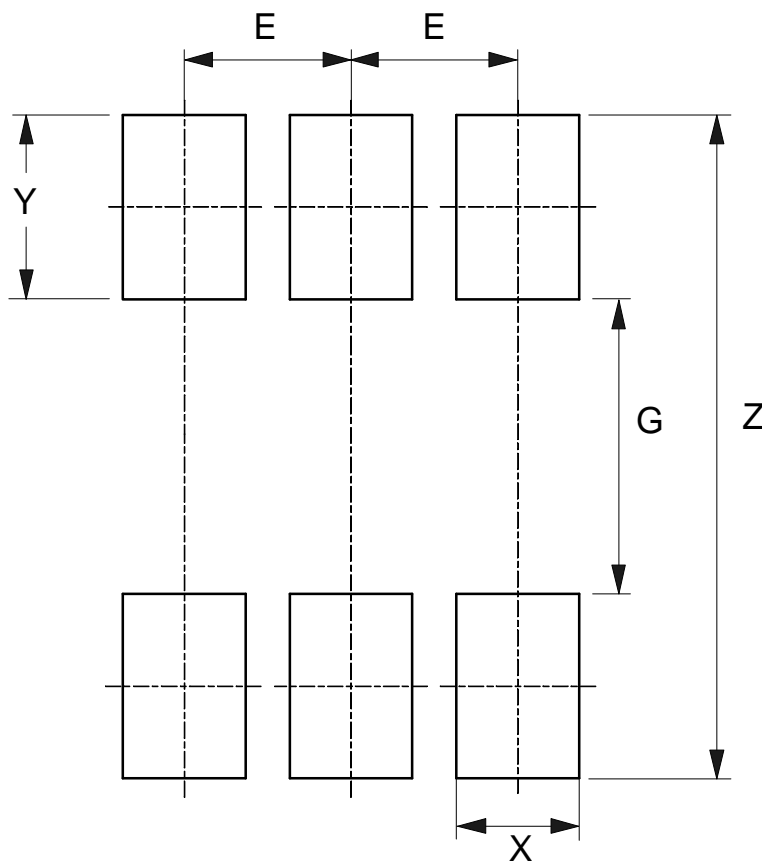


**WHITE LED STEP-UP CONVERTER**

**AP3009**

**Mounting Pad Layout**

**SOT-23-6**



Dimensions	Z (mm)/(inch)	G (mm)/(inch)	X (mm)/(inch)	Y (mm)/(inch)	E (mm)/(inch)
Value	3.600/0.142	1.600/0.063	0.700/0.028	1.000/0.039	0.950/0.037



## BCD Semiconductor Manufacturing Limited

<http://www.bcdsemi.com>

### IMPORTANT NOTICE

BCD Semiconductor Manufacturing Limited reserves the right to make changes without further notice to any products or specifications herein. BCD Semiconductor Manufacturing Limited does not assume any responsibility for use of any its products for any particular purpose, nor does BCD Semiconductor Manufacturing Limited assume any liability arising out of the application or use of any its products or circuits. BCD Semiconductor Manufacturing Limited does not convey any license under its patent rights or other rights nor the rights of others.

---

#### MAIN SITE

##### - Headquarters

##### BCD (Shanghai) Micro-electronics Limited

No. 1600, Zi Xing Road, Shanghai ZiZhu Science-based Industrial Park, 200241, P. R. C.  
Tel: +86-021-2416-2266, Fax: +86-021-2416-2277

##### - Wafer Fab

##### Shanghai SIM-BCD Semiconductor Manufacturing Co., Ltd.

800 Yishan Road, Shanghai 200233, China  
Tel: +021-6485-1491, Fax: +86-021-5450-0008

#### REGIONAL SALES OFFICE

##### Shenzhen Office

##### Shanghai SIM-BCD Semiconductor Manufacturing Co., Ltd., Shenzhen Office

Unit A Room 1203, Skyworth Bldg., Gaoxin Ave.1.S., Nanshan District  
Shenzhen 518057, China

Tel: +86-0755-8660-4900, Fax: +86-0755-8660-4958

##### Taiwan Office (Taipei)

##### BCD Semiconductor (Taiwan) Company Limited

3F, No.17, Lane 171, Sec. 2, Jiu-Zong Rd., Nei-Hu Dist., Taipei(114), Taiwan, R.O.C  
Tel: +886-2-2656-2808

Fax: +886-2-2656-2806/26562950

##### Taiwan Office (Hsinchu)

##### BCD Semiconductor (Taiwan) Company Limited

8F, No.176, Sec. 2, Gong-Dao 5th Road, East District  
HsinChu City 300, Taiwan, R.O.C

Tel: +886-3-5160181, Fax: +886-3-5160181

##### USA Office

##### BCD Semiconductor Corp.

48460 Kato Road, Fremont, CA 94538, USA  
Tel: +1-510-668-1950

Fax: +1-510-668-1990

##### Korea Office

##### BCD Semiconductor Limited Korea office.

Room 101-1112, Digital-Empire II, 486 Sin-dong,  
Yeongtong-Gu, Suwon-city, Gyeonggi-do, Korea

Tel: +82-31-695-8430